

GENERAL INFORMATION

The device RJ200 is designed for safe work when loading and unloading of vehicles and levellers.

Anchor point for retractable type fall arrester is at 6.25m and enables operation at 5.00m from the “zero” level and within a 3.50m radius from the device's arm rotation axis.

For operation with the device RJ200 it is recommended to use retractable type fall arrester CR240/10m.

Retractable type fall arrester is installed on rotary arm.

User attaches snap hook of retractable type fall arrester to full body harness.

The device RJ200 complies with EN 795:2012 for Class B devices.

The device RJ200 is designed to provide protection against fall from a height only for one person.

The device should be placed in one location. If needed it can be moved to another location of adequate characteristics.

SAFETY INSTRUCTIONS

General information

The device RJ200 is designed to be used only for purposes described in this instruction manual. It is designed to provide safety when working on a height during loading or unloading of vehicles and levellers.

- The product must not be used to lift or handle any loads.
- Do not modify or replace any components of the devices on your own, as this may affect characteristics of the device and the user's safety.
- Be particularly careful when handling the device from one location of its use to another. If any damages to the product are found, the affected part must be replaced.
- It is necessary to draw a rescue plan for the location where the device is to be used in case if the device RJ200 arrests a fall.
- It is recommended to use an additional line for lowering of snap hook of retractable type fall arrester to avoid continuous tension of winding spring of the device.

Inspection of products and devices before use

Before installation of the device always check whether all components are complete and in operating condition. Please check if the elements are not damaged or corroded.

Never use damaged or corroded elements, as this may affect the user's safety.

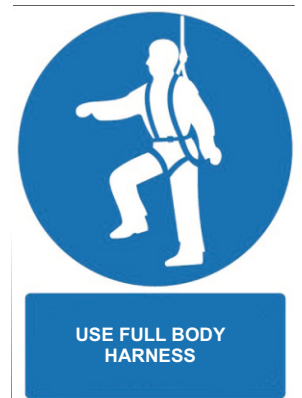
Prohibition against modification of the device

Do not replace original elements of the devices for other that are not designed for this device.

Never modify or repair the original elements of the device on your own.

Obligation to use individual fall protection equipment when installing the device

Always use individual fall protection equipment during installation of the product, when risk of a fall from a height is present. This also applies to working on aerial work platforms (“manlifts”).



Inspection of the device after arresting a fall

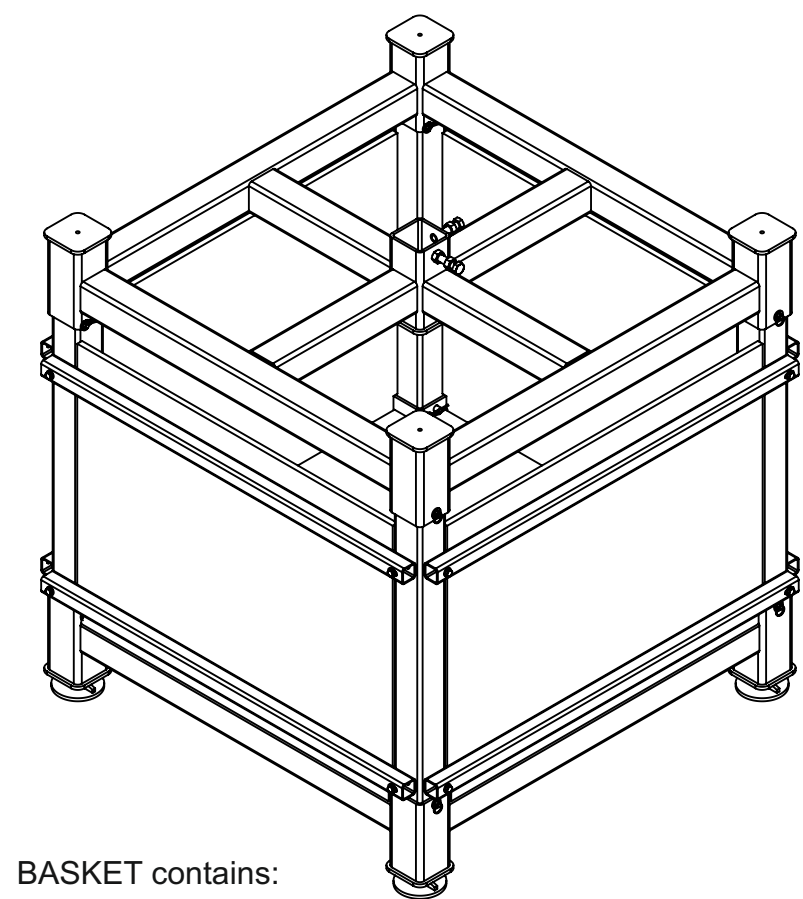
When the device RJ200 has been used to arrest a fall, it must be withdrawn from use immediately and inspected by a competent person. In case of any doubts please contact the manufacturer.

Additional important information

- Before working with use of the device RJ200 always draw a plan of a potential rescue action after arresting a fall.
- Use the device after inspection only.
- Limit the access of unauthorised personnel to working area of the device.
- Before working with use of the device RJ200 please check if all pins and cotters are present and installed correctly.
- Keep location where the device is used clean and tidy.

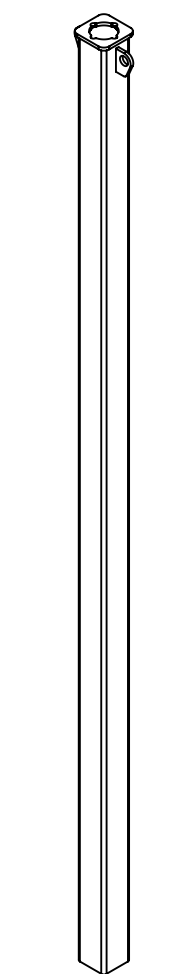
TECHNICAL DATA

Components of the device / configurations



BASKET contains:

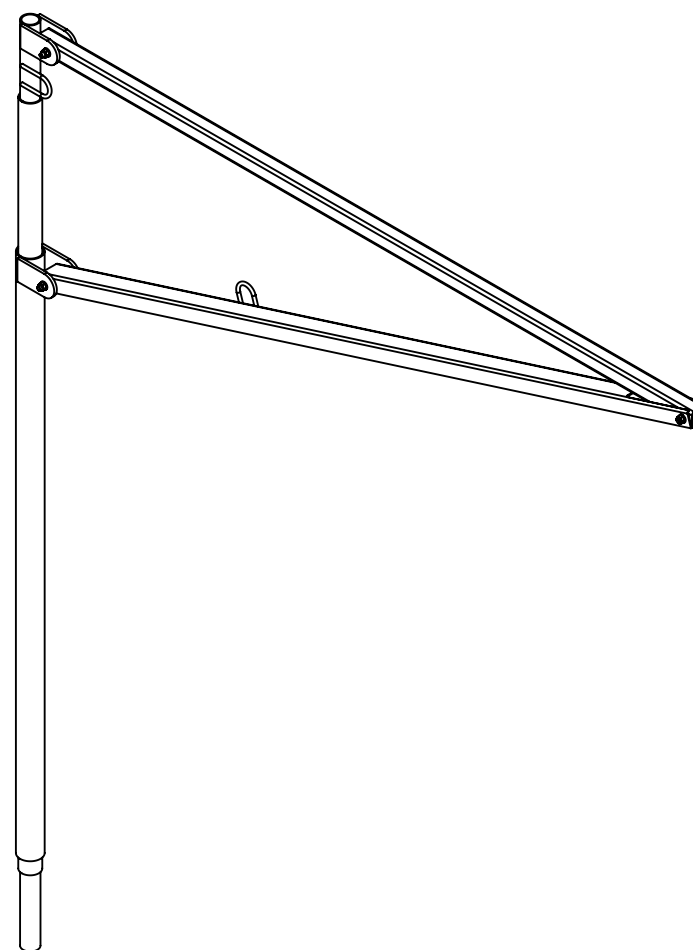
- RJ200.01.000 - 1pc.
- RJ200.02.000 - 4pcs.
- RJ200.03.000 - 4pcs.
- RJ200.04.000 - 1pc.
- RJ200.07.000 - 8pcs.
- RJ200.08.000 - 1pc.
- RJ200.09.000 - 4pcs.



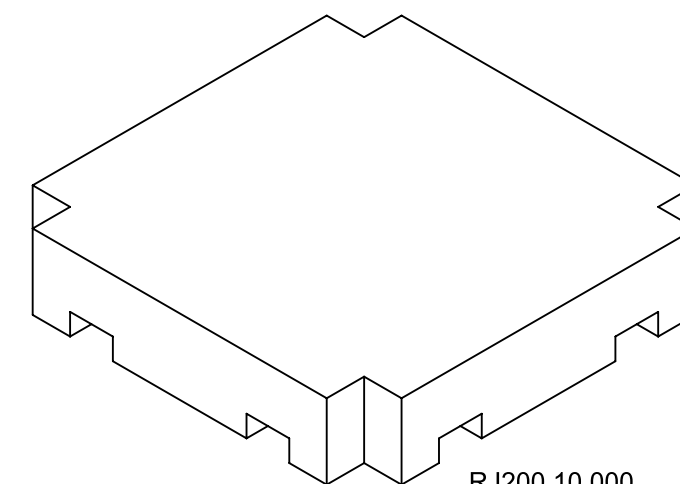
RJ200.05.000



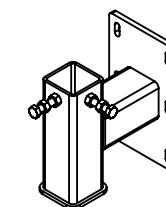
RJ200.05.000-B



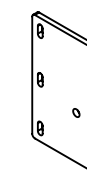
RJ200.06.000



RJ200.10.000



RJ200.11.000



RJ200.11.002

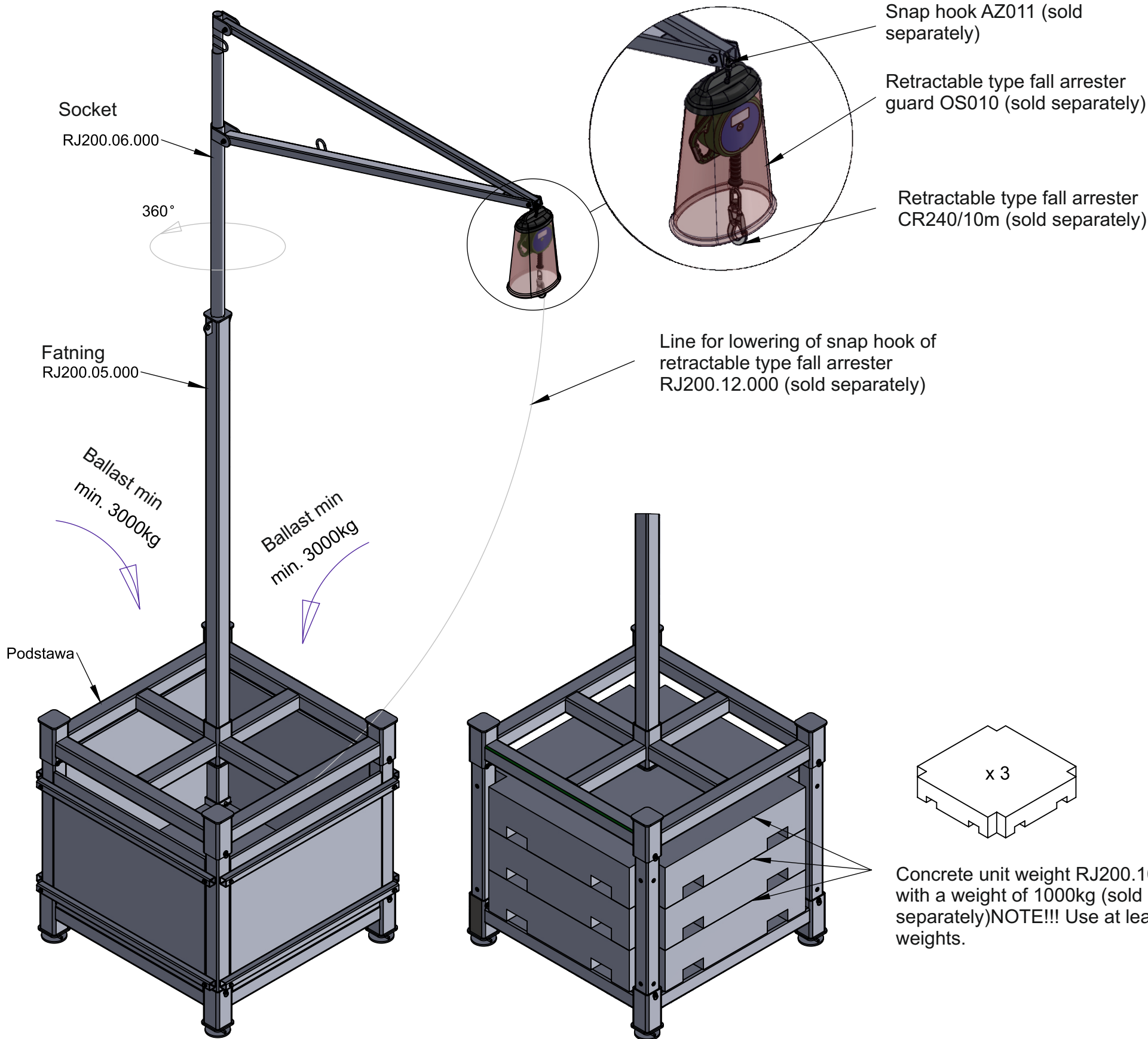
RJ200 – spare parts price list

No.	Part (drawing) number	Quantity in the set	Part name	Example uses						Weight of the set [kg]
				Method of use no. 1	Method of use no. 2	Method of use no. 3 (with socket)	Method of use no. 3B (with loosen socket)	Method of use no. 4	Method of use no. 5 and no. 6	
16	RJ200.11.002	1	Płyta (Plate)					x		11.900
15	RJ200.11.000	1	Gniazdo boczne (Side seat)					x	x	23.950
14	RJ200.10.000	3	Odważnik betonowy (Concrete unit weight)		x					3,000.000
13	RJ200.05.000-B		Gniazdo tracone (Housing tube)				x			2.125
12		16	Śruba M12x90 (Bolt)	x	x					
11		16	Podkładka M12 (Washer)	x	x					
10	ASB500-130	8	Locking pin	x	x					
9	RJ200.09.000	4	Płyta OSB #18 mm boczna (OSB side panel)	x	x					12.400
8	RJ200.08.000	1	Płyta OSB #18 mm dolna (OSB bottom panel)	x	x					20.200
7	RJ200.07.000	8	Belka (beam)	x	x					7.200
6	RJ200.06.000	1	Ramię (Arm)	x	x	x	x	x	x	65.000
5	RJ200.05.000	1	Gniazdo (Socket)	x	x	x		x	x	76.400
4	RJ200.04.000	1	Pokrywka (Cover)	x	x					138.000
3	RJ200.03.000	4	Noga (Leg)	x	x					23.800
2	RJ200.02.000	4	Podpora (Support)	x	x					1.690
1	RJ200.01.000	1	Podstawa (Base)	x	x					132.000

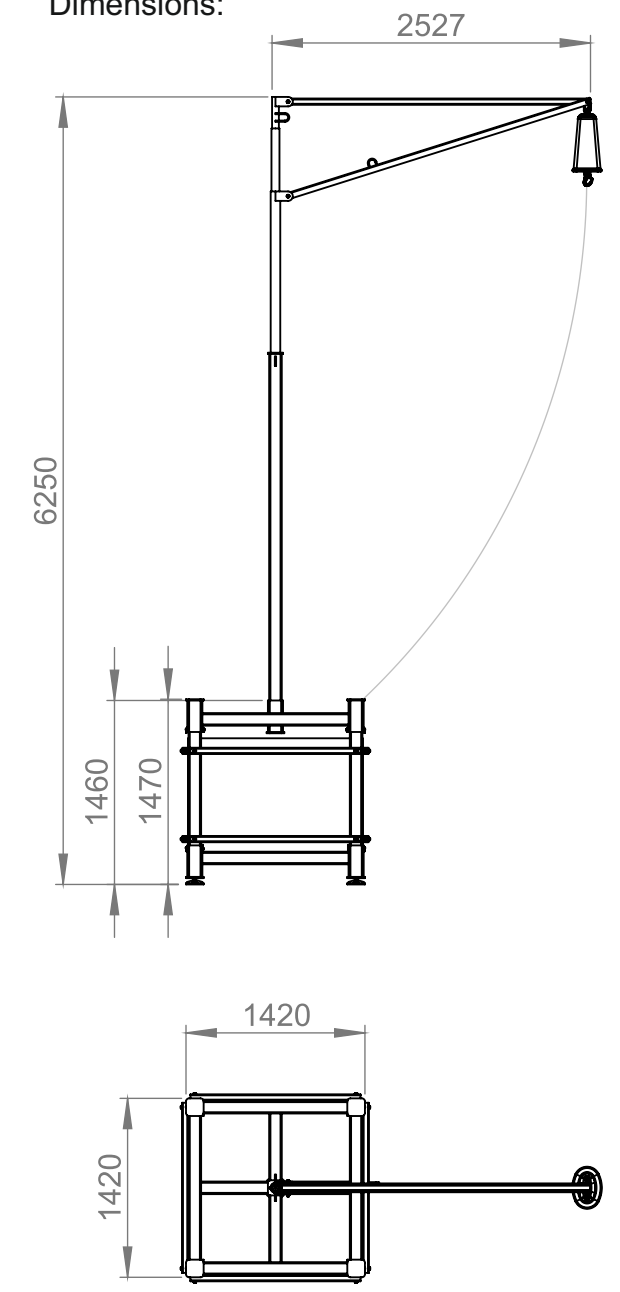
NOTE!!!

1. Refer to methods of use on the following pages.
2. Before use read instruction manual

TECHNICAL DATA
Components of the device / configurations



Technical parameters RJ200:
Dimensions:



WEIGHT:
Base - 500.0kg +/- 20.0kg
Socket - 76.4kg
Rotary arm - 65.0kg
Concrete unit weight - 1000.0kg +/- 20.0kg

CONDITIONS OF USE:
Weather conditions: (+50)°C; (-30)°C; humidity.
Static strength: min. 12 kN (in accordance with EN795:2012 Class B).
Number of co-users: 1

MATERIAL:
Powder coated steel

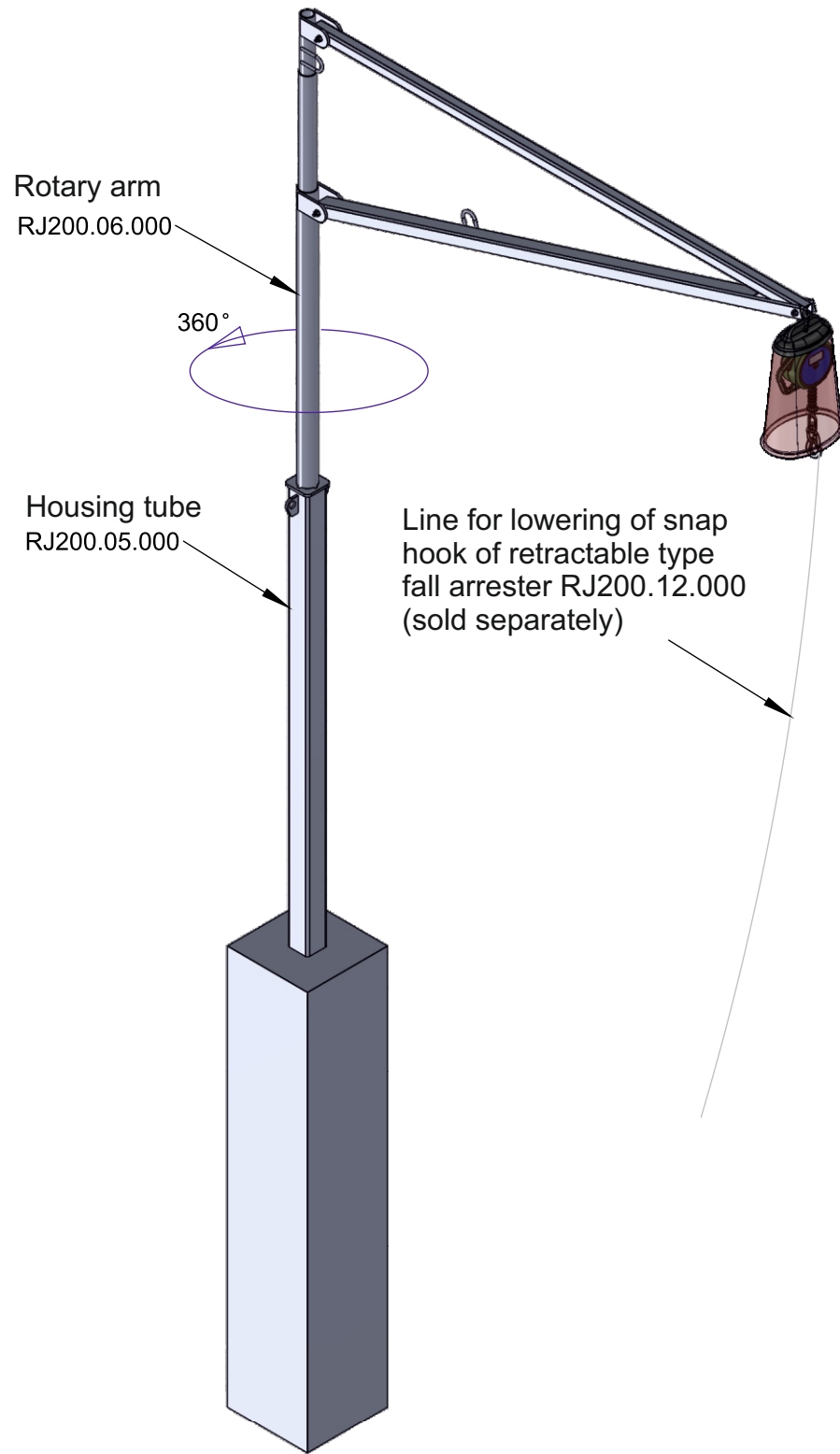
USE:
Loading / unloading of trucks
Inspection works on trucks
Works at a height

NOTE!!!
1. Refer to other methods of use on the following pages.
2. Before use read instruction manual.

METHOD OF USE NO. 1
The device RJ200 can be loaded with any ballast of a total weight of min. 3000kg. Ballast can be placed (poured) into the prepared case.

METHOD OF USE NO. 2
The device RJ200 can be loaded by specially prepared weights with a weight of 1000kg each. Place the weights in the case frame using forklift truck.
NOTE!!! Use at least 3 weights

TECHNICAL DATA
Components of the device / configurations



Line for lowering of snap hook of retractable type fall arrester RJ200.12.000 (sold separately)

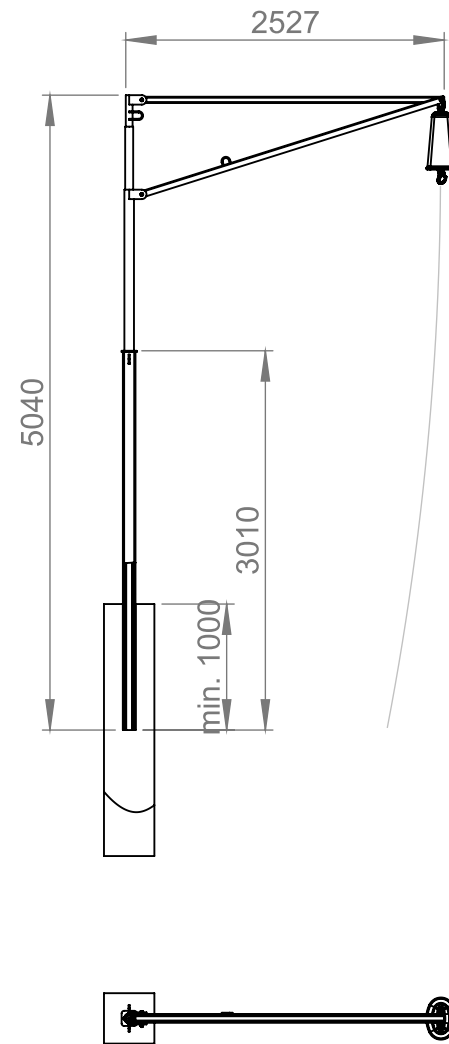
USE NO. 3

The device RJ200 can be used as an anchor point to be embedded in concrete elements (e.g. columns, attics, etc.).

Socket is embedded in a concrete structure, and arm can be moved between sockets.

NOTE!!! Minimum depth for embedding the socket in concrete is 1.0m.

Technical parameters RJ200:
Dimensions:



WEIGHT:
Socket - 76.4kg
Rotary arm - 65.0kg
CONDITIONS OF USE:
Weather conditions: (+50)°C; (-30)°C;
humidity.

Static strength: min. 12 kN (in accordance with EN795:2012 Class B).

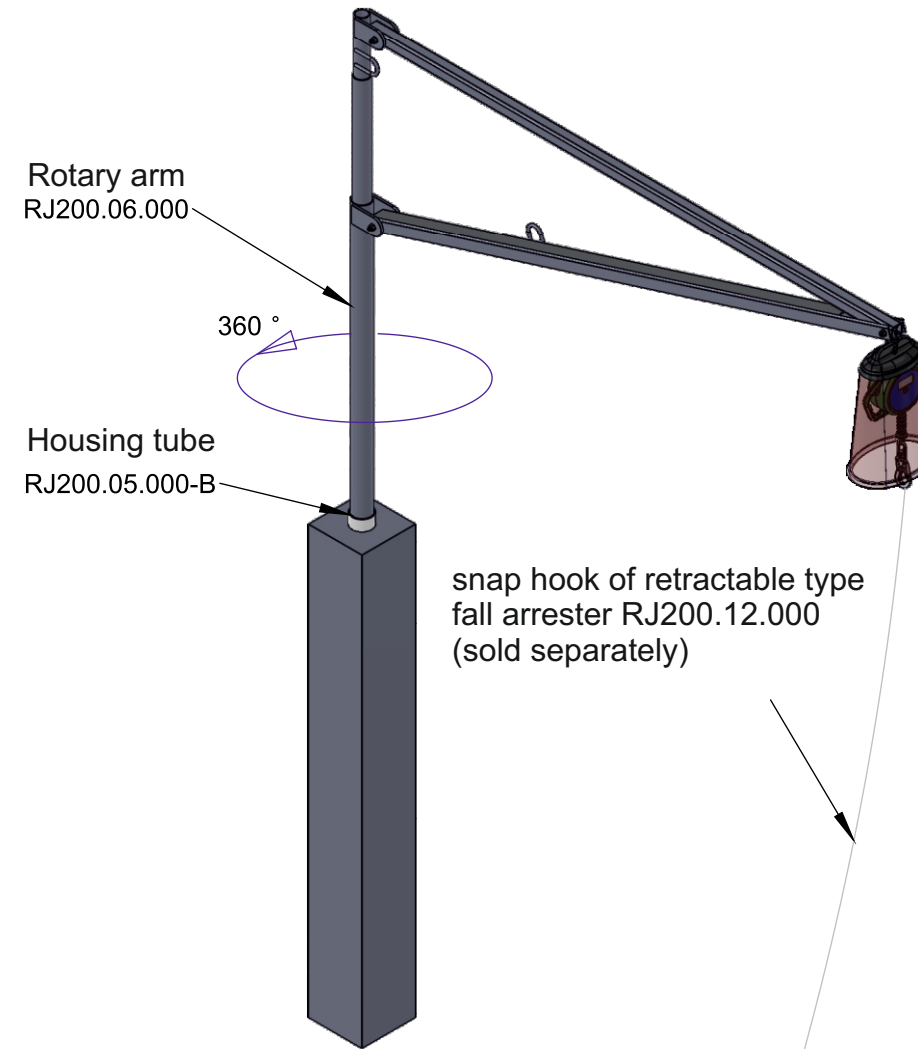
Number of co-users: 1

MATERIAL:

Powder coated steel

USE:

Construction works on construction site or boarding works
Works at a height



snap hook of retractable type fall arrester RJ200.12.000 (sold separately)

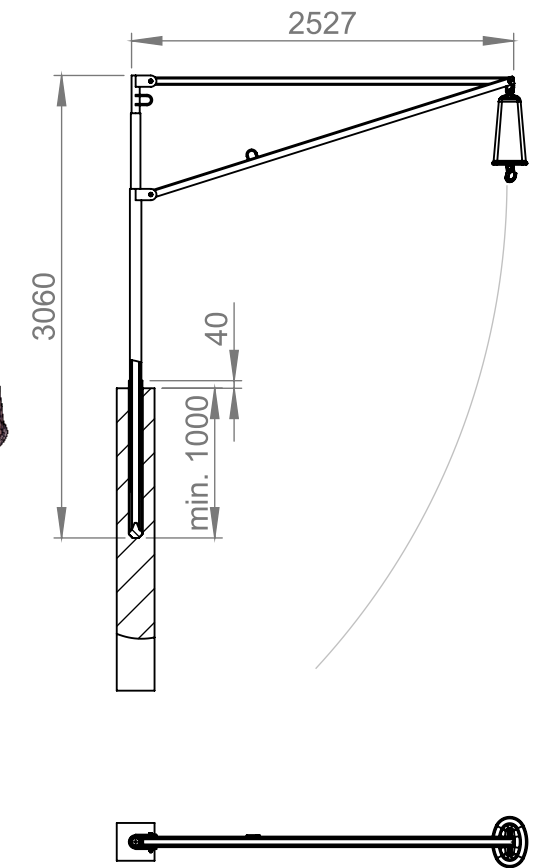
METHOD OF USE NO. 3B

The device RJ200 can be used as an anchor point to be embedded in concrete elements (e.g. columns, attics, etc.).

Loosen socket is embedded in a concrete structure, while arm can be moved between sockets. After work is completed the socket can be poured out with concrete and left in the structure.

NOTE!!! Minimum depth for embedding the socket in concrete is 1.0m.

Technical parameters RJ200:
Dimensions:



WEIGHT:

Loosen socket - 2.1kg

Rotary arm - 65.0kg

CONDITIONS OF USE:

Weather conditions: (+50)°C; (-30)°C;
humidity.

Static strength: min. 12 kN
(in accordance with EN795:2012 Class B).

Number of co-users: 1

MATERIAL:

Powder coated steel

Plastic

USE:

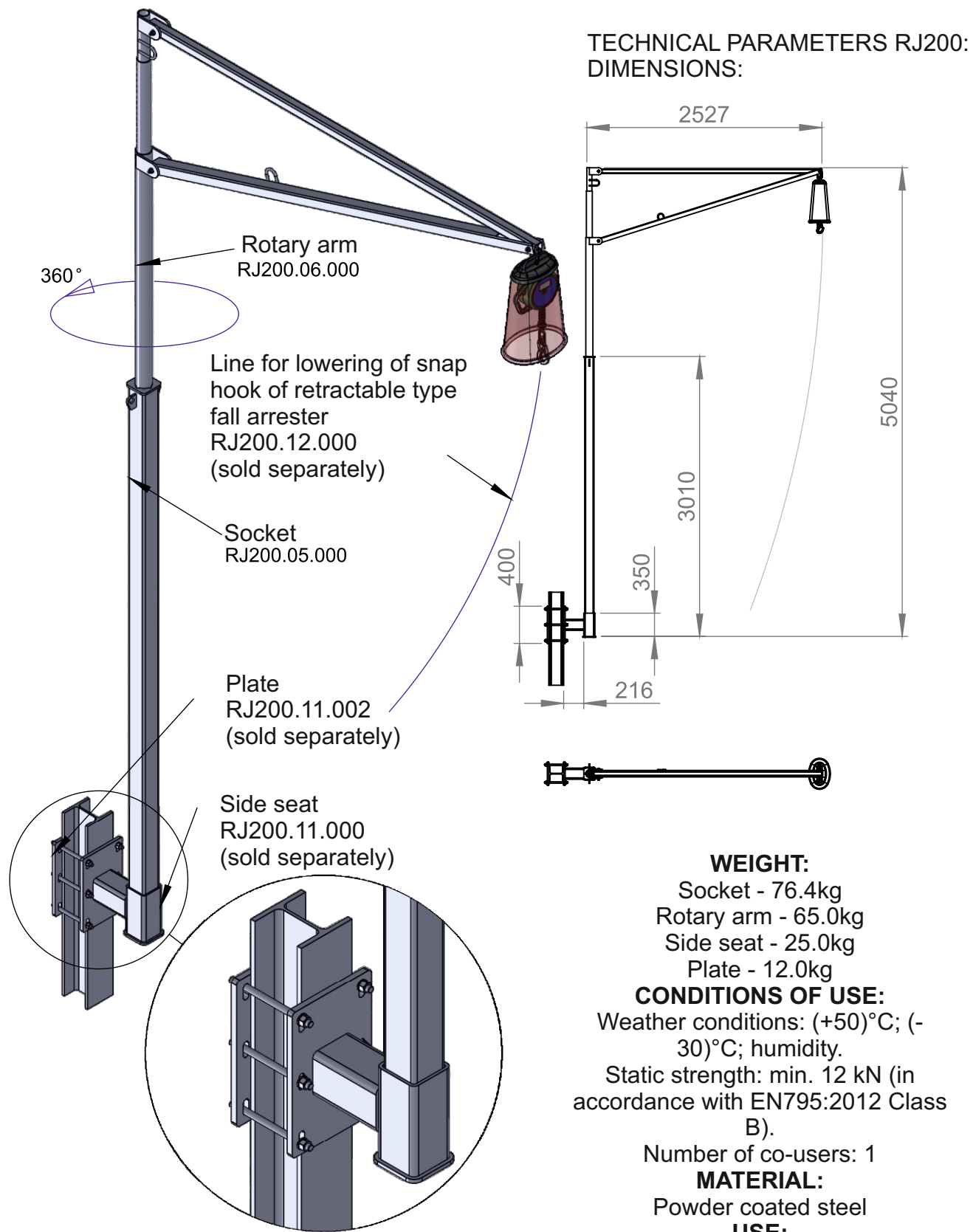
Construction works on construction site or boarding works
Works at a height

NOTE!!!

1. Refer to other methods of use on the following pages.

2. Before use read instruction manual.

TECHNICAL DATA
Components of the device / configurations



WEIGHT:
Socket - 76.4kg
Rotary arm - 65.0kg
Side seat - 25.0kg
Plate - 12.0kg

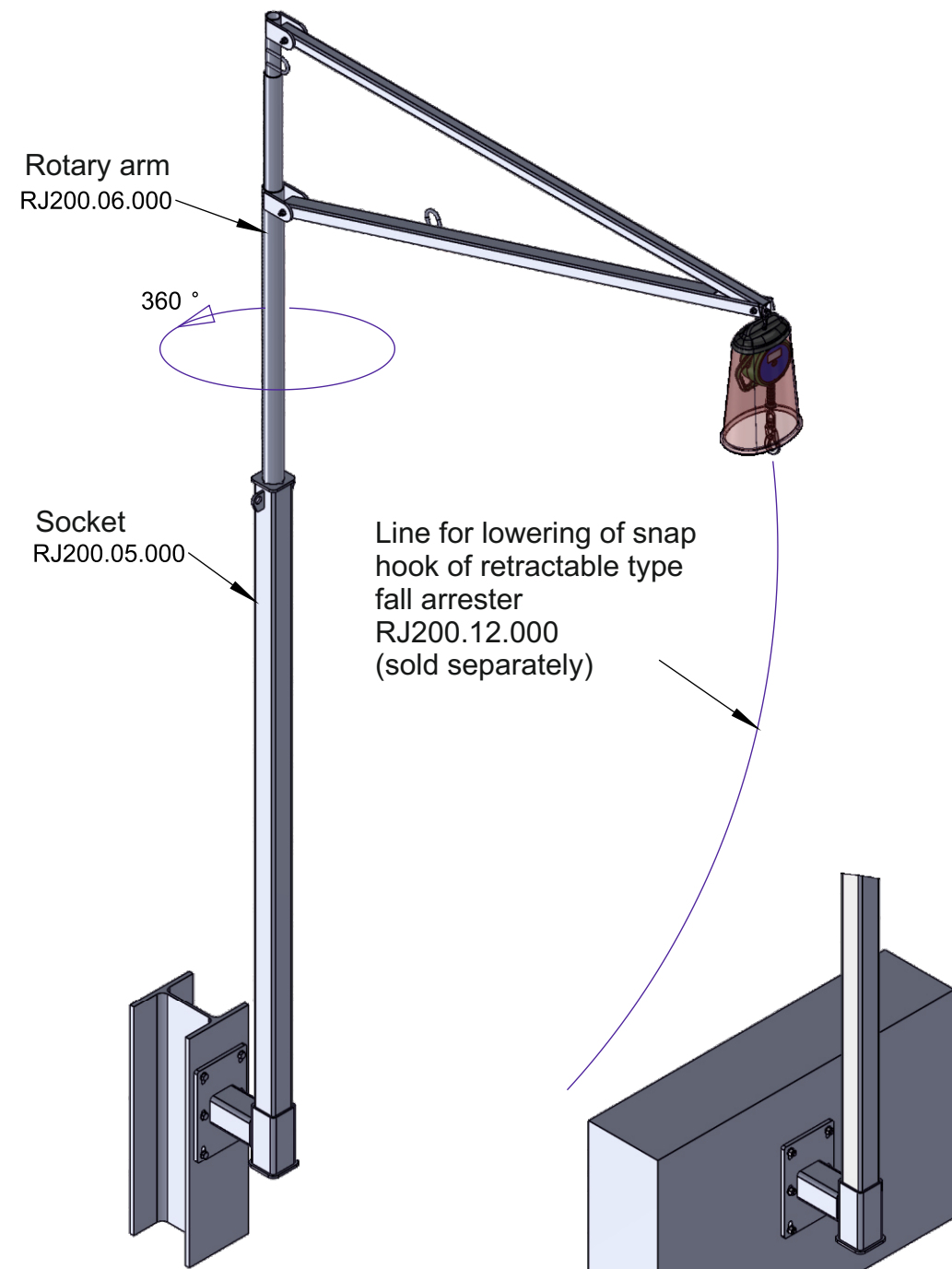
CONDITIONS OF USE:
Weather conditions: (+50)°C; (-30)°C; humidity.
Static strength: min. 12 kN (in accordance with EN795:2012 Class B).
Number of co-users: 1

MATERIAL:
Powder coated steel

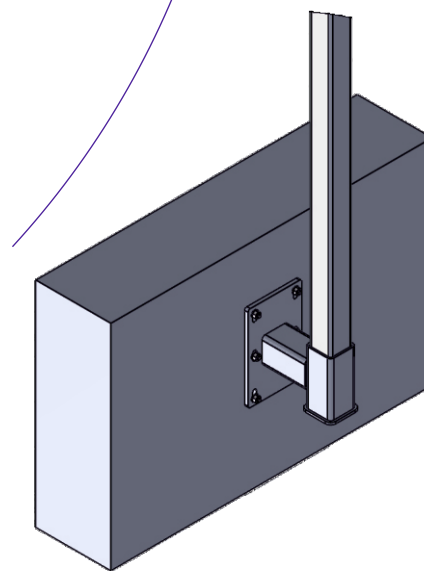
USE:
Construction works on steel structures, works on façades based on steel structures
Works at a height

USE NO. 4

Device RJ200 can be used as an anchor point for mounting on steel structures using special side seat and retaining plate and screws or threaded rods M16.
Side seat with retaining plate forms a “clamp” around the steel structure without interfering with its framework.



METHOD OF USE NO. 5
Device RJ200 can be used as an anchor point for mounting on steel structures using special side seat and screws or threaded rods M16. It is required to prepare bore holes in the structure.

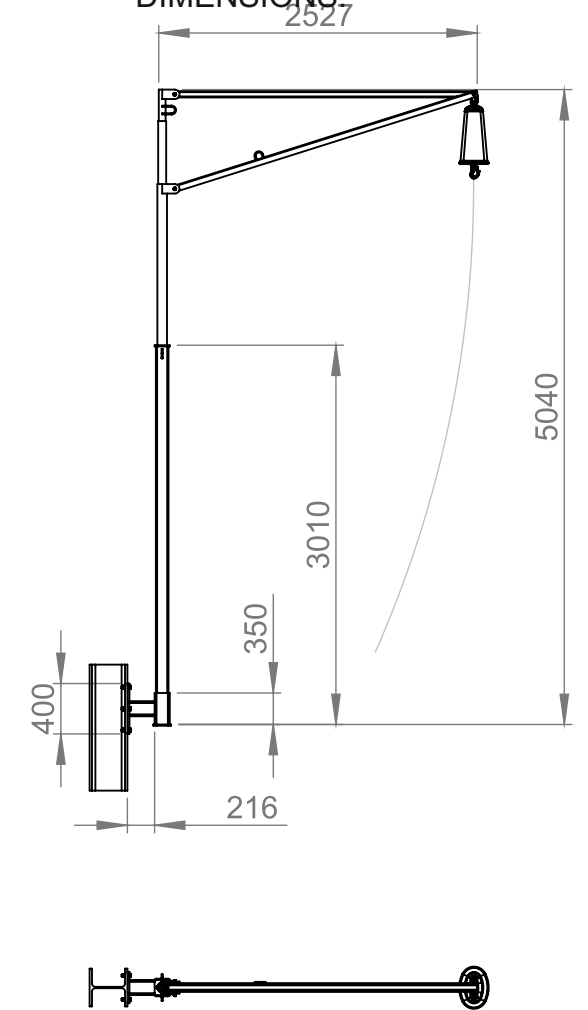


METHOD OF USE NO. 6
Device RJ200 can be used as an anchor point for mounting on concrete structures using special side seat and mechanical or chemical anchors M16. It is required to prepare bore holes in the structure.

NOTE!!!

1. Refer to other methods of use on the previous pages.
2. Before use read instruction manual.

TECHNICAL PARAMETERS
RJ200:
DIMENSIONS:



WEIGHT:
Socket - 76.4kg
Rotary arm - 65.0kg
Side seat - 25.0kg

CONDITIONS OF USE:
Weather conditions: (+50)°C; (-30)°C; humidity.
Static strength: min. 12 kN (in accordance with EN795:2012 Class B).
Number of co-users: 1

MATERIAL:
Powder coated steel

USE:
Construction works on steel or reinforced-concrete structures, works on façades based on steel or reinforced-concrete structures
Works at a height

INSTALLATION OF THE DEVICE (Method of use no. 1 and 2)

Order of installation

Before installing the device RJ200 prepare necessary tools as follows:

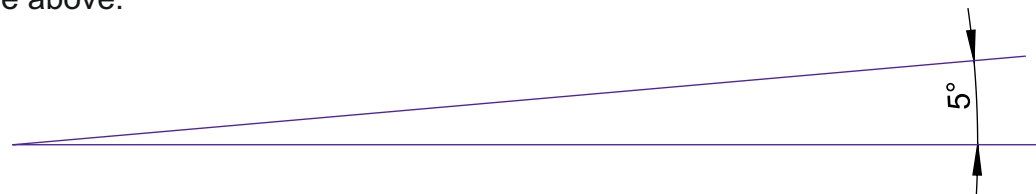
- Hammer
- Spirit level
- Combination open-end wrenches 19mm (2 pcs.)

List of elements:

12	Śruba M12x90 (Bo	16	galvanized steel	DIN 931	0.090	
11	Podkładka M12 (Washer)	16	galvanized steel	DIN 125	0.010	
10	Locking pin	8	S235/A2 (steel)	ASB50030	0.250	
9	Płyta OSB #18mm boczna (OSB side panel)	4	OSB panel #18mm (OSB)	RJ200.09.000	12.400	
8	Płyta OSB #18mm dolna (OSB bottom panel)	1	OSB panel #18mm (OSB)	RJ200.08.000	20.200	
7	Belka (Beam)	8	S235 (steel)	RJ200.07.000	7.200	
6	Ramię (Arm)	1	S235 (steel)	RJ200.06.000	65.000	
5	Gniazdo (Socket)	1	S235 (steel)	RJ200.05.000	76.400	
4	Pokrywa (Cover)	1	S235 (steel)	RJ200.04.000	138.000	
3	Noga (Leg)	4	S235 (steel)	RJ200.03.000	23.800	
2	Podpora (Support)	4	S235 (steel)	RJ200.02.000	1.690	
1	Podstawa (Base)	1	S235 (steel)	RJ200.01.000	132.000	
Nr. część. (Part No.)	Nazwa części / zespołu (Part / Assembly name)	Sztuk (pcs).	Materiał (Material)	Nr rys. / Nr norm (Drawing No / Standard No)	Ciężar [kg] (Weight)	Uwagi (Notice)

1. Level base "1" using four supports "2".

Maximum inclination angle of a surface on which the device can be placed is shown in figure above.



2. Insert four legs "3" into previously levelled base "1" and lock them with four pins "10" and push cotters at the end.

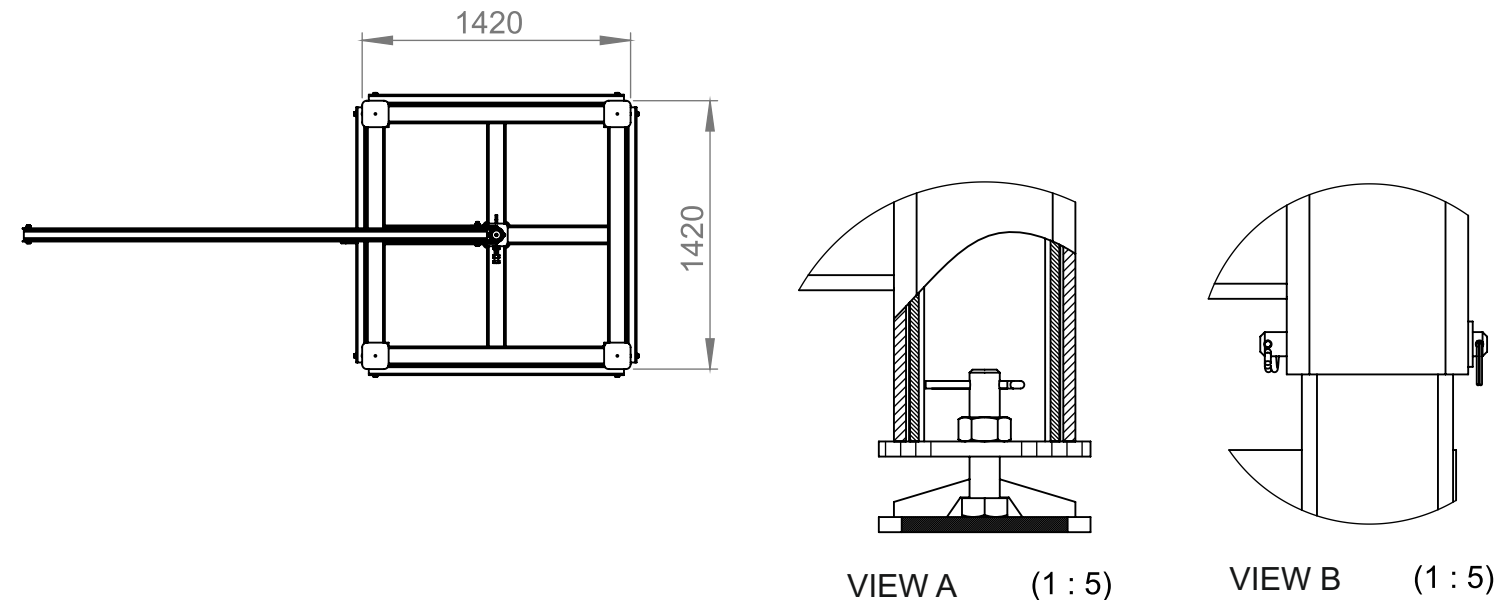
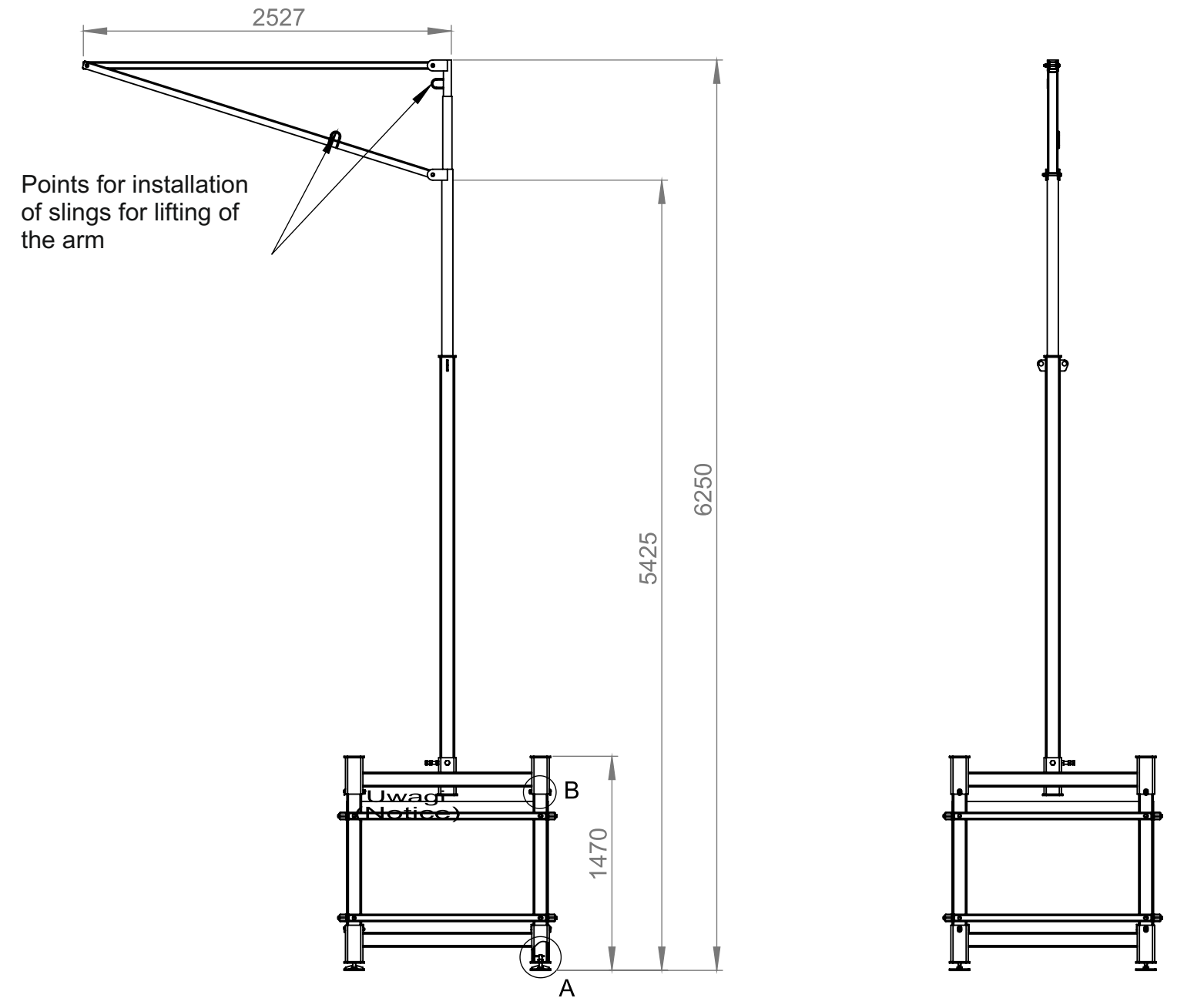
3. Using forklift truck place three concrete unit weights (RJ200.10.000) with a weight of 1000kg each on base "1" or fix beams "7" to four legs "3" with bolts M12 delivered in the set. On base "1" place OSB bottom panel "8" and then four OSB side panels "9".

4. Fix socket "5" in cover "4" to marker.

5. Using forklift truck fix cover "4" with previously installed socket "5" on legs "3" and lock it with four pins "10" and push cotters at the end.

6. Fill the case with ballast with a total weight of min. 3000kg (not applicable if concrete unit weights are used).

7. Push arm "6" in to socket "5" to marker. To perform this operation use a crane or other lifting device, e.g. mobile crane. Lift the frame in marked points. Before that lock possibility of automatic arm rotation by attaching line for lowering of snap hook of retractable type fall arrester to cover "4".



INSTALLATION OF THE DEVICE (Method of use no. 3 and 3B)

Order of installation

Before installing the device RJ200 prepare necessary tools as follows:

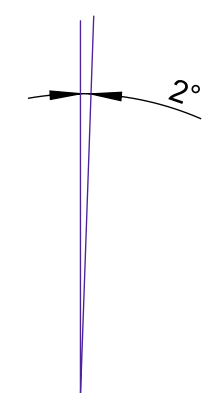
- Hammer
- Spirit level
- Combination open-end wrenches 19mm (2 pcs.)

List of elements:

3	Gniazdo tracone (Housing tube)	1	PVC	RJ200.05.000B	2.125	
2	Gniazdo (Socket)	1	S235 (steel)	RJ200.05.000	76.400	
1	Ramię (Arm)	1	S235 (steel)	RJ200.06.000	65.000	
Nr. części (Part No.)	Nazwa części / zespołu (Part / Assembly name)	Sztuk (pcs)	Materiał (Material)	Nr rys. / Nr normy (Drawing No / Standard No)	Ciężar [kg] (Weight)	Uwagi (Notice)

1. Mount socket "2" or loosen socket "3" in "wet concrete".

Socket mounting depth is min. 1000mm. Minimum requirements for concrete (beam) are given in the figure. Plumb the mounted socket. Maximum deviation angle from the vertical cannot exceed 2°



2. Wait until concrete reaches its required strength. Protect the hole where the socket is mounted against any contamination.

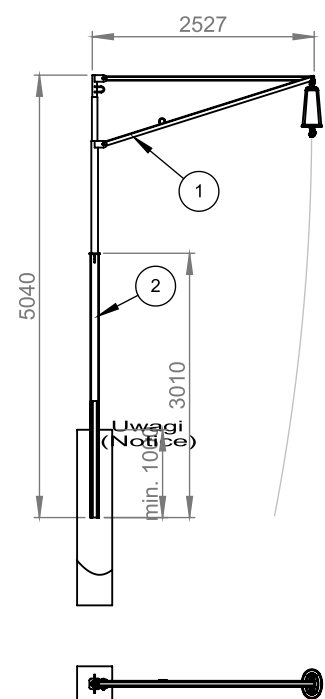
4. Mount rotary arm "1" in the previously mounted socket "2".

5. The socket can be used several times by moving the arm between sockets.

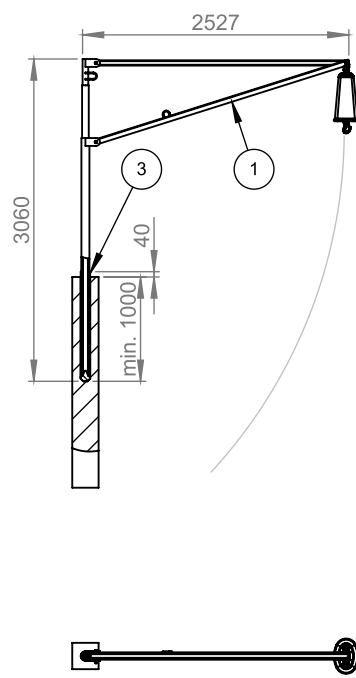
6. After all works employing the arm are completed:

- socket "2" can be cut off and poured out with concrete
- loosen socket "3" can be poured out with concrete

Method of use no. 3



Method of use no. 3B



INSTALLATION OF THE DEVICE (Method of use no. 4)

Order of installation

Before installing the device RJ200 prepare necessary tools as follows:

- Hammer
- Spirit level
- Set of combination open-end wrenches

List of elements:

4	Płyta (Plate)	1	S235 (steel)	RJ200.11.002	11.900	
3	Gniazdo boczne (Side seat)	1	S235 (steel)	RJ200.11.000	25.380	
2	Gniazdo (Socket)	1	S235 (steel)	RJ200.05.000	76.400	
1	Ramię (Arm)	1	S235 (steel)	RJ200.06.000	65.000	
Nr. części (Part No.)	Nazwa części / zespołu (Part / Assembly name)	Sztuk (pcs)	Materiał (Material)	Nr rys. / Nr normy (Drawing No / Standard No)	Ciężar [kg] (Weight)	Uwagi (Notice)

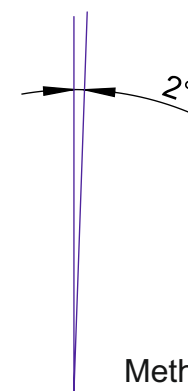
1. Fix side seat "3" on column using plate "4" on vertical column (use it as a clamp). Minimum requirements for column are given in the figure.

Plumb the mounted socket. Maximum deviation angle from the vertical cannot exceed 2°.

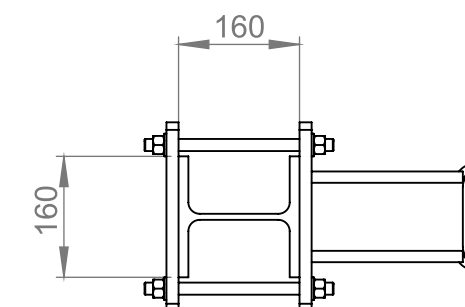
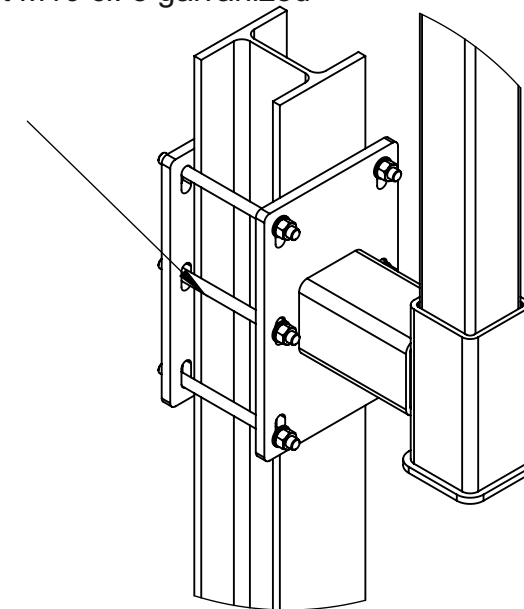
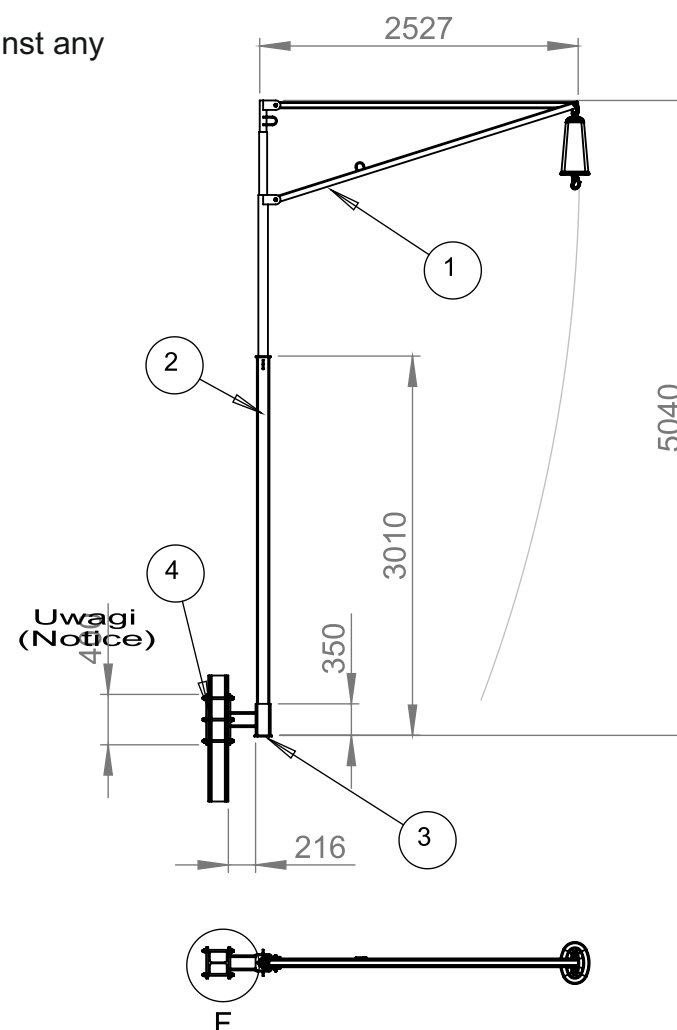
2. Mount rotary arm "1" in the previously mounted socket "3".

3. The socket can be used several times by moving the arm between sockets.

- 6 pcs. threaded rod M16 cl. 8.8 galvanized
- 12 pcs. washer 17 galvanized
- 12 pcs. self-locking nut M16 cl. 8 galvanized



Method of use no. 4



INSTALLATION OF THE DEVICE (Method of use no. 5 and 6)

Order of installation

Before installing the device RJ200 prepare necessary tools as follows:

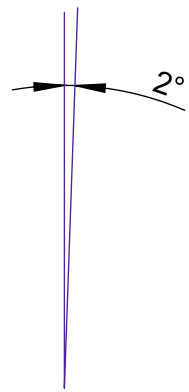
- Hammer
- Spirit level
- Set of combination open-end wrenches
- Hammer drill (for mounting in concrete)
- Masonry drill Ø18mm (for fixing of chemical anchors in concrete)
- Masonry drill Ø16mm (for fixing of mechanical anchors in concrete)

List of elements:

3	Sidefatning (Side seed)	1	S235 (steel)	RJ200.11.000	25,380	
2	Fatning (Socket)	1	S235 (steel)	RJ200.05.000	76,400	
1	Arm (Arm)	1	S235 (steel)	RJ200.06.000	65,000	
Delens nr. (Part No.)	Delens/ sættets navn (Part / Assembly name)	Stykker (pcs).	Materiale (Material)	Billede nr. / Standard nr. (Drawing No / Standard No)	Vægt [kg] (Weight)	Anmærkning (Notice)

1. Monter sidefatning "3" på søjle. Minimalt krav vedrørende søjle blev angivet på billede ved side af.

Indstil monteret fatning lodret. Maksimal fatningens vinkelafvigelse fra lodret stilling kan ikke overskride 2°.

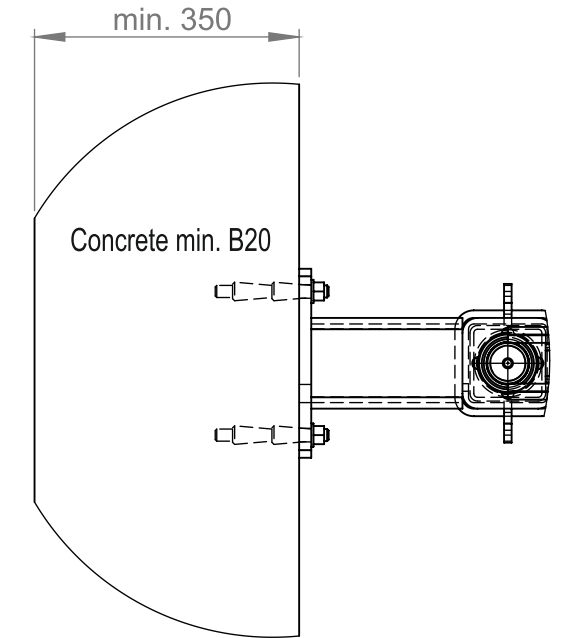
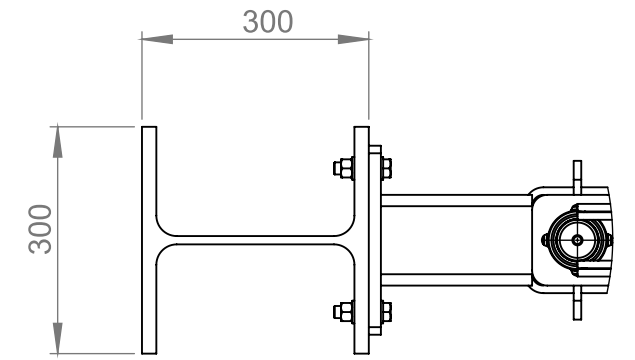
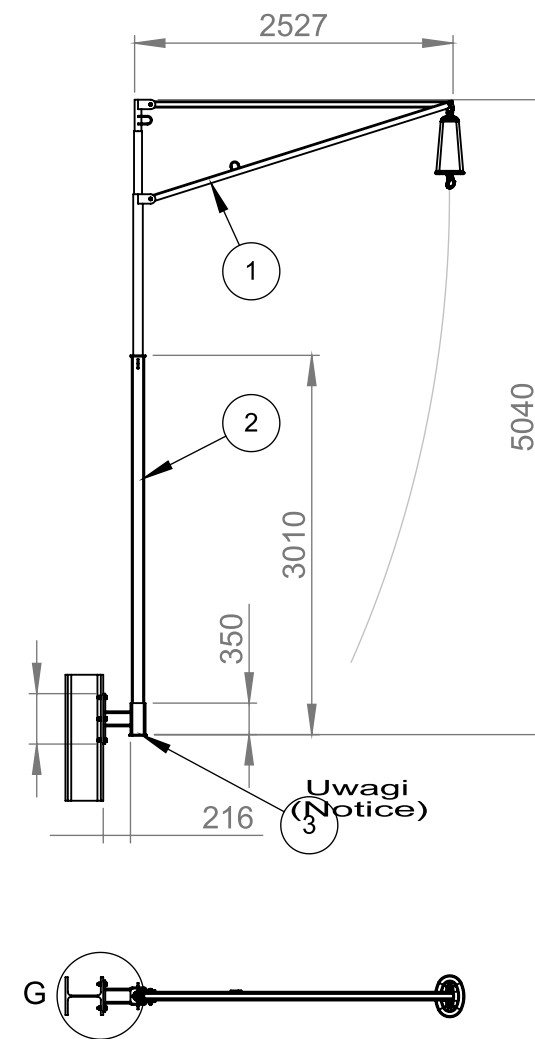


2. Mount rotary arm "1" in the previously mounted socket "3".

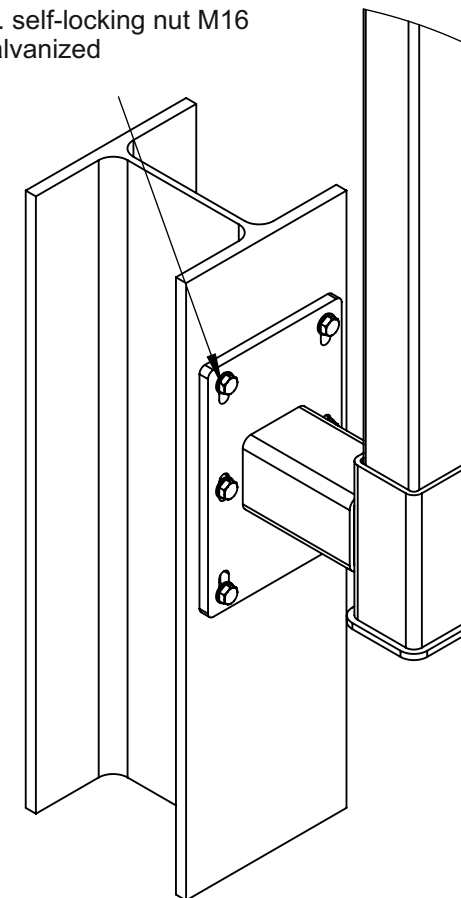
3. The socket can be used several times by moving the arm between sockets.

4. After all works employing the arm are completed the socket can be removed or left for further use.

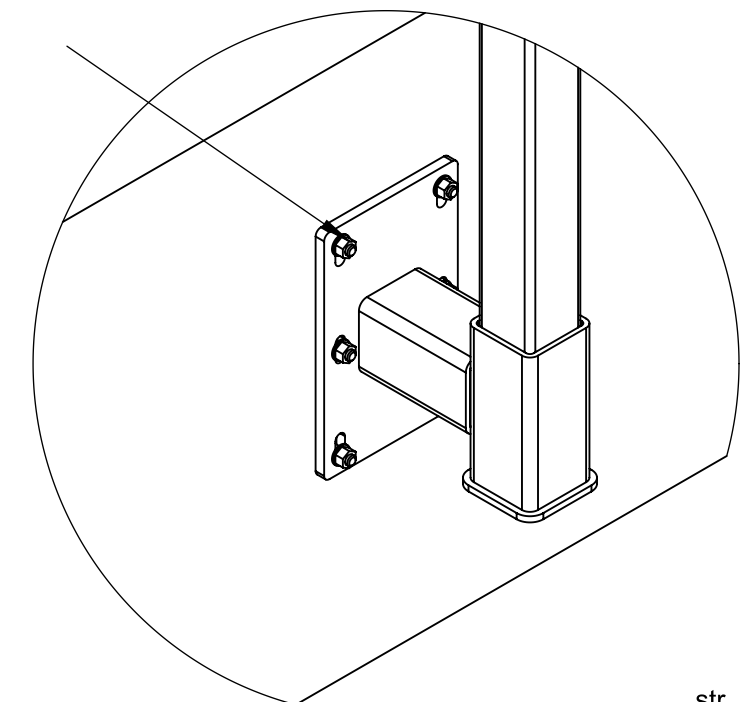
Method of use no. 5 and 6



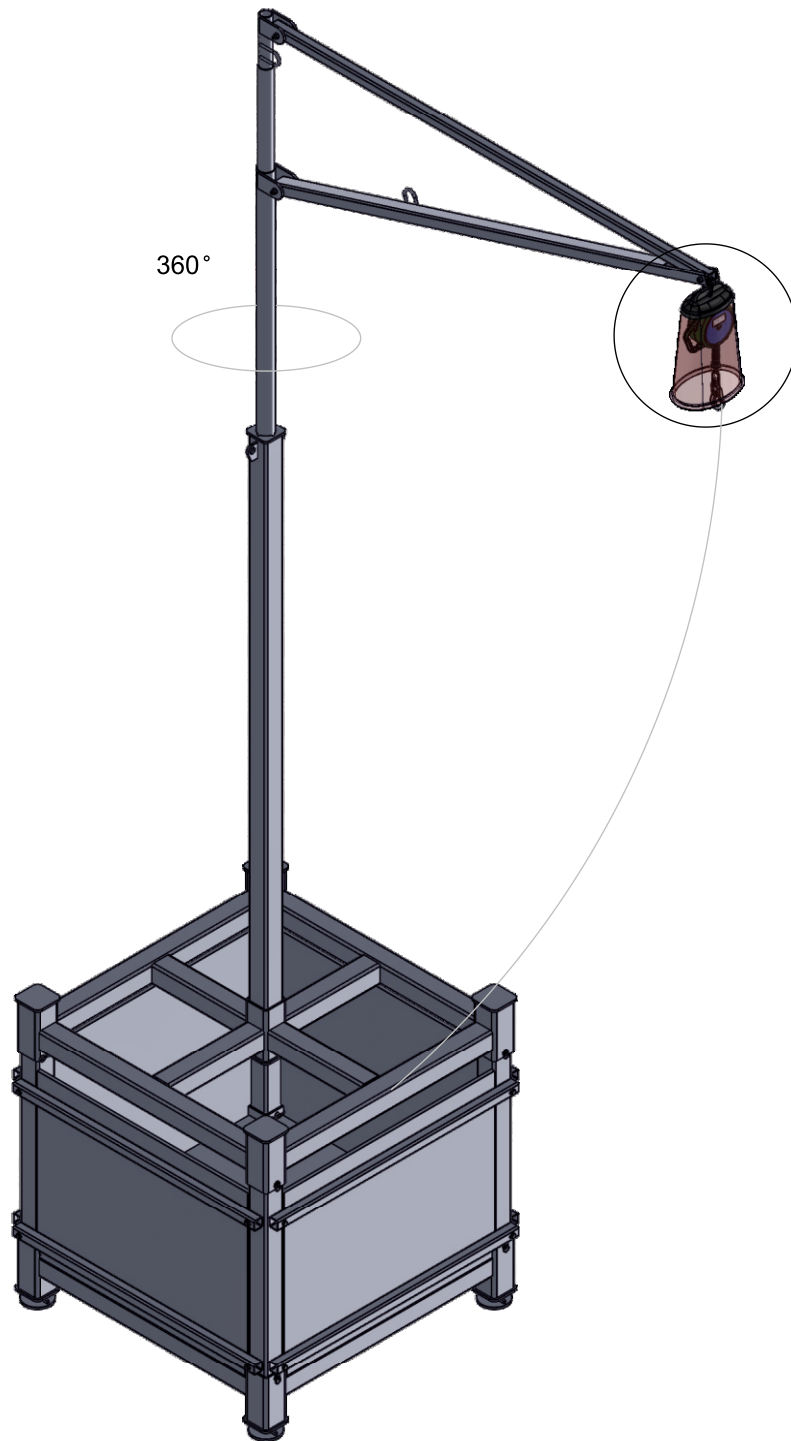
- 6 pcs. bolt M16 cl. 8.8 galvanized
- 12 pcs. washer 17 galvanized
- 6 pcs. self-locking nut M16 cl. 8 galvanized



- 6 pcs. mechanical or chemical anchor M16 galvanized
- 6 pcs. washer 17 galvanized
- 6 pcs. self-locking nut M16 cl. 8 galvanized



Complete folding



Inspection of the device before use

Before each use of the device carry out its visual inspection

- Make sure that there are no cracks or deformations on the device
- Make sure that the device can rotate
- Make sure that the device is upright
- Check function of the lock gear of retractable type fall arrester
- Check depth of mounting of elements to markers

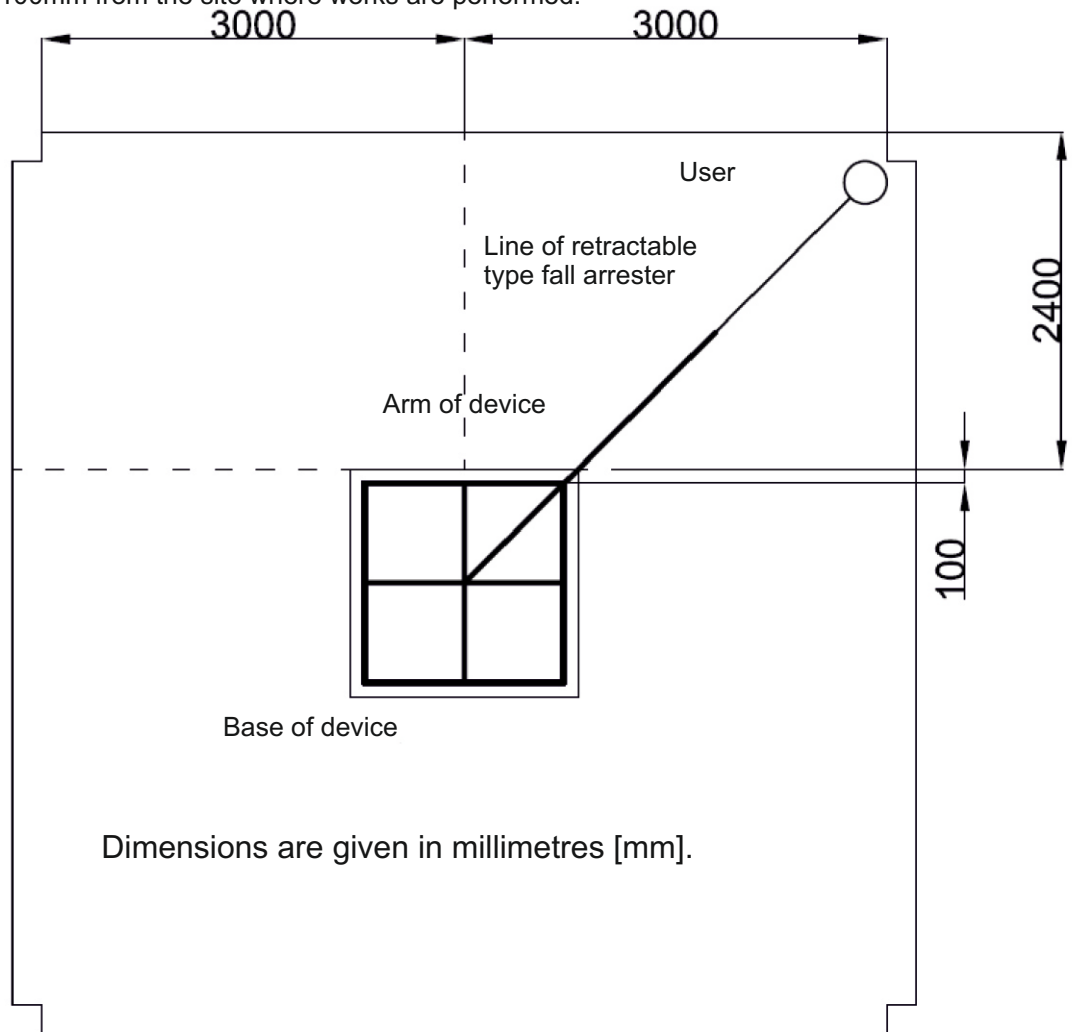
Periodic inspection of the device

According to EN 365 it is recommended to perform periodic inspections of the device RJ200. Periodic inspection should be carried out by a service point authorized by the manufacturer. Periodic inspection (min. once a year) should be carried out by a competent person or a service point authorised by the manufacturer. In case of any doubts please contact the manufacturer. Inspection activities:

- Inspection of weld seams, deformations, cracks
- Inspection of retractable type fall arrester
- Inspection of bolts, pins, cotters
- Quality assessment of surfaces, corrosion centres

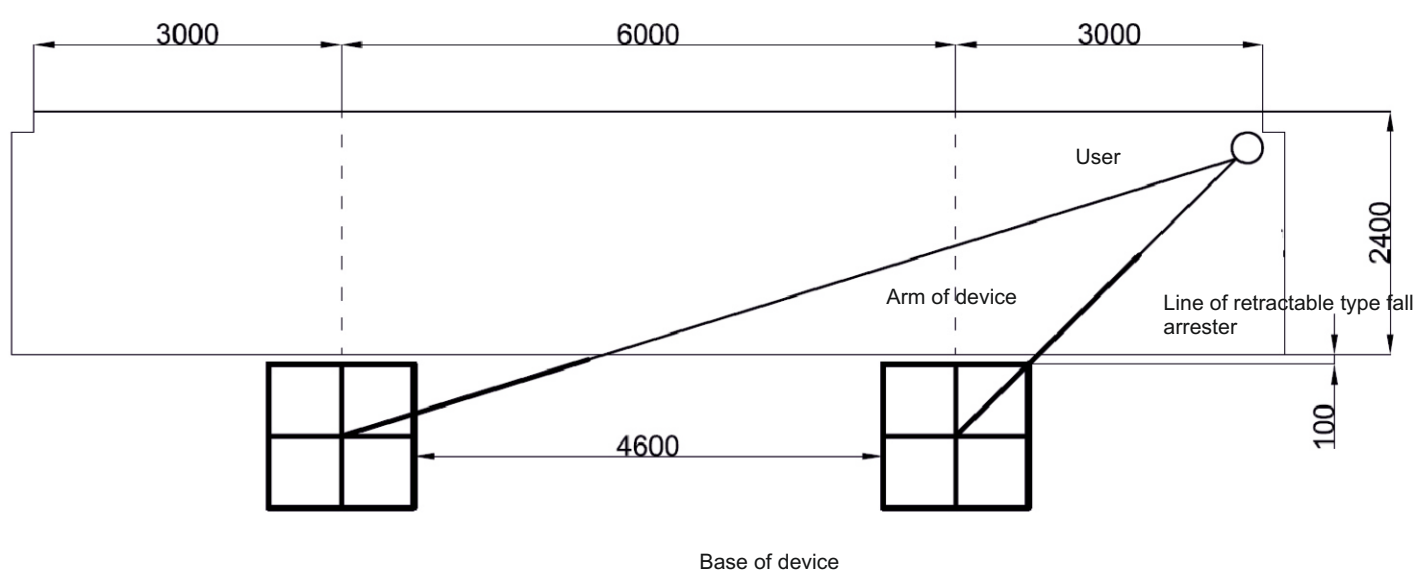
Work field range when using one device RJ200

Place base of the device within 100mm from the site where works are performed.



Work field range when using two devices RJ200

Place bases of the devices within 100mm from the site where works are performed.



Dimensions are given in millimetres [mm].

Additional inspection of individual fall protection equipment

- When working with the device RJ200 use a retractable type fall arrester
- Inspect if snap hooks are closed and locked
- Use correctly adjusted full body harness

IDENTITY CARD

IT IS RESPONSIBILITY OF THE USER ORGANISATION TO PROVIDE THE IDENTITY CARD AND TO FILL IN THE DETAILS REQUIRED. THE IDENTITY CARD SHOULD BE FILLED IN ONLY BY COMPETENT PERSON RESPONSIBLE FOR PROTECTIVE EQUIPMENT. THE IDENTITY CARD SHOULD BE FILLED IN BEFORE THE FIRST USE OF THE EQUIPMENT. ANY INFORMATION ABOUT THE EQUIPMENT LIKE: PERIODIC INSPECTIONS, REPAIRS, REASONS OF EQUIPMENT'S WITHDRAWN FROM USE SHALL BE NOTED. THE IDENTITY CARD SHOULD BE STORED DURING A WHOLE PERIOD OF EQUIPMENT UTILIZATION. DO NOT USE THE EQUIPMENT WITHOUT THE IDENTITY CARD.

MODEL AND TYPE OF EQUIPMENT	
REF. NUMBER	
SERIAL NUMBER	
DATE OF MANUFACTURE	
DATE OF PURCHASE	
DATE OF FIRST USE	
USER NAME	

PERIODIC EXAMINATION AND REPAIR HISTORY

	DATE	REASON FOR SERVICING / REPAIR	REPAIRS CARRIED OUT	NAME AND SIGNATURE OF COMPETENT PERSON	DATE OF NEXT EXAMINATION
1					
2					
3					
4					
5					
6					
7					
8					
9					