

## Anchor Point **AT 152**

### INSPECTION AND MAINTENANCE

1. Before each use, visually inspect the anchor point.
2. If the anchor point is involved in arresting a fall, it must be subjected to a detailed inspection to determine if it can be used further or needs replacing by a new one, after inspecting the fixed structure in the anchoring point. The approval for further use must be documented in the Service Sheet.
3. It is recommended to carry out the periodic inspections of the anchoring point every 12 months.
4. Periodic inspections and all special checks must be recorded in the Service Sheet.

### SERVICE SHEET

Device name	Reference number	User's name
Date of manufacture	Serial number	Date of installation

### Technical inspections

Date	Type of inspection (periodic/repair/...)	Notes	Date of next inspection	Signature

Manufacturer:

PROTEKT, 93-403 Łódź, ul.: Starorudzka 9, tel.: (+48 42) 680 20 93, fax.: (+48 42) 680 20 93, e-mail: protekt@protekt.com.pl

## Anchor Point **AT 152**

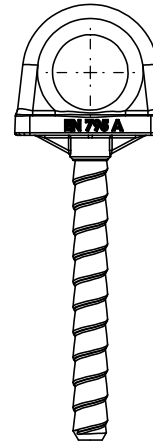
### PRODUCT DESCRIPTION

AT152 anchor is a class A anchoring device conforming with PN-EN 795:1996. It is designed to connect personal protective equipment against falls from heights.

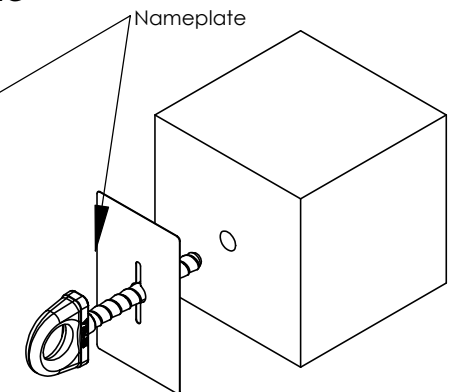
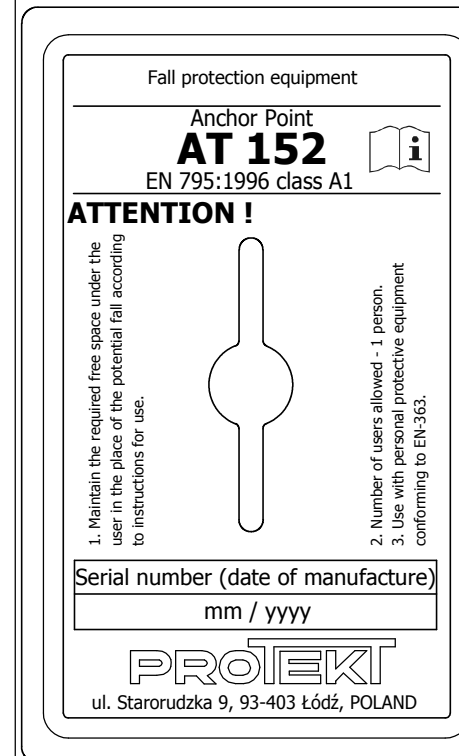
The device is designed for use by one person.

AT152 is made of hot-dip galvanized steel.

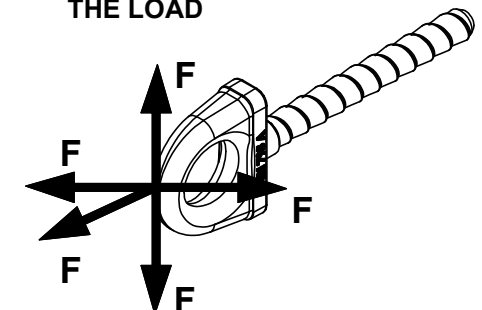
The device can be installed in vertical, horizontal or inclined surfaces. Is permanently fixed to concrete structures using chemical anchors or is braced in concrete during the pouring of raw concrete.



### MARKING



### DIRECTION OF APPLYING THE LOAD



PROTEKT

## Anchor Point **AT 152**

### BASIC PRINCIPLES OF USE

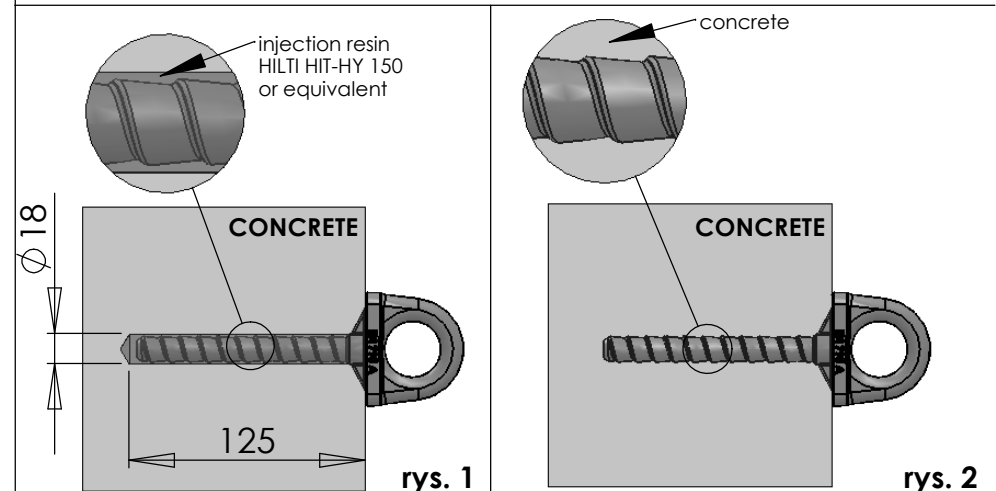
1. Before installing the anchor, read these instructions and strictly adhere to the recommendations contained therein.
2. These instructions should always be available for the installer or operator of the anchor point.
3. The anchor can be installed only by persons with appropriate knowledge and experience in this field, and in particular the knowledge of the EN 795 standard, knowledge of installing anchors in accordance with the guidelines of their manufacturers and the knowledge of this manual. The installed anchor point should be checked (approved) by a person competent in this area (e.g. a qualified engineer or designer), who must also check the durability of the building construction at the fixing point.
4. The operator shall be entirely liable for installation of the anchor point. Neither the manufacturer nor the distributor shall be responsible for the careless installation or installation inconsistent with the recommendations. The manufacturer and/or distributor shall provide, upon request, all necessary technical information concerning the product, its installation technology, method of inspection and declaration of the product's conformity.
5. The protective equipment used with the anchor point should be attached using a connector in accordance with EN 362, taking into account the recommendations contained in the instructions for use of this equipment.
6. AT152 should only be used for attaching personal protective equipment against falls from a height, in accordance with the Directive 89/686/EU, in such a way as to form a protective system conforming to EN 363 or EN 358.
7. It is forbidden to use the anchor with apparent defects (corrosion, cracks, deformation).
8. It is forbidden to use the anchor, which took part in arresting a fall.
9. It is forbidden to attach to the anchor more than one person or to hoist loads.
10. Unauthorized modification of the device is forbidden.
11. During installation, plan a protective system in such a way as to place the anchor above the user.

PROTEKT

## Anchor Point **AT 152**

### Installation

1. Before installation, the AT152 anchor must be stored in a clean, dry place, under conditions which prevent mechanical or chemical damage.
2. The anchor must be installed in accordance with these instructions. To attach to dried concrete, use injection resin HILTI HIT-HY 150 (or equivalent), applied into the previously drilled hole with 18mm in diameter and 125mm in length (see Figure 1). In wet concrete, the anchor should be embedded in such a way that the entire length of the stem sinks in (see Figure 2). Anchors can be used only after the concrete reaches full hardness. The concrete substrate should have a compressive strength of not less than 20MPa.
3. Each time, ensure that the free space under the user corresponds to the required free space defined in the instructions for use of personal protective equipment.
4. Consider environmental conditions prevailing at the installation site, which may cause the anchor to corrode.
5. It is recommended to follow the installation guidelines contained in the information annex of the EN 795 standard.
6. Installation examples are shown in the figures below.
7. For mounting in the materials other than those discussed in these instructions for use, a qualified designer must do calculations to check if the bond strength conforms to EN 795.



PROTEKT