

any damages such as cuts, abrasions, corrosion, influence of extreme temperatures, negative influence of environmental factors, chemical substances.
 personal fall protection equipment must be transported in a package (e.g.: bag made of moisture-proof textile or foil bag or cases made of steel or plastic) to protect it against damage or moisture.
 personal fall protection equipment should be cleaned without causing adverse effect on the materials used in manufacturing of the equipment. For textile materials (webbings, ropes) use agents suitable for delicate fabrics. Can be washed in hands or in a washing machine. Rinse thoroughly. Clean energy absorbers using damp cloth only. Do not immerse energy absorber in water. Wash textile products with water only. When the equipment becomes wet, either from being in use or after cleaning, allow it to dry naturally, and keep it away from sources of heat. In metallic products lubricate slightly some mechanical parts (springs, hinges, pawls, etc.) regularly to ensure their better operation.
 personal fall protection equipment should be stored loosely packed in well-ventilated rooms, protected from direct light, UV degradation, dust, sharp edges, extreme temperatures and aggressive chemical substances.
 all parts of personal fall protection equipment must conform to instruction manuals of the equipment and standards in force: EN 353-1, EN 353-2, EN 354, EN 355, EN 360 - for fall arrest systems; EN 362 - for connectors; EN341, EN1496, EN1497, EN1498 - for rescue devices; EN 361 - for full body harnesses; EN 813 - for sit harnesses; EN 358 – for work positioning systems; EN 795 - for anchor devices.

Manufacturer:
 PROTEKT - Starorudzka 9 - 93-403 Lodz - Poland
 tel. +4842 6802083 - fax. +4842 6802093 - www.protekt.com.pl

Notified body responsible for EU type test certification in accordance with Regulation 2016/425:
 PRS - No.1463, Polski Rejestr Statków S.A. al. Józefa Hallera 126 80-416 Gdańsk, Poland,
 Notified body responsible for controlling manufacturing of the equipment:
 Apave Exploitation France SAS (n°0082) 6 Rue du Général Audran 92412 COURBEVOIE cedex France

Declaration of conformity is available at www.protekt.pl.

IDENTITY CARD

It is responsibility of the user organisation to provide the Identity Card and to fill in the required details. Identity Card should be filled in before first use of the equipment by a competent person responsible in an organisation for personal fall protection equipment. Information regarding periodic inspections, repairs and reasons for withdrawal of the equipment from use are filled in by a competent person responsible in an organisation for personal fall protection equipment. Identity Card should be stored in a safe place throughout the whole period of use of the equipment. It is forbidden to use personal fall protection equipment if the Identity Card is not filled in.

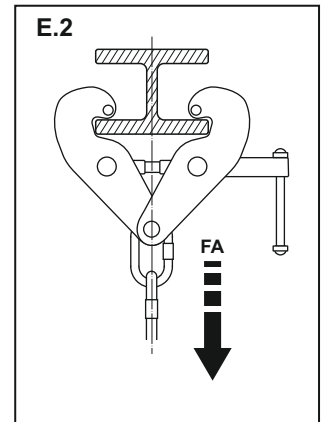
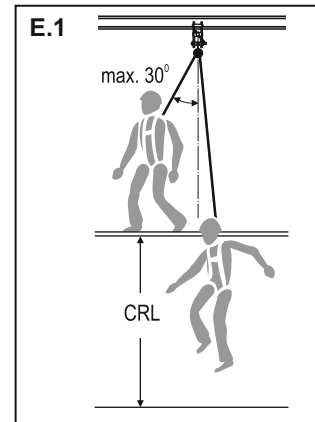
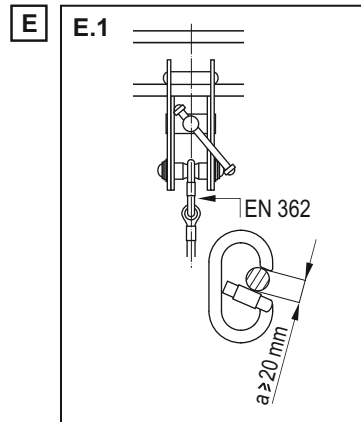
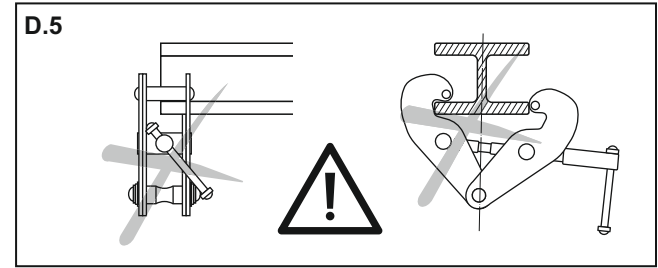
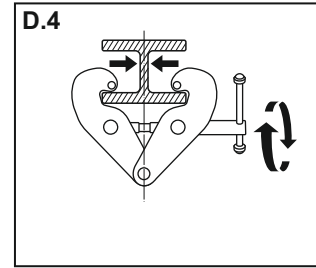
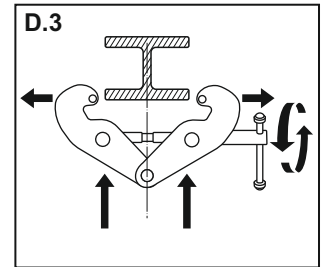
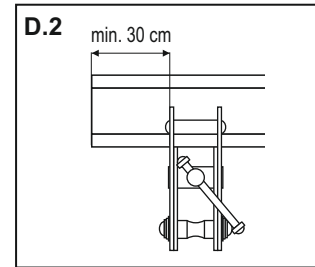
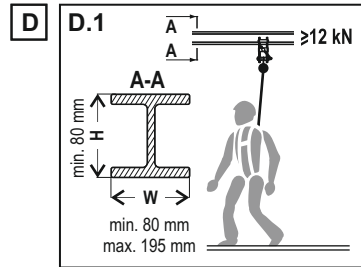
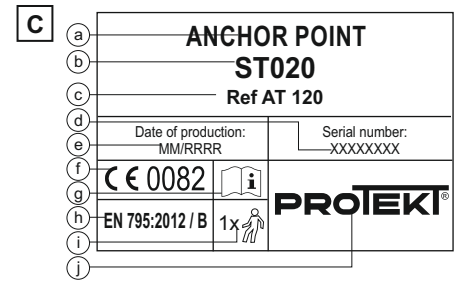
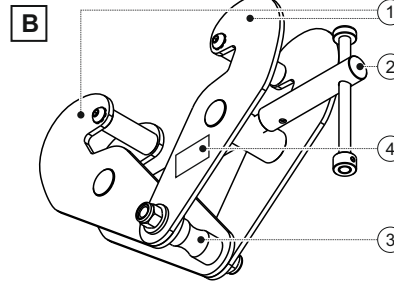
DEVICE MODEL AND TYPE			
SERIAL NUMBER	DATE OF PURCHASE		
REFERENCE NUMBER	DATE OF FIRST USE		
DATE OF MANUFACTURE	USER NAME		

PERIODIC AND MAINTENANCE INSPECTIONS

DATE OF INSPECTION	REASONS FOR INSPECTION/REPAIR	NOTICED DAMAGES, COMPLETED REPAIRS	FULL NAME AND SIGNATURE OF RESPONSIBLE PERSON	DATE OF NEXT INSPECTION

A **PROTEKT®**
 CE 0082 EN 795:2012 / B

PL ANCHOR DEVICE ST020
 Ref. no. AT 120



EN - NOTE: Before use of this device please read and understand this instruction manual.

A. DESCRIPTION

Anchor device ST020 is a component of individual fall protection equipment. Anchor device ST020 is a portable anchor device type B compliant with EN795. Anchor device is installed on a horizontal I-beam (rail). The rail must be fixed to a permanent structure. Anchor device ST020 is made of steel. ST020 provides protection for one person only. Anchor device ST020 is a personal fall protection device and cannot be used for lifting loads.

B. DESCRIPTION OF PARTS

1. Jaws.
2. Adjustment screw
3. Anchor pin.
4. Identity label

C. MARKING

- a) device type
- b) model
- c) reference number
- d) serial number
- e) month/year of manufacture of device
- f) CE mark and number of the notified body controlling manufacturing of the equipment
- g) attention: read the manual before use
- h) number: year of European standard / device type
- i) device for protection of one person
- j) marking of manufacturer
- k) label for marking of date of next periodic inspection of device

D. INSTALLATION OF ANCHOR DEVICE

- Anchor device ST020 can be installed on a T-section beam of 80 mm to 195 mm in width and minimum 80 mm in height. A beam, on which anchor device is to be installed, must be attached to a permanent structure and have a minimum static strength of min. 12 kN. A beam must be fixed in the horizontal, above the user - D.1.

- Do not use this anchor device on vertical or skew beams.

- Minimum distance of the installed anchor point from the beam end is 30cm - D.2.

- Shape and construction of a beam must prevent self-detachment of anchor device. Durability of the fixing and strength of the beam must be checked and confirmed by a qualified technician.

- When fixing anchor device ST020 open (unscrew) jaws of anchor device - D.3. Then install the anchor device on the beam and close the jaws by tightening them with adjustment screw - D.4. Jaws of the anchor device must be closed on the beam symmetrically. Make sure that the anchor device is fixed on the beam and it is not possible for it to get self-detached - D.5.

E. CONNECTION OF FALL PROTECTION EQUIPMENT

- If anchor trolley is a part of a system arresting a user's fall, it must be equipped with an element reducing braking force acting on the user to maximum 6 kN.

- Fall protection system should be attached to anchor pin with a certified connector compliant with EN 362. Use connectors with a minimum opening "a" of 20mm.

- Each time before use, make sure that anchor device ST020 is installed so below the user's feet a required free space (CLR) is kept, necessary for a safe fall arrest so the user would not hit on the ground or any obstacles on the way while falling - E.2. The amount of the required free space must match the required value given in instruction manual for the used fall arrest device.

- When in operation reduce clearance occurring in the protective equipment to reduce a free fall distance to a minimum.

- To avoid a pendulum effect when arresting a fall, take notice that deflection of the lanyard of a fall arrest device from the vertical axis of the trolley is no more than 30° - E.2.

- Maximum load that can be transferred by the anchor trolley on a structure when in operation, is 10 kN. The load follows the direction FA - E.3.

G. PERIODIC INSPECTIONS

The device should be subject to a periodic inspection after at least each 12 months of usage, starting from date of the first use. Periodic inspection can be carried out only by a competent person with adequate knowledge and trained in periodic inspection of personal fall protection equipment.

Conditions of the device use may influence the frequency of periodic inspections which may be carried out more frequently than after 12 months of usage. All periodic inspections must be recorded in the identity card of the device. It is recommended to mark the device with next periodic inspection date, e.g. by using special label (k).

H. MAXIMUM TIME OF USAGE

Maximum time of usage of anchor device ST020 is unlimited.

NOTE: Maximum time of usage depends on intensity and environment of use. If the device is used in heavy conditions, being exposed to frequent contact with water, sharp edges, extreme of temperatures or exposed to corrosive substances, it may be necessary to withdraw the device after only one use.

I. WITHDRAWAL FROM USE

The device must be withdrawn from use immediately and destroyed (to prevent it from being used accidentally) if it has been used to arrest a fall, failed a periodic inspection or there are any doubts concerning its function.

J. ESSENTIAL RULES FOR USE OF PERSONAL FALL PROTECTION EQUIPMENT

personal fall protection equipment should be used only by personnel trained in its use.

personal fall protection equipment must not be used by people with medical condition that could affect safety of user of the equipment in normal and emergency use.

prepare a rescue plan to be implemented during operation whenever necessary.

Being suspended in personal fall protection equipment (e.g. after arresting a fall) please note symptoms of suspension trauma to avoid negative effects of suspension make sure a corresponding rescue action plan is prepared. It is recommended to use support tapes.

it is forbidden to make any alterations or additions to the equipment without prior written consent given by the manufacturer.

any repair shall only be carried out by manufacturer of the equipment or an authorised representative.

personal fall protection equipment shall not be used for any purpose other than intended.

personal fall protection equipment provides individual protection and shall be used by one person only.

before each use make sure that all parts of fall protection system cooperate correctly. Periodically examine connections and fitting of components of the equipment to prevent any accidental loosening or disconnection.

it is forbidden to use a combination of the equipment where function of any component is affected by, or interferes with the function of any other.

before each use of personal fall protection equipment carry out a detailed inspection to ensure that the device is functional and operates correctly.

in particular, before use inspect all accessible elements of the equipment for any damages, excessive wear, corrosion, abrasion, cutting or improper function. For individual devices pay particular attention to:

- in full body harnesses, sit harnesses and work positioning devices: buckles, regulating elements, attachment points

(buckles), webbing, seams, belt loops;

- in energy absorbers: attachment loops, webbing, seams, housing, connectors;

- in lanyards and textile guides: rope, loops, thimbles, connectors, regulating parts, splices;

- in lanyards and steel guides: rope, wires, clamps, loops, thimbles, connectors, regulating parts;

- in retractable type fall arresters: lanyard or webbing, retractor and locking mechanism for proper operation, housing, energy absorber, connectors;

- in guided type fall arresters: body, proper guiding, locking mechanism for proper operation, rollers, bolts and rivets, connectors, energy absorber;

- in metal parts (connectors, hooks, snap hooks): load-bearing body, rivets, main pawl, function of locking gear.

at least once a year, after each 12 months of use, personal fall protection equipment must be withdrawn from use to carry out periodic detailed inspection. Periodic inspection can be carried out by a properly qualified and skilled person. Also periodic inspection can be carried by manufacturer of the equipment or his authorized representative.

in some cases, if fall protection equipment has a complex design (e.g. fall arresters), periodic inspections can be carried out by manufacturer of the equipment, or his authorized representative only. After the periodic inspection, date of the next inspection should be marked.

regular periodic inspections are essential as regards condition of the equipment and safety of users which is dependent on functionality and durability of the equipment.

during periodic inspection it is necessary to check legibility of all markings on the equipment (identity label of the device). Do not use the equipment if marking is illegible.

it is essential for the user's safety that if the product is re-sold outside the original country of destination the reseller must provide instructions for use, for maintenance, for periodic inspection and for repair in language of the country where the product is to be used. personal fall protection equipment must be withdrawn from use and discarded immediately (or other procedures based on instruction manual should be applied) if it has been used to arrest a fall.

full body harness compliant with EN 361 is the only device supporting user's body in fall arrest systems.

fall arrest system can be connected to attachment points (buckles, loops) on full body harness marked with capital letter "A"

anchor point (device) of the fall protection equipment should have a stable structure and position so as to prevent possibility of a load fall and minimize a free fall distance. Anchor point of the equipment should be located above the user's workplace. Shape and construction of the anchor point shall not allow for a self-acting disconnection of the equipment. Minimum strength of anchor point of the equipment should be 12kN. It is recommended to use certified and marked anchor points of the equipment compliant with EN 795.

it is obligatory to verify the free space required under the user at the workplace before each use of fall protection system, so that, in case of a fall, there is no collision with the ground or other obstacle in the fall path.

The required free space should be determined on basis of data given in the instruction manual of the equipment to be used.

when using the equipment, inspect it on a regular basis, paying special attention to risks and damages affecting operation of the equipment and the user's safety, and in particular to kinks and rope movement on sharp edges, oscillatory falls, electrical conductivity,