

there are many hazards that may affect the performance of the equipment and corresponding safety precautions that have to be observed during equipment utilization, especially:

- trailing or looping of cable or lifelines over sharp edges,
- any defects like cutting, abrasion, corrosion,
- climatic exposure,
- pendulum falls,
- extremes of temperature,
- chemical reagents,
- electrical conductivity.

the anchor point AT192 must be transported in the package (e.g.: bag made of moisture-proof textile or foil bag or cases made of steel or plastic) to protect it against damage or moisture.

the anchor point AT192 can be cleaned without causing adverse effect on the materials in the manufacture of the equipment. For textile products use mild detergents for delicate fabrics, wash by hand or in a machine and rinse in water. Plastic parts can be cleaned only with water. When the equipment becomes wet, either from being in use or when due cleaning, it shall be allowed to dry naturally, and shall be kept away from direct heat. In metallic products some mechanic parts (spring, pin, hinge, etc.) can be regularly slightly lubricated to ensure better operation.

Other maintenance and cleaning procedures should be adhered to detailed instructions stated in the manual of the equipment.

the anchor point AT192 should be stored loosely packed, in a well-ventilated place, protected from direct light, ultraviolet degradation, damp environment, sharp edges, extreme temperatures and corrosive or aggressive substances.

IT IS THE RESPONSIBILITY OF THE USER ORGANISATION TO PROVIDE THE IDENTITY CARD AND TO FILL IN THE DETAILS REQUIRED.

THE IDENTITY CARD SHOULD BE FILLED IN BEFORE THE FIRST USE BY A COMPETENT PERSON, RESPONSIBLE IN THE USER ORGANIZATION FOR PROTECTIVE EQUIPMENT.

ANY INFORMATION ABOUT THE EQUIPMENT LIKE PERIODIC INSPECTIONS, REPAIRS, REASONS OF EQUIPMENT'S WITHDRAWN FROM USE SHALL BE NOTED INTO THE IDENTITY CARD BY A COMPETENT PERSON.

THE IDENTITY CARD SHOULD BE STORED DURING A WHOLE PERIOD OF EQUIPMENT UTILIZATION.

DO NOT USE THE EQUIPMENT WITHOUT THE IDENTITY CARD.

ALL RECORDS IN THE IDENTITY CARD CAN BE FILLED IN ONLY BY A COMPETENT PERSON.

## IDENTITY CARD

MODEL AND TYPE OF EQUIPMENT			
REF. NUMBER			
SERIAL NUMBER		DATE OF MANUF.	
USER NAME			
DATE OF PURCHASE		DATE OF PUTTING INTO OPERATION	

### PERIODIC EXAMINATION AND REPAIR HISTORY

	DATE	REASON FOR ENTRY PERIODIC EXAMINATION OR REPAIR	DEFECTS NOTED, REPAIRS CARRIED OUT AND OTHER RELEVANT INFORMATIONS	NAME AND SIGNATURE OF COMPETENT PERSON	PERIODIC EXAMINATION NEXT DUE DATE
1					
2					
3					
4					

PROTEKT, 93-403 ŁÓDŹ,  
ul. Starorudzka 9, POLAND,  
TEL: (48 42) 680 20 83, FAX: (48 42) 680 20 93  
www.protekt.com.pl

# Instruction Manual

EN 795:2012

Ref.: AT192

AT192 has been tested By  
APAVE SUDEUROPE SAS - CS60193 - 13322 MARSEILLE CEDEX 16 - FRANCE

# PROTEKT®

## ANCHOR DEVICE AT192 Type A

Anchor device AT192 is a component of personal protective equipment against falls from a height. It is used to connect fall arrest devices to the structural anchor point. Anchor device AT192 conforms the standard EN 795 type A - protection against falls from a height - Anchor devices.

Anchor device AT192 is appropriate for a single person use only.

### CONSTRUCTION

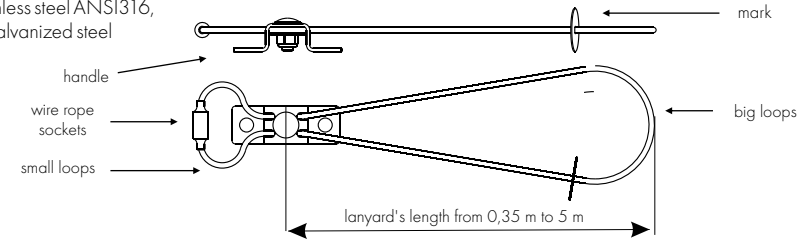
Static strength-min. 12kN

Cable is made of steel wire rope of diameter 5 mm

rope lay: 7x19,

material:

rope - stainless steel ANSI316,  
handle - galvanized steel



### TIME OF USAGE

Anchor device can be used for 5 years. After this period device must be made a subject to detailed manufacturer's control. The control can be carried out by:

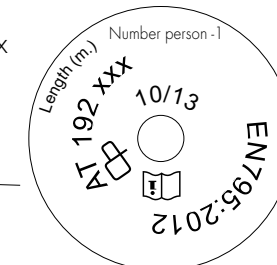
- manufacturer
- or person recommended by manufacturer
- or company recommended by manufacturer.

During the control will be established time of usage till next fabric control.

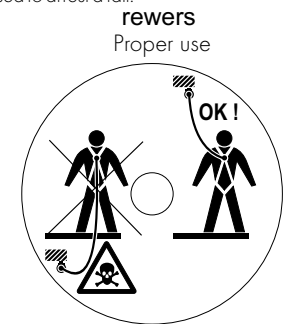
The rope must be withdrawn from use immediately and destroyed when it has been used to arrest a fall.

### MARKING

- reference number — AT192 xxx
- number of manufacturing series — 05/12
- caution: read the manual —
- manufacturer or distributor —
- load direction —
- European standard — EN795:2012 type A
- Number person — 1



month and year of the manufacturer's next inspection  
Don't use the device after this date  
Attention: Before the first use mark the date of the first inspection (date of first use +12 months, e.g. first use 01.2013 - mark inspection 01.2014)



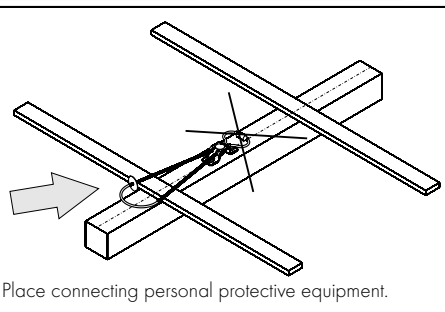
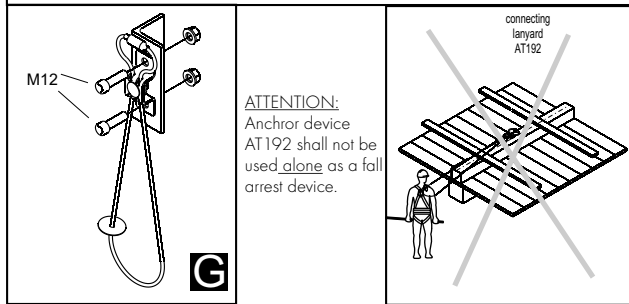
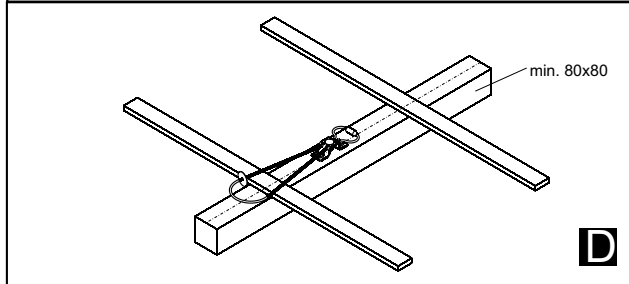
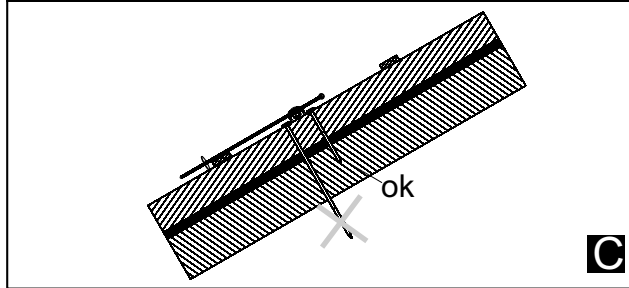
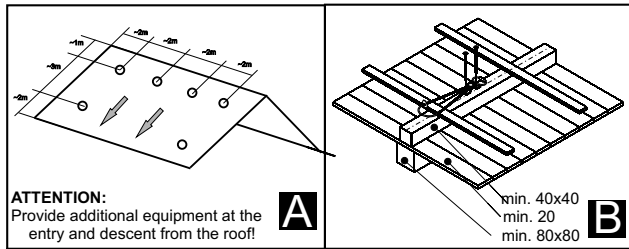
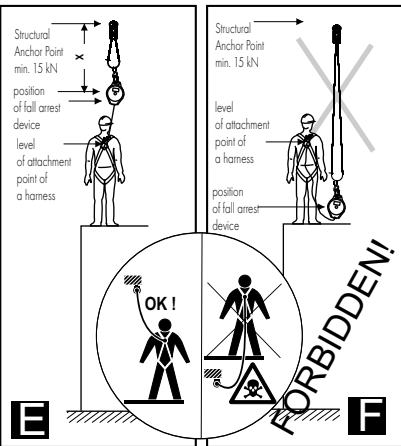
According to European standard EN 365:2004 and EN 795:2012 + A1:2000 Type A a requirement to check the legibility of the product markings  
PROTEKT 93-403 ŁÓDŹ ul. Starorudzka 9 POLAND TEL/FAX: (0 42) 683 03 21; 683 03 22

# PROTEKT®

## ATTACHING ANCHOR DEVICE AT192

- AT192 device must be set in the middle of the beam (pic. D) with usage of carpentry screws which has to be screw with 8 Nm torque. Minimal size of not supported rafter is 80x80 mm.
- In case of different roof structure one should use different screw lengths. It has to be choose individually according to picture C.  
Acceptable screws:  
8mm, length 100-400mm  
10mm, length 100-400mm
- AT192 device can be also set on the steel structure (pic. G) with usage of anchorage screws M12 with proper length and at least A2-70 class.
- It must be taken into consideration that during using connecting rope an additional distance "X" appears between structural anchor point to which the lanyard is connected and fall arrest device - drawing E  
This distance may influence functioning of fall arrest device, its position, and fall arrest distance. All calculations concerning safety of working place, fall arrest distance, free distance below working level must take into account this additional distance. The fall arrest device must be situated above the level of attachment point of a harness to which is connected. It is strictly forbidden to connect fall arrest device that its position is below a level of harness attachment point - drawing F.
- The deflection point does not exceed 5 mm.
- Check clearance beneath the user!!!

### Attention!



Using the anchor device AT192 in connection with fall arrest system must be compatible with use instructions of the fall arrest systems and obligatory standards:

- EN 361 - for safety harness;
- EN 353-2, EN 355, EN 360 - for fall arrest equipment.
- EN 362 - for the connectors.
- EN 795 - for anchorages.

The structural anchor point should be situated above the working place and the shape of the structural anchor point should not let self-acting disconnection of the device.

## THE ESSENTIAL PRINCIPLES FOR USERS OF PERSONAL PROTECTIVE EQUIPMENT AGAINST FALLS FROM A HEIGHT

the anchor point AT192 shall only be used by a person trained and competent in its safe use.

the anchor point AT192 must not be used by a person with medical condition that could affect the safety of the equipment user in normal and emergency use.

a rescue plan shall be in place to deal with any emergencies that could arise during the work.

it is forbidden to make any alterations or additions to the equipment without the manufacturer's prior written consent.

any repair shall only be carried out by equipment manufacturer or his certified representative.

the anchor point AT192 shall not be used outside its limitations, or for any purpose other than that for which it is intended.

the anchor point AT192 should be a personal issue item.

before use ensure about the compatibility of items of equipment assembled into a fall arrest system. Periodically check

connecting and adjusting of the equipment components to avoid accidental loosening or disconnecting of the components.

it is forbidden to use combinations of items of equipment in which the safe function of any one item is affected by or interferes with the safe function of another.

before each use of personal protective equipment it is obligatory to carry out a pre-use check of the equipment, to ensure that it is in a serviceable condition and operates correctly before it is used.

during pre-use check it is necessary to inspect all elements of the equipment in respect of any damages, excessive wear, corrosion, abrasion, cutting or incorrect acting, especially take into consideration:

- in full body harnesses and belts - buckles, adjusting elements, attaching points, webbings, seams, loops;
- in energy absorbers - attaching loops, webbing, seams, casing, connectors;
- in textile lanyards or lifelines or guidelines - rope, loops, thimbles, connectors, adjusting element, splices;
- in steel lanyards or lifelines or guidelines - cable, wires, clips, ferrules, loops, thimbles, connectors, adjusting elements;
- in retractable fall arresters - cable or webbing, retractor and brake proper acting, casing, energy absorber, connector;
- in guided type fall arresters - body of the fall arrester, sliding function, locking gear acting, rivets and screws, connector, energy absorber;
- in connectors - main body, rivets, gate, locking gear acting.

after every 12 months of utilization, personal protective equipment must be withdrawn from use to carry out periodical detailed inspection. The periodic inspection must be carried out by a competent person for periodic inspection. The periodic inspection can be carried out also by the manufacturer or his authorized representative.

In case of some types of the complex equipment e.g. some types of retractable fall arresters the annual inspection can be carried out only by the manufacturer or his authorized representative.

regular periodic inspections are the essential for equipment maintenance and the safety of the users which depends upon the continued efficiency and durability of the equipment.

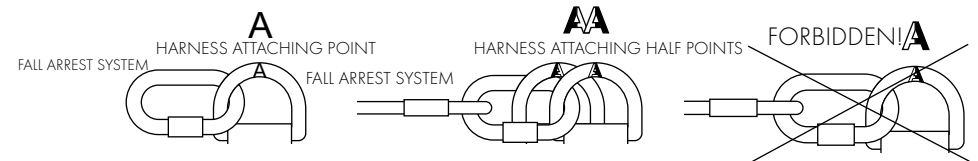
during periodic inspection it is necessary to check the legibility of the equipment marking.

it is essential for the safety of the user that if the product is re-sold outside the original country of destination the reseller shall provide instructions for use, for maintenance, for periodic examination and for repair in language of the country in which the product is to be used.

the anchor point AT192 must be withdrawn from use immediately when any doubt arise about its condition for safe use and not used again until confirmed in writing by equipment manufacturer or his representative after carried out the detailed inspection.

the anchor point AT192 must be withdrawn from use immediately and destroyed when it have been used to arrest a fall. a full body harness (conformed to EN 361) is the only acceptable body holding device that can be used in a fall arrest system.

in full body harness use only attaching points marked with big letter "A" to attach a fall arrest system. Marking like "A/2" or a half of "A" means the necessity of attaching a fall arrest system to both attaching points together simultaneously. It is strictly forbidden to attach a fall arrest system to the single attaching point marked "A/2" or a half of "A". See drawings below:



the anchor device or anchor point for the fall arrest system should always be positioned, and the work carried out in such a way, as to minimise both the potential for falls and potential fall distance. The anchor device/point should be placed above the position of the user. The shape and construction of the anchor device/point shall not allowed to self-acting disconnection of the equipment. Minimal static strength of the anchor device/point is 10 kN. It is recommended to use certified and marked structural anchor point complied with EN795.

it is obligatory to verify the free space required beneath the user at the workplace before each occasion of use the fall arrest system, so that, in the case of a fall, there will be no collision with the ground or other obstacle in the fall path. The required value of the free space should be taken from instruction manual of used equipment.

## ATTACHING ANCHOR DEVICE AT192

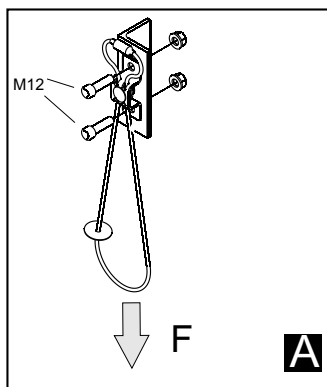
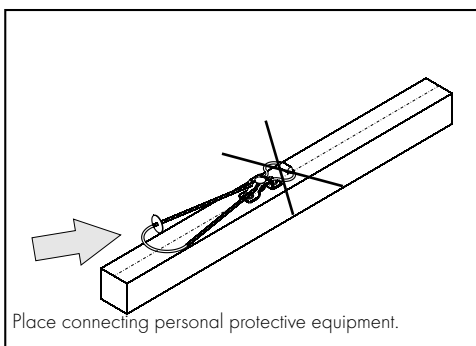
### INSTALLATION

1. Before installing, the AT192 anchor point should be stored in a clean, dry place, in the conditions which prevent from mechanical damage.
2. The installation of the anchor point must be conducted in accordance with the principles of making mechanical and construction connections. For joining, use M12 screws for AT192 anchors, made of at least stainless steel class A2-70. Screw length should be chosen according to the thickness of the elements combined.
3. Take into account the environmental conditions prevailing at the installation site, which might cause the corrosion of the anchor point and connectors.
4. Please follow the instructions concerning the installation, contained in the information annex to the EN795 standard.
5. The connection to concrete substrate must be performed using mechanical anchors with the M12 threaded shank. The concrete substrate should have a compressive strength of not less than 20MPa.
6. Installation examples are shown in the drawings.
7. Force transmitted to the structure is less than 12kN. For possible force directions see figure A.
8. The deflection point does not exceed 5 mm.
9. Check clearance beneath the user!!!

Using the anchor point AT192 in connection with fall arrest system must be compatible with use instructions of the fall arrest systems and obligatory standards:

- EN 361 - for safety harness;
- EN 353-2, EN 355, EN 360 - for fall arrest equipment.
- EN 362 - for the connectors.
- EN 795 - for anchorages.

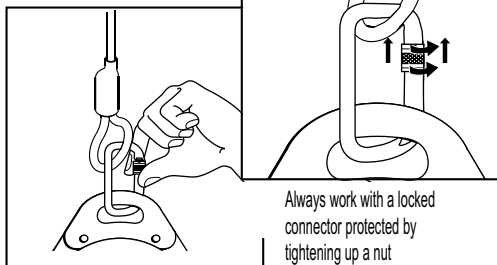
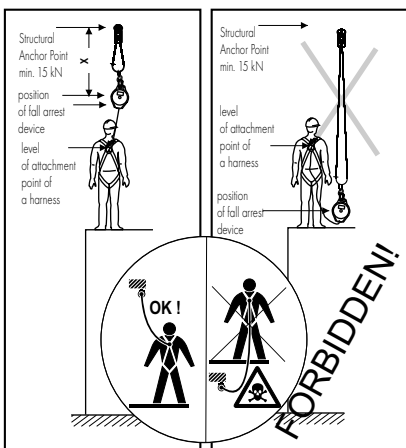
The structural anchor point should be situated above the working place and the shape of the structural anchor point should not let self-acting disconnection of the device



### ATTENTION:

Anchor device AT192 shall not be used alone as a fall arrest device.

## Attention!



Using the anchor device AT192 in connection with fall arrest system must be compatible with use instructions of the fall arrest systems and obligatory standards:

- EN 361 - for safety harness;
- EN 353-2, EN 355, EN 360 - for fall arrest equipment.
- EN 362 - for the connectors.
- EN 795 - for anchorages.

The structural anchor point should be situated above the working place and the shape of the structural anchor point should not let self-acting disconnection of the device.

## BASIC PRINCIPLES OF USE

1. Before installing the anchor point, read this manual and strictly adhere to its recommendations.
2. This manual must always be available for the installer or operator of the anchor point.
3. The anchor point can be installed only by persons with appropriate knowledge and experience in this field, in particular the knowledge of the EN795 standard, the knowledge of anchor installation in accordance with the guidelines of their manufacturers and the knowledge of this manual. The installed anchor point must be checked (approved) by a person competent in this area (e.g. an engineer or a qualified designer), who must also check the construction the building at the attachment point in terms of its strength.
4. The constructor of the anchor point is entirely responsible for its installation. Neither the manufacturer nor the distributor is responsible for careless or inconsistent with the recommendations assembly. Upon request, the manufacturer and/or distributor provide all necessary technical information concerning the product, its assembly technology, inspection and the product's declaration of conformity.
5. The personal protective equipment used with the anchor point must be attached using a connector compliant with EN362, taking into account the recommendations contained in the instructions for use of this equipment.
6. AT192 must only be used for the attachment of personal protective equipment against falls from a height, in accordance with EN795 type A, in such a way that the created protective system complies with EN363 standards.
7. In the case of the installation in materials other than those specified in this manual (e.g. in wood) the calculations checking the compliance of the strength of the attachment with EN795 must be commissioned to a qualified designer.
8. It is forbidden to use the anchor point with apparent defects (corrosion, cracks, deformation).
9. It is forbidden to use the anchor point, which was involved in arresting a fall.
10. It is forbidden to attach more than one person.
11. Using the anchor point for hoisting loads is forbidden.
12. Unauthorized modifications of the device are forbidden.
13. During the installation, the protective system must be planned in such a manner that the anchor point is located above the user.
14. In the protection system limiting force of fall below <math>\le 6\text{ kN}</math> has to be used for example retractable fall arrester or lanyard with energy absorber.

## THE ESSENTIAL PRINCIPLES FOR USERS OF PERSONAL PROTECTIVE EQUIPMENT AGAINST FALLS FROM A HEIGHT

the anchor point AT192 shall only be used by a person trained and competent in its safe use.  
the anchor point AT192 must not be used by a person with medical condition that could affect the safety of the equipment user in normal and emergency use.

a rescue plan shall be in place to deal with any emergencies that could arise during the work.

it is forbidden to make any alterations or additions to the equipment without the manufacturer's prior written consent.

any repair shall only be carried out by equipment manufacturer or his certified representative.

the anchor point AT192 shall not be used outside its limitations, or for any purpose other than that for which it is intended.

the anchor point AT192 should be a personal issue item.

before use ensure about the compatibility of items of equipment assembled into a fall arrest system. Periodically check connecting and adjusting of the equipment components to avoid accidental loosening or disconnecting of the components.

it is forbidden to use combinations of items of equipment in which the safe function of any one item is affected by or interferes with the safe function of another.

before each use of personal protective equipment it is obligatory to carry out a pre-use check of the equipment, to ensure that it is in a serviceable condition and operates correctly before it is used.

during pre-use check it is necessary to inspect all elements of the equipment in respect of any damages, excessive wear, corrosion, abrasion, cutting or incorrect acting, especially take into consideration:

- in full body harnesses and belts - buckles, adjusting elements, attaching points, webbings, seams, loops;
- in energy absorbers - attaching loops, webbing, seams, casing, connectors;
- in textile lanyards or lifelines or guidelines - rope, loops, thimbles, connectors, adjusting element, splices;
- in steel lanyards or lifelines or guidelines - cable, wires, clips, ferrules, loops, thimbles, connectors, adjusting elements;
- in retractable fall arresters - cable or webbing, retractor and brake proper acting, casing, energy absorber, connector;
- in guided type fall arresters - body of the fall arrester, sliding function, locking gear acting, rivets and screws, connector, energy absorber;
- in connectors - main body, rivets, gate, locking gear acting.

after every 12 months of utilization, personal protective equipment must be withdrawn from use to carry out periodical detailed inspection. The periodic inspection must be carried out by

a competent person for periodic inspection. The periodic inspection can be carried out also by the manufacturer or his authorized representative.

In case of some types of the complex equipment e.g. some types of retractable fall arresters the annual inspection can be carried out only by the manufacturer or his authorized representative.

regular periodic inspections are the essential for equipment maintenance and the safety of the users which depends upon the continued efficiency and durability of the equipment.

during periodic inspection it is necessary to check the legibility of the equipment marking.

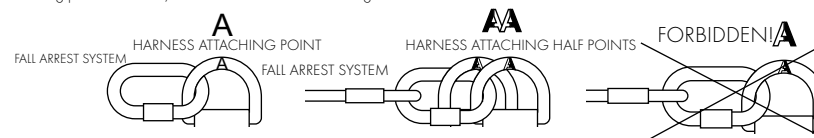
it is essential for the safety of the user that if the product is re-sold outside the original country of destination the reseller shall provide instructions for use, for maintenance, for periodic examination and for repair in language of the country in which the product is to be used.

the anchor point AT192 must be withdrawn from use immediately when any doubt arise about its condition for safe use and not used again until confirmed in writing by equipment manufacturer or his representative after carried out the detailed inspection.

the anchor point AT192 must be withdrawn from use immediately and destroyed when it have been used to arrest a fall.

a full body harness (conformed to EN 361) is the only acceptable body holding device that can be used in a fall arrest system.

in full body harness use only attaching points marked with big letter "A" to attach a fall arrest system. Marking like "A/2" or a half of "A" means the necessity of attaching a fall arrest system to both attaching points together simultaneously. It is strictly forbidden to attach a fall arrest system to the single attaching point marked "A/2" or a half of "A". See drawings below:



the anchor device or anchor point for the fall arrest system should always be positioned, and the work carried out in such a way, as to minimise both the potential for falls and potential fall distance. The anchor device/point should be placed above the position of the user. The shape and construction of the anchor device/point shall not allowed to self-acting disconnection of the equipment. Minimal static strength of the anchor device/point is 10 kN. It is recommended to use certified and marked structural anchor point complied with EN795.

it is obligatory to verify the free space required beneath the user at the workplace before each occasion of use the fall arrest system, so that, in the case of a fall, there will be no collision with the ground or other obstacle in the fall path. The required value of the free space should be taken from instruction manual of used equipment.