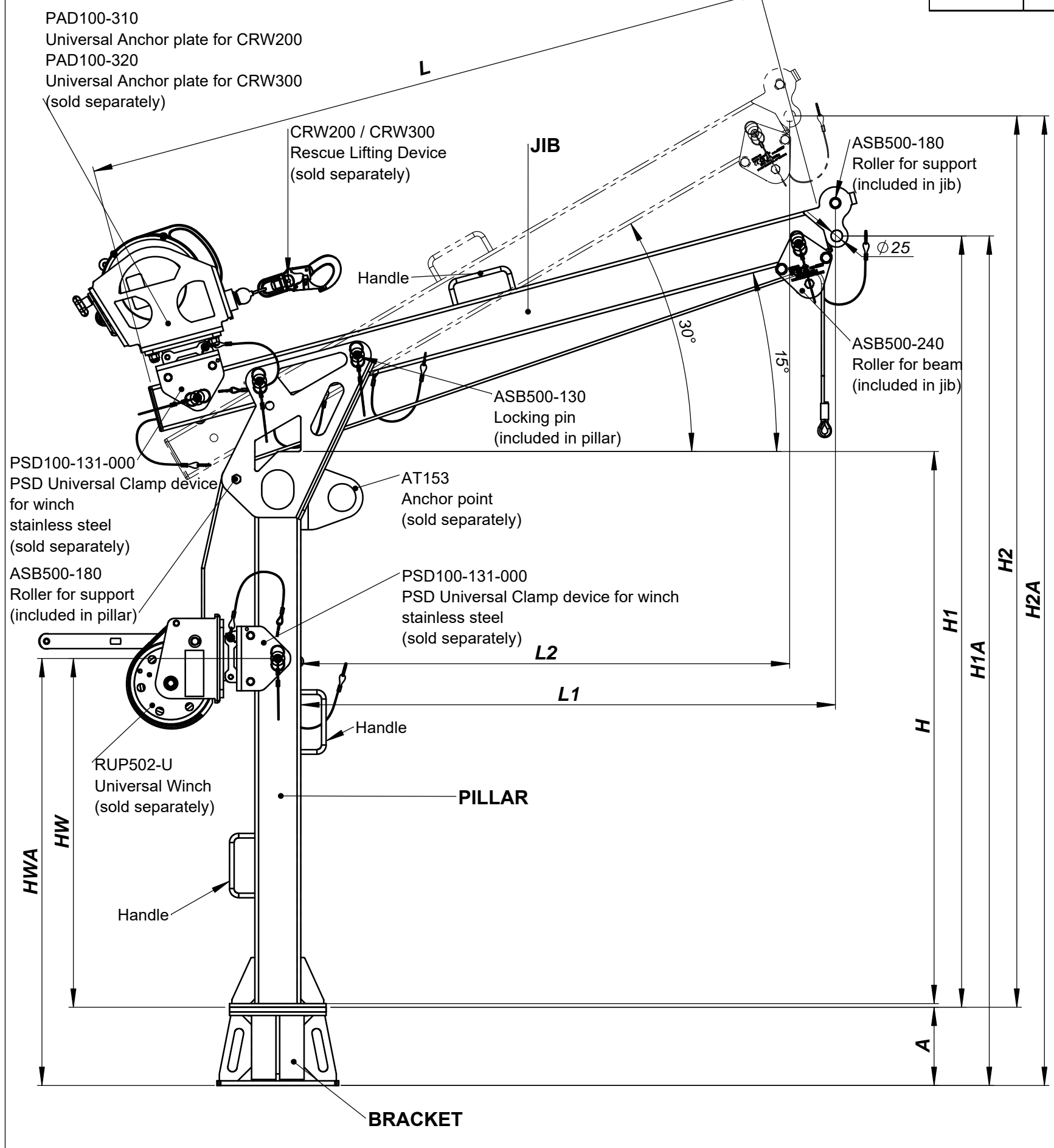


**DESCRIPTION**

PSD - Portable Steel Davit Arm System is environment resistant, fully modular lifting and lowering device. Can be used for lifting loads up to 500kg (indicated on the Jib) or for personal protection up to three people at the same time or for personal rescue operations using RUP502 / CRW200 / CR300 rescue lifting devices (up to 140kg). PSD device is made of stainless steel.

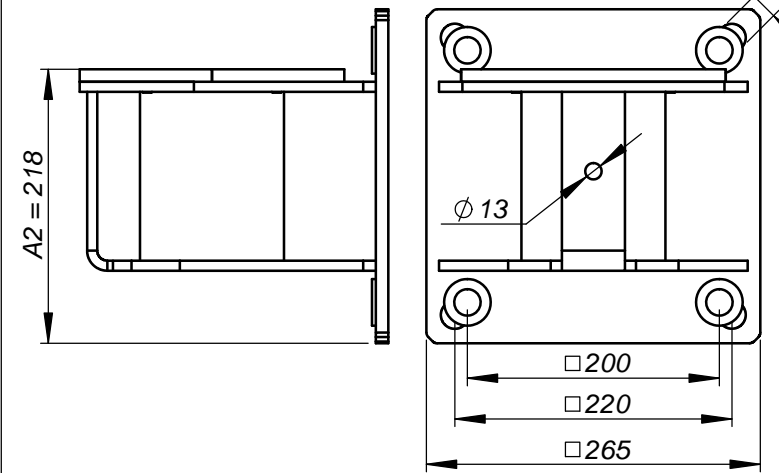
BRACKET REF	"A" [m]	Weight [kg]	PILLAR REF	"H" [m]	"HW" [m]	"HWA" [m]	Weight [kg]	JIB REF	"L" [m]	Weight [kg]	PSD SET														
											"L1" [m]	"L2" [m]	"H1" [m]	"H2" [m]	PSD SET REF	"H1A" [m]	"H2A" [m]	Weight [kg]							
PSD100-520-000 #2 WALL	0,22	11,45	PSD100-121-000	0,6	0,36	0,58	18,06	PSD100-110-000	1,5	20,7	1,16	1,06	1,08	1,34	PSD002-060-150	1,30	1,56	50,22							
		11,45					18,06								PSD100-111-000	2,0	26,7	1,65	1,50	1,21	1,59	PSD002-060-200	1,42	1,81	56,21
		11,45					25,50								PSD100-110-000	1,5	20,7	1,16	1,06	1,68	1,94	PSD002-120-150	1,90	2,16	57,66
PSD100-530-000 #3 GROUND	0,17	11,45	PSD100-120-000	1,2	0,75	0,97	25,50	PSD100-111-000	2,0	26,7	1,65	1,50	1,81	2,19	PSD002-120-200	2,02	2,41	63,65							
		10,66					18,06								PSD100-110-000	1,5	20,7	1,16	1,06	1,08	1,34	PSD003-060-150	1,25	1,51	49,43
		10,66					18,06								PSD100-111-000	2,0	26,7	1,65	1,50	1,21	1,59	PSD003-060-200	1,38	1,76	55,42
		10,66	25,50	PSD100-110-000	1,5	20,7	1,16	1,06	1,68	1,94	PSD003-120-150	1,85	2,11	56,87											
		10,66	25,50	PSD100-120-000	1,2	0,75	0,92	25,50	PSD100-111-000	2,0	26,7	1,65	1,50	1,81	2,19	PSD003-120-200	1,98	2,36	62,86						



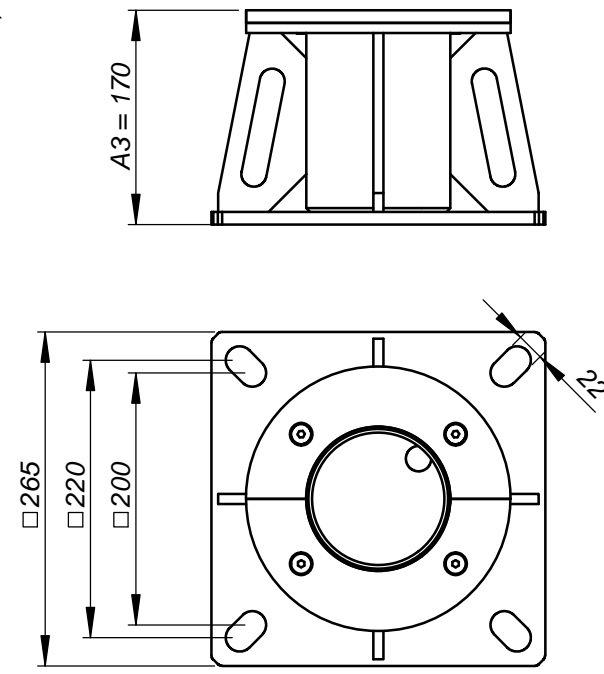
**REFERENCE NUMBER FOR PSD SET  
PSD"AAA"-"HHH"-"LLL"**

where:  
**PSD** - Type of Davit device  
**"AAA"** - Bracket  
 (002 - bracket #2 / 003 - bracket #3)  
**"HHH"** - Pillar height [cm]  
 (060 / 120)  
**"LLL"** - JIB lenght [cm]  
 (150 / 200)

**PSD100-520-000  
BRACKET #2 - WALL MOUNTING**  
 Made of stainless steel  
 Use with M20 anchor bolts.



**PSD100-530-000  
BRACKET #3 - GROUND MOUNTING**  
 Made of stainless steel.  
 Use with M20 anchor bolts.



**PARAMETERS**

	JIB 1.5m	JIB 2.0m
Working Load Limit (WLL) for lifing loads	500kg	300kg
Working Load Limit (WLL) for personal protection	140kg	100kg
Personal protection at the same time	3 people	1 person