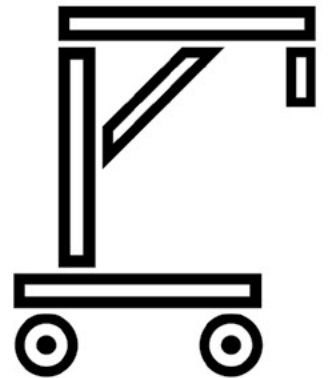


# PROTEKT®

MANUFACTURER OF FALL PROTECTION EQUIPMENT

# MOBILE FALL PROTECTION WORK STATIONS



Mobile anchor rail  
Rotary arm  
Movable platforms  
Mobile aluminium cranes  
Safety horizontal webbings  
Anchor points type B  
Anchor beams  
Anchor systems type C

2022/23





www.maco.pl







www.protekt.uk



## HEADQUARTERS

### OFFICE

Skromna 6  
93-405 Lodz  
Poland

Phone. +48 42 29 29 500  
info@protekt.com.pl  
Phone. +48 42 680-20-83  
fax +48 42 680-20-93

### GPS Coordinates:

51.71280369999999  
19.43326209999998

### WAREHOUSE

Gombrowicza 6  
93-405 Lodz  
Polska

### Correspondence Address:

Protekt  
Starorudzka 9  
93-403 Lodz  
Poland



## SALES DEPARTMENT

export@protekt.com.pl

### Aleksandra Reszka

Phone. +48 42 29 29 503  
ola@protekt.com.pl

### Monika Tychaczka

Phone. +48 42 29 29 506  
monikat@protekt.com.pl

### Anna Bracichowicz

Phone. +48 42 29 29 542  
anna@protekt.com.pl

### Joanna Kraska

Phone. +48 42 29 29 508  
asia@protekt.com.pl

### Agata Łukasiewicz

Phone. +48 42 29 29 510  
agata@protekt.com.pl



## GUIDING ENGINEER

### Janusz Paczesny

Phone +48 42 29 29 533  
Mobile +48 603 399 655  
januszp@protekt.com.pl



# TABLE OF CONTENTS

<b>8</b>	<b>MOBILE FALL PROTECTION WORK STATIONS</b>
<b>32</b>	<b>MOVABLE PLATFORMS</b>
<b>46</b>	<b>ANCHOR POINTS</b>

# RJ500



An excellent structural stability is ensured by inertial mass comprising concrete blocks.



# RJ 500

## Mobile anchor rail

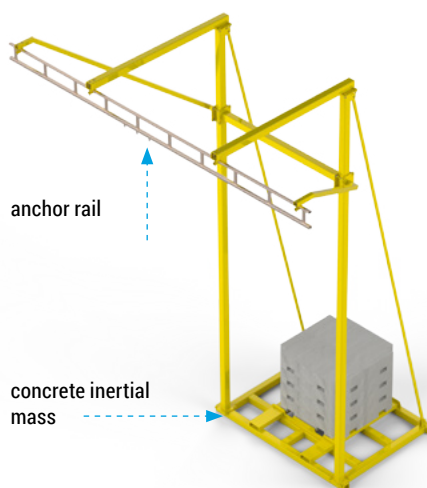
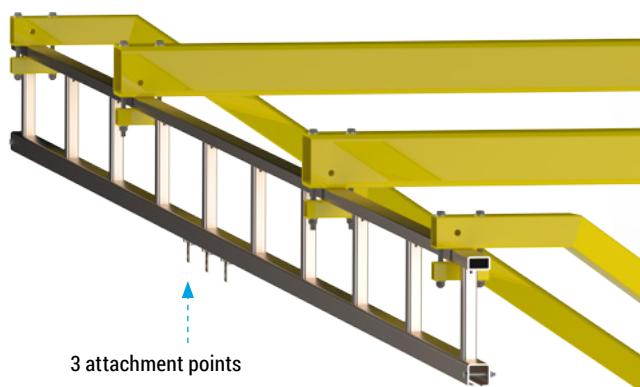
EN 795:2012 CLASS D  
CEN/TS 16415:2013

Ref. no.: RJ 500

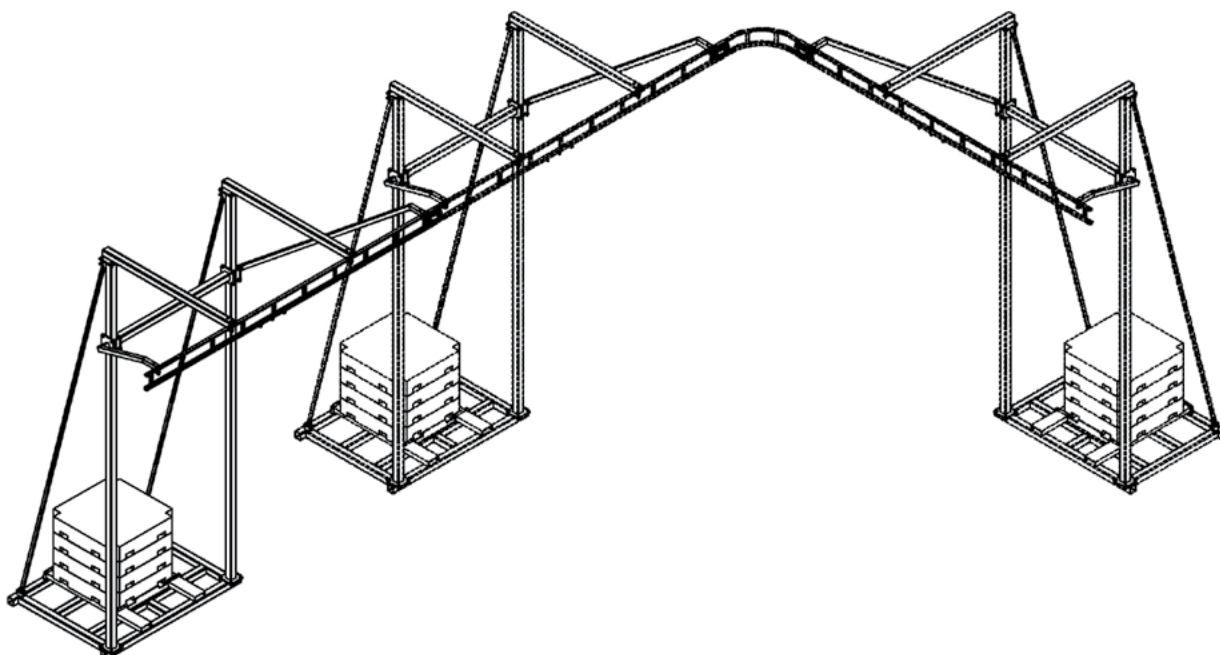
Mobile anchor rail RJ 500 is a complete fall protection system. An excellent structural stability is ensured by inertial mass comprising concrete blocks so it is not necessary to provide stable foundation or a support structure. RJ 500 is a modular device which can be interconnected to create any number of configurations and lengths as needed. Standard length of the rail is 6 running metres providing a track for horizontal travel of trolleys being anchor points for protected users. The rail is placed at 6.88m. RJ 500 is a device that will suit perfectly i.e. when servicing tanks, on railway siding and repair stations and whenever it is necessary to move safely on horizontal surfaces at a height.

### TECHNICAL DATA

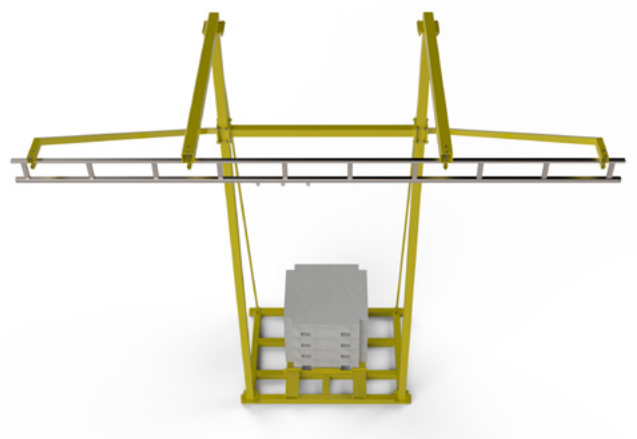
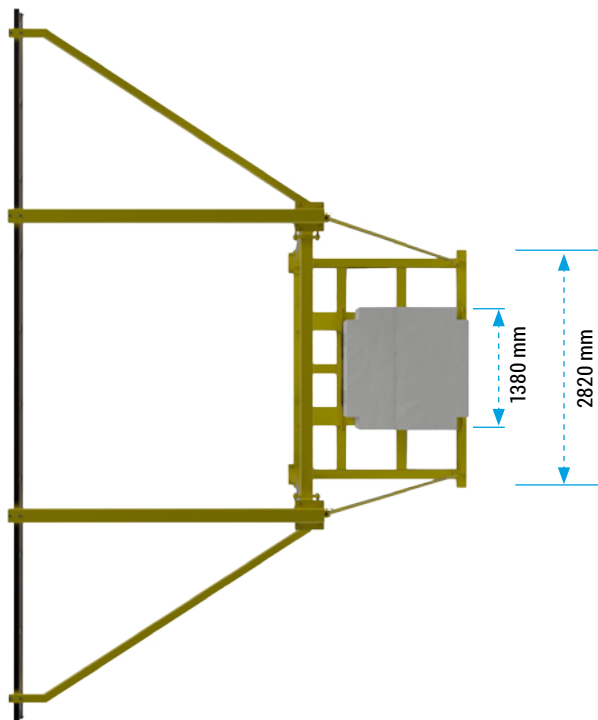
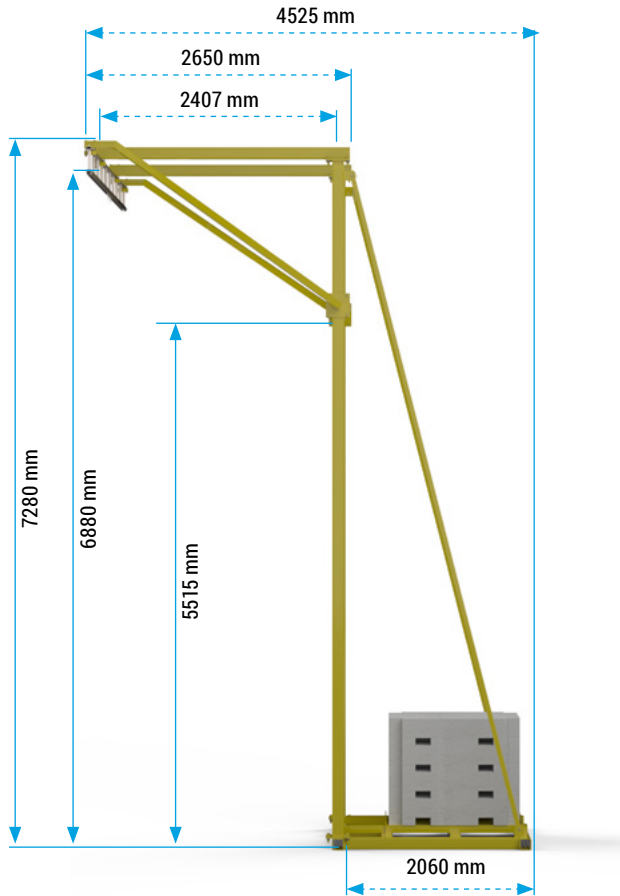
Material:	galvanized steel
Weight of concrete unit weights - 4 pcs.:	4100 kg
Weight of structure:	1420 kg
Length of rail of single segment:	6 m
Maximum number of users:	3



### EXAMPLE MODULAR CONNECTION



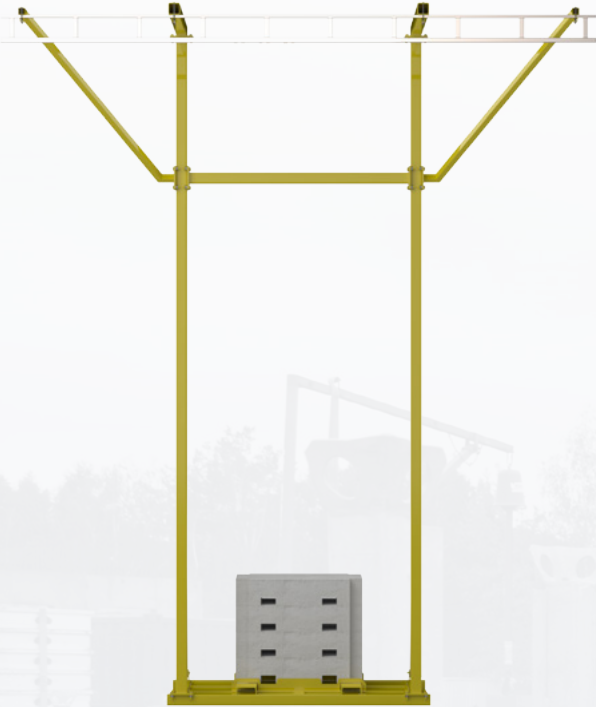
# Dimensions





# Elements of RJ500 kit

**1. FRAME + 4 CONCRETE UNIT WEIGHTS**  
RJ500 KIT



**2. CONCRETE UNIT WEIGHT**  
**1000 KG +/- 20 KG**  
RJ200.10.000



**3. RETRACTABLE TYPE FALL ARRESTER**  
CR 250V 10



**4. GUARD FOR RETRACTABLE  
TYPE FALL ARRESTER**  
OS 010



**5. SNAP HOOK**  
AZ 011



**6. FULL BODY HARNESS**  
P-30



# RJ 500

## Mobile anchor rail

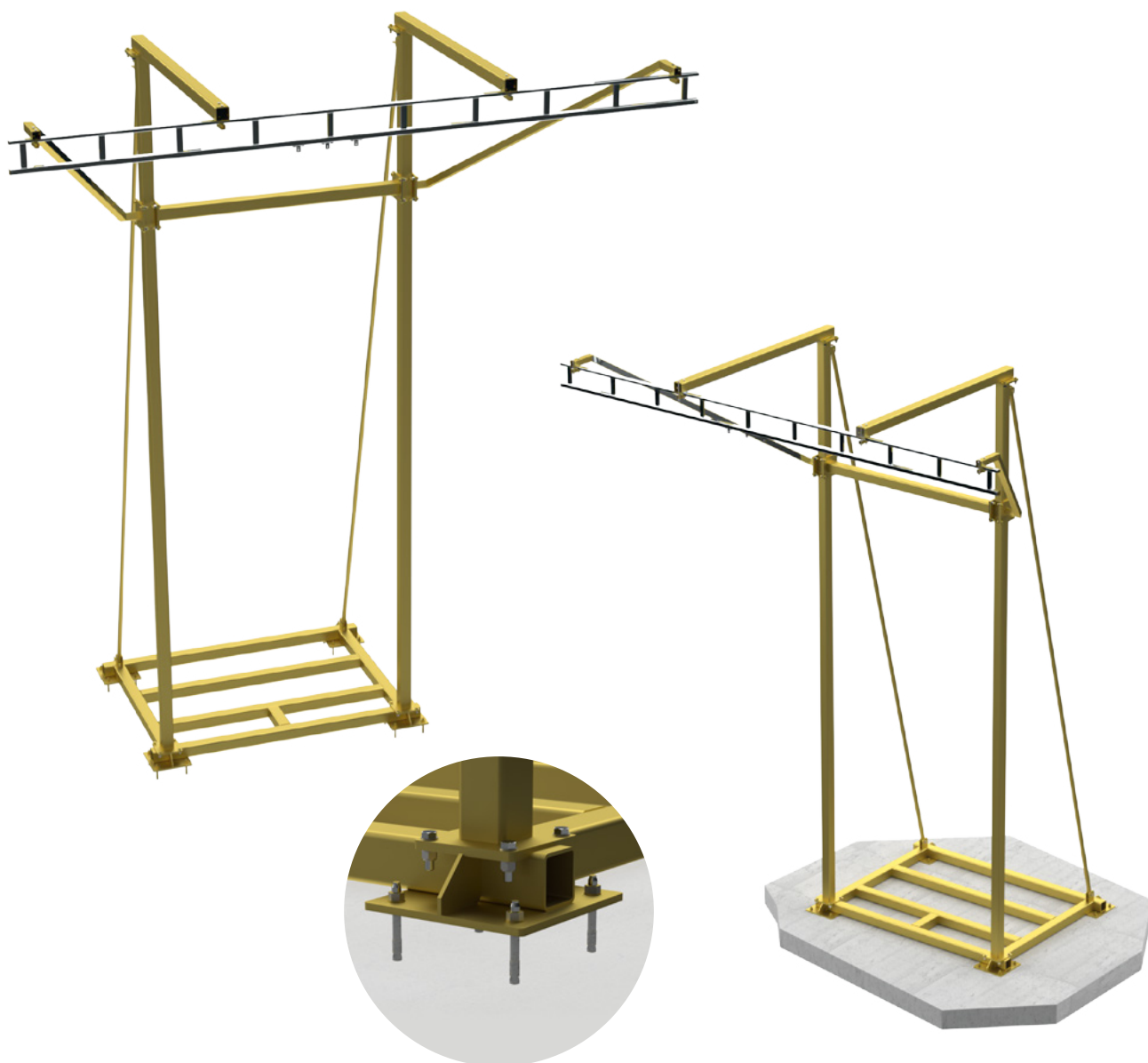
EN 795:2012 CLASS D  
CEN/TS 16415:2013

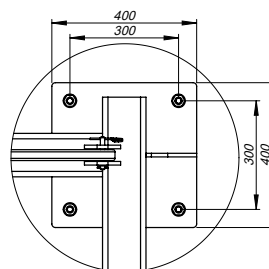
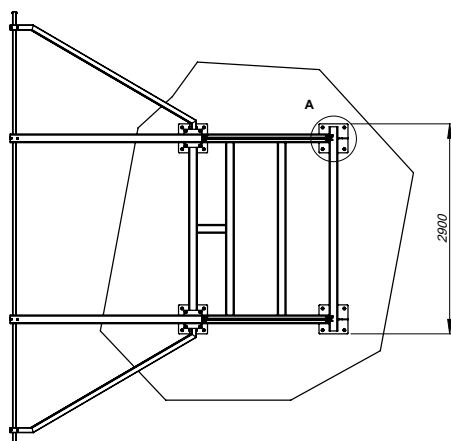
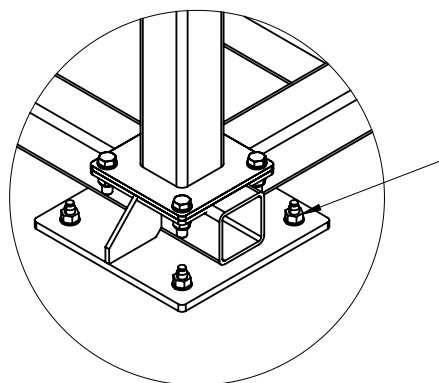
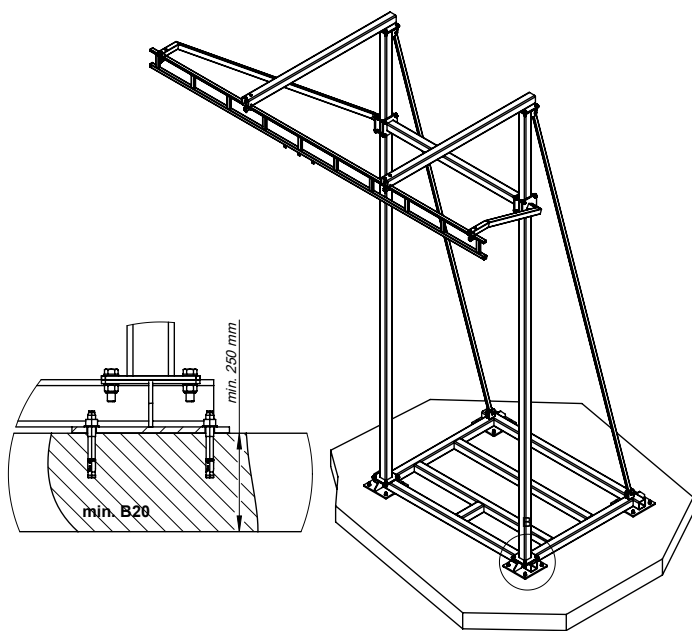
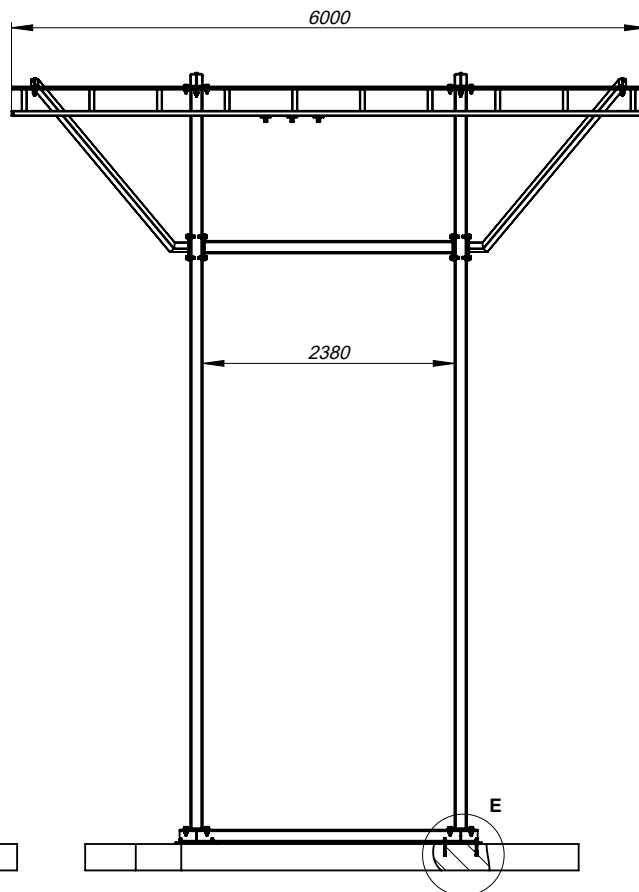
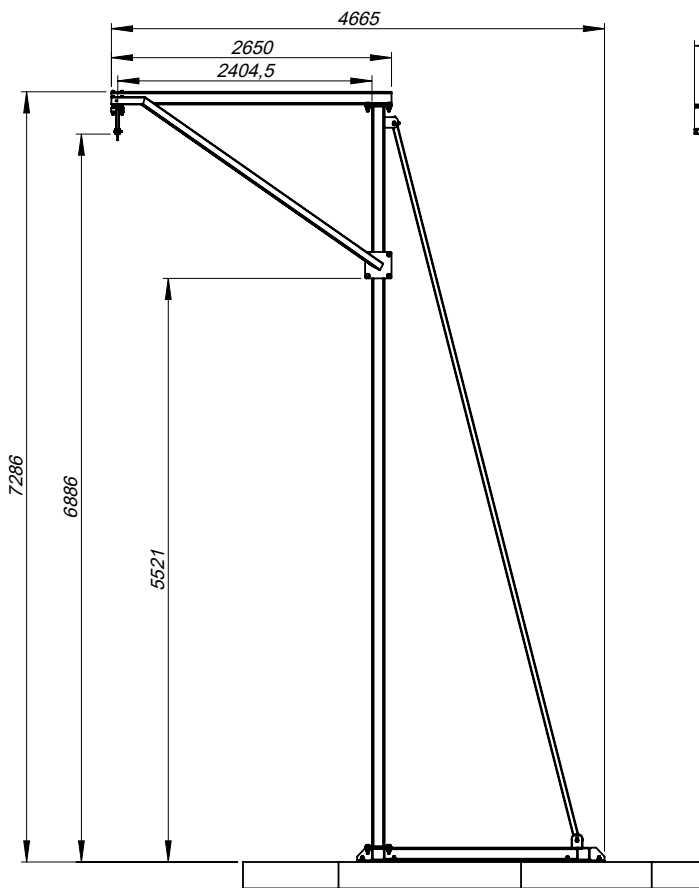
Ref.  
no.: **RJ 500**

Mobile anchor rail RJ 500 is a complete fall protection system. An excellent structural stability is ensured by inertial mass comprising concrete blocks so it is not necessary to provide stable foundation or a support structure. RJ 500 is a modular device which can be interconnected to create any number of configurations and lengths as needed. Standard length of the rail is 6 running metres providing a track for horizontal travel of trolleys being anchor points for protected users. The rail is placed at 6.88 m. RJ 500 is a device that will suit perfectly i.e. when servicing tanks, on railway siding and repair stations and whenever it is necessary to move safely on horizontal surfaces at a height.

### DANE TECHNICZNE

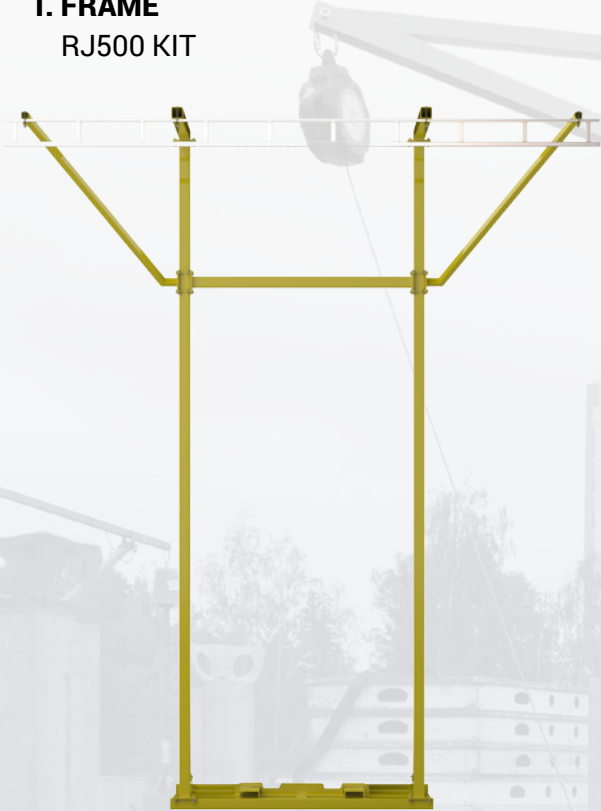
Material:	galvanized steel
Weight of concrete unit weights - 4 pcs.:	4100 kg
Weight of structure:	1420 kg
Length of rail of single segment:	6 m
Maximum number of users:	3





# Elements of RJ500 kit

**1. FRAME**  
RJ500 KIT



**3. RETRACTABLE TYPEE FALL ARRESTER**  
CR 250V 10





**4. GUARD FOR RETRACTABLE  
TYPEE FALL ARRESTER**  
OS 010



**5. SNAP HOOK**  
AZ 011



**6. FULL BODY HARNESS**  
P30

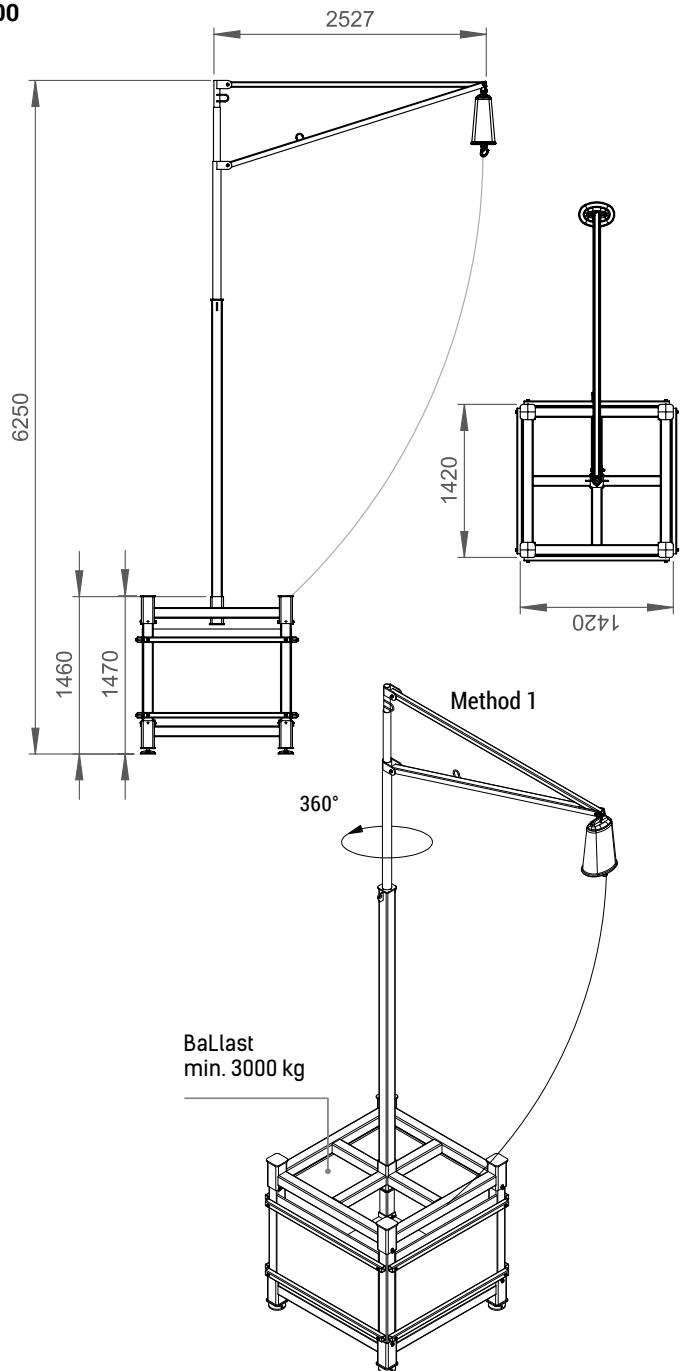
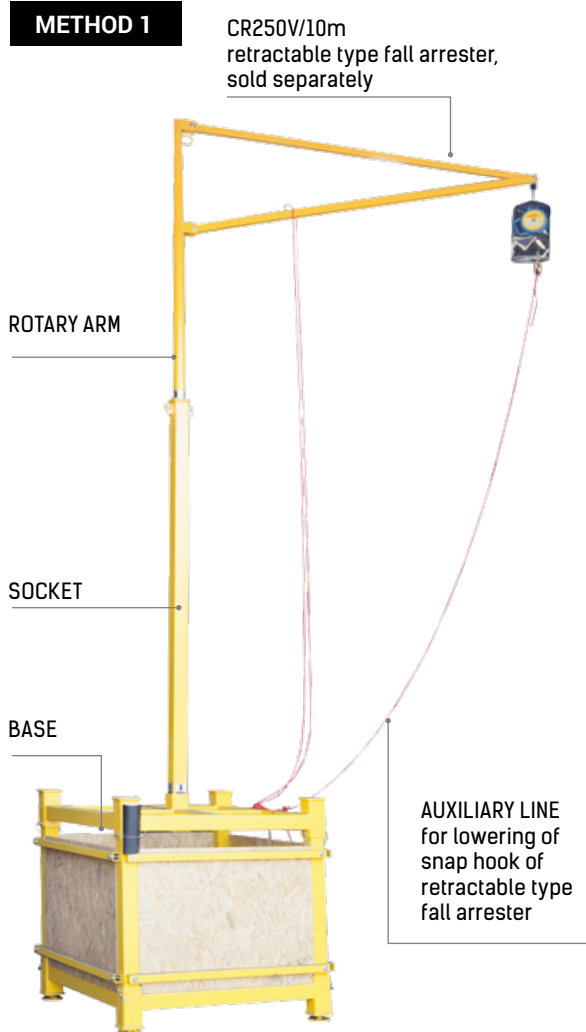


# RJ 200

## Rotary arm

EN 795:2012 CLASS B

Ref. no.: RJ 200



### USE:

- construction works on steel structures, works on facades based on steel structures,
- works at a height.

Device RJ 200 is designed for safe work when loading and unloading of vehicles and levellers. Anchor point for retractable type fall arrester is at 6.25 m and enables operation at 5 m from the "zero" level and within a 3.50 m radius from the device arm rotation.

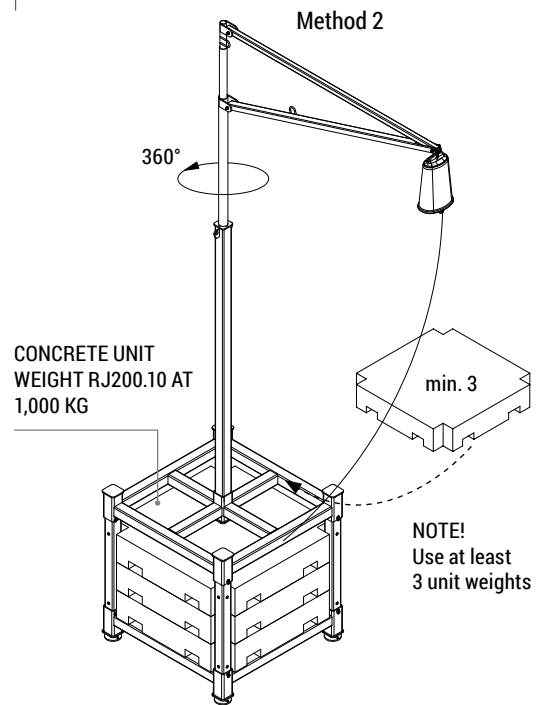
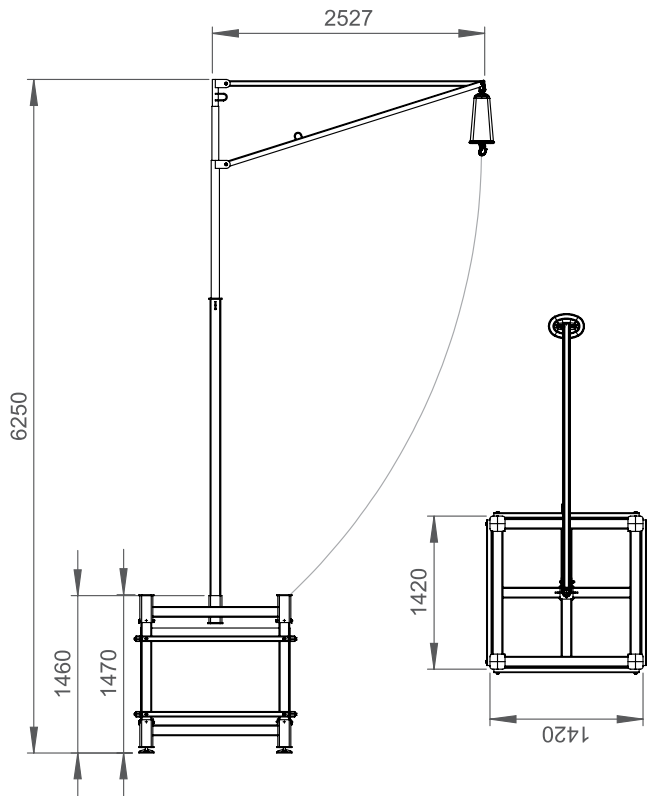
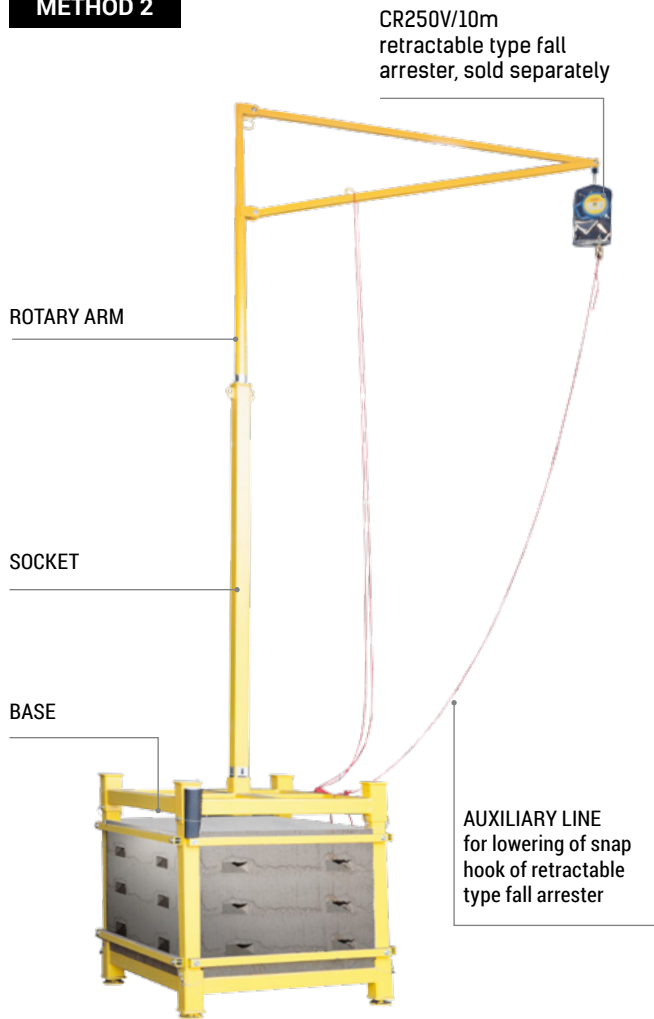
For operation with RJ 200 device it is recommended to use retractable type fall arrester CR250V/10m by PROTEKT. Retractable type fall arrester is installed on rotary arm. User attaches connector of retractable type fall arrester to full body harness (e.g. P30 by PROTEKT). The device RJ200 complies with EN 795 for Class B devices.

### PARAMETERS

#### Method 1

Material:	powder coated steel
Weight:	Base - 500 kg +/- 20 kg Socket - 76.4 kg Rotary arm - 65 kg Concrete unit weight - 1000 +/- 20 kg
Temperature range:	-30 °C / + 50 °C
Static strength:	no less than 12 kN (in accordance with EN795:2012 Class B).

## METHOD 2



### USE:

- construction works on steel structures, works on facades based on steel structures,
- works at a height.

Device RJ 200 is designed for safe work when loading and unloading of vehicles and levellers. Anchor point for retractable type fall arrester is at 6.25 m and enables operation at 5 m from the "zero" level and within a 3.50 m radius from the device arm rotation.

For operation with RJ 200 device it is recommended to use retractable type fall arrester CR250V/10 m by PROTEKT. Retractable type fall arrester is installed on rotary arm. User attaches connector of retractable type fall arrester to full body harness (e.g. P30 by PROTEKT). The device RJ200 complies with EN 795 for Class B devices.

PARAMETERS	Method 2
Material:	powder coated steel
Weight:	Base - 500 kg +/- 20 kg Socket - 76.4 kg Rotary arm - 65 kg Concrete unit weight - 1000 kg +/- 20 kg
Temperature range:	-30 °C / + 50 °C
Static strength:	no less than 12 kN (in accordance with EN795:2012 Class B).

# RJ 200 VARIANTS

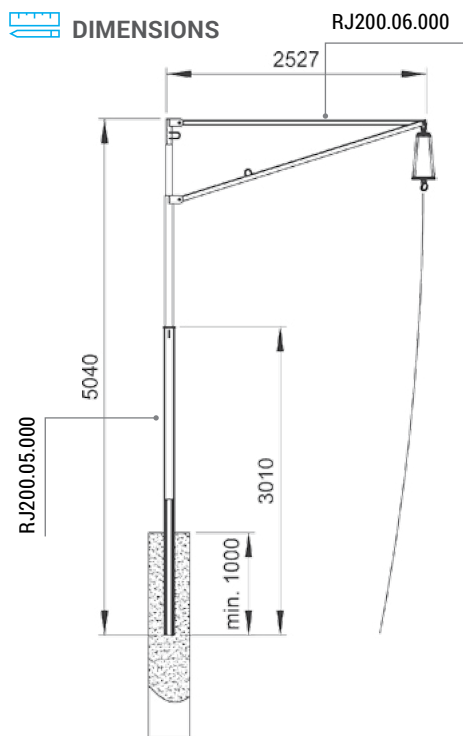
## METHOD 3

### RJ 200 for embedding in concrete elements

Socket is embedded in a concrete structure, and arm can be moved between sockets.

#### NOTE!

Minimum depth for embedding the socket in concrete is 1m.



#### USE:

- construction works on construction site or boarding works,
- works at a height.

#### PARAMETERS Method 3

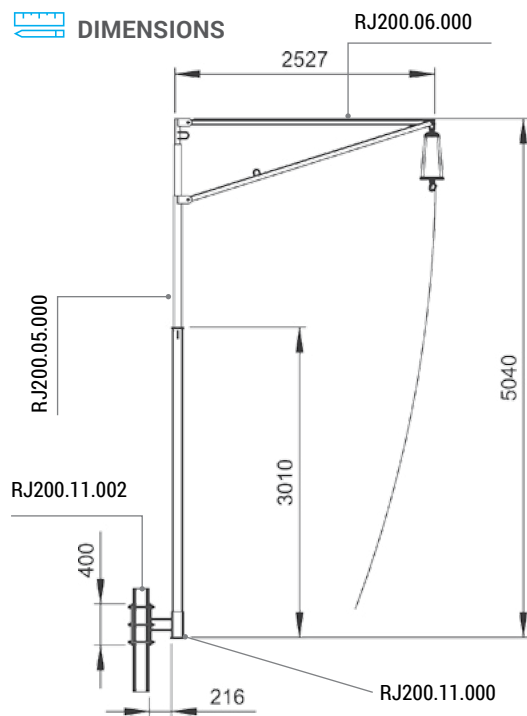
Material:	powder coated steel
Weight:	socket - 76,4 kg rotary arm - 65 kg
Temperature range:	-30°C / +50°C
Static strength:	no less than 12 kN (in accordance with EN795:2012 Class B).

## METHOD 4

### RJ 200 for mounting on steel structures

Device RJ 200 can be used as an anchor point for mounting on steel structures using special side seat and retaining plate and screws or threaded rods M16.

Seat with retaining plate forms a "clamp" around steel structure without interfering with its framework.



#### USE:

- construction works on steel structures, works on facades based on steel structures,
- works at a height.

#### PARAMETERS Method 4

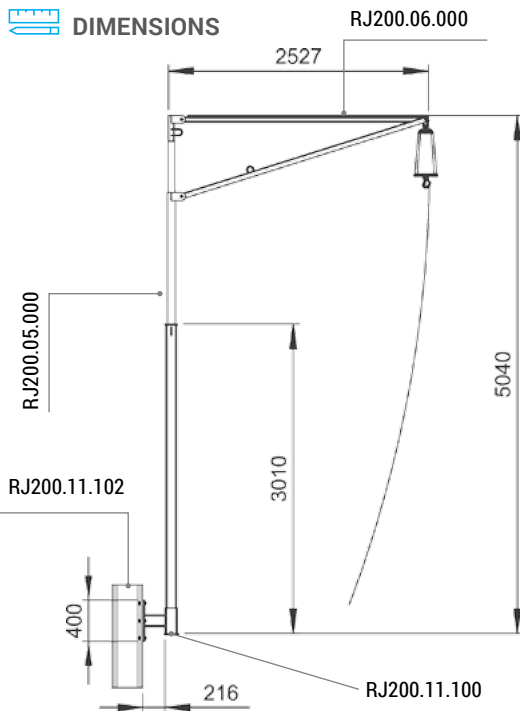
Material:	powder coated steel
Weight:	socket - 76,4 kg rotary arm - 65 kg side seat - 25 kg plate - 12 kg
Temperature range:	-30°C / +50°C
Static strength:	no less than 12 kN (in accordance with EN795:2012 Class B).

## METHOD 5

### RJ 200 for mounting on steel or concrete structures

Device RJ 200 can be used as an anchor point for mounting on steel or concrete structures using special side seat and screws or threaded rods M16.

It is required to prepare bore holes in the structure.

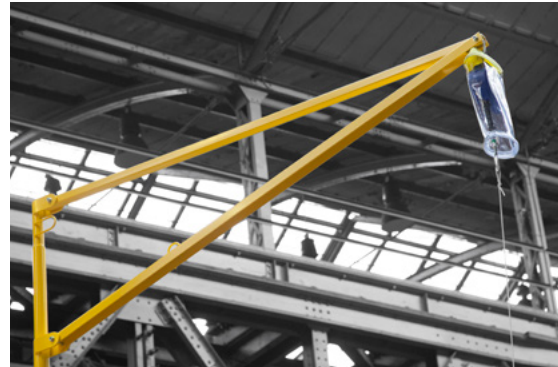


#### USE:

- construction works on steel or reinforced-concrete structures, works on façades based on steel or reinforced-concrete structures,
- works at a height.

#### PARAMETERS

PARAMETERS	Method 5
Material:	powder coated steel
Weight:	socket - 76,4 kg rotary arm - 65 kg side seat - 25 kg
Temperature range:	-30°C / +50°C
Static strength:	no less than 12 kN (in accordance with EN795:2012 Class B).



# Elements of RJ200 kit

**1. ROTARY ARM**  
RJ200.06.000



**2. SOCKET**  
RJ200.05.000



**3. BASKET**  
RJ200



**4. CONCRETE UNIT WEIGHT**  
**1000,0 KG +/- 20,0 KG**  
RJ200.10.000



**5. SIDE SOCKET + PLATE**  
RJ200.11.000 + RJ200.11.002



**6. LARGE SIDE SOCKET + LARGE PLATE**  
RJ200.11.100 + RJ200.11.102



**7. RETRACTABLE TYPE  
FALL ARRESTER**  
CR 250V 10



**8. GUARD FOR RETRACTABLE  
TYPE FALL ARRESTER**  
OS 010



**9. SNAP HOOK**  
AZ 011



**10. FULL BODY HARNESS**  
P30



# RJ2000-B



**Rotary arm is made of steel  
S235 protected against  
corrosion by coating.**

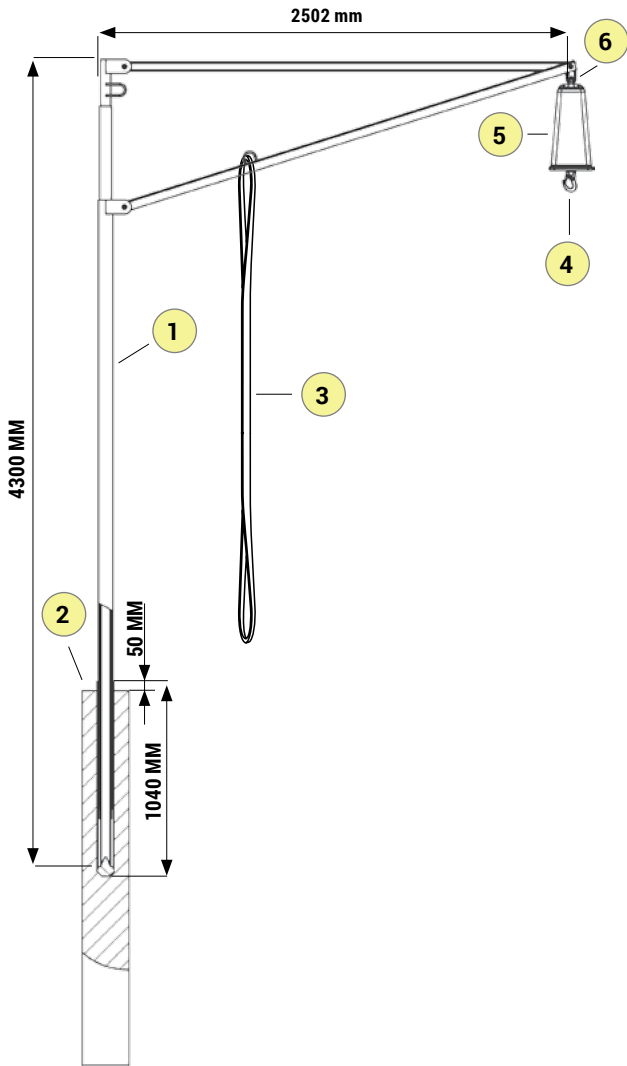


# RJ 200-B1

## Rotary arm

EN795:2012

Ref. no.: RJ 200-B1



Device RJ200-B is designed for fall protection of one user. The kit comprises main elements such as rotary arm and socket embedded in concrete structure. The arm can be moved between sockets.

### SPECIAL FEATURES



**PROTECTION FOR 1 USER**

### PARAMETERS

Material:	powder coated steel
Weight:	socket - 2.125 kg rotary arm - 83.14 kg
Temperature range:	-30°C / +50°C
Static strength:	no less than 12 kN (in accordance with EN795:2012 Class B).

#### 1) ROTARY ARM RJ200.06.000-B

Rotary arm is made of steel S235 protected against corrosion by coating. To facilitate transport the arm can be folded.

#### 2) HOUSING TUBE RJ200.05.000-B

Housing tube RJ200.05.000-B is designed for embedding arm RJ200.06.000-B in concrete structure. The tube is embedded during concreting / casting of concrete structural element and remains within until completion of works. After works are completed the tube can be filled with concrete and left in the element. Minimum depth for embedding the socket is 900 mm. When embedding the tube its upper (open) part should be plugged temporarily to enable the inside of the tube to be filled with fresh concrete.

#### 3) TRANSPORT SLING (2M) WS 005 02

Transport sling is used to assist embedding of rotary arm in the socket and its removal using a crane. It is an extension enabling detachment of crane hook from a level where the user remains.

#### 4) RETRACTABLE TYPE FALL ARRESTER (6M) CR 250 HV 06

Retractable type fall arrester CR250 HV is a certified (in accordance with EN 360 VG11.060 VG11.062) retractable type fall arrester for use in both the vertical and the horizontal, in plastic cover with expandable steel cable and the cover-integrated swivel. The device has an additional system for absorbing of fall energy fitted at snap hook. It is intended for works requiring significant mobility in respect to attachment point. There is no need to use neither an energy absorber nor line AZ 800 for work in the horizontal.

#### 5) GUARD FOR RETRACTABLE TYPE FALL ARRESTER OS 010

Guard OS 010 is used to protect retractable type fall arrester against weather and rain or snow in particular.

#### 6) SNAP HOOK AZ011

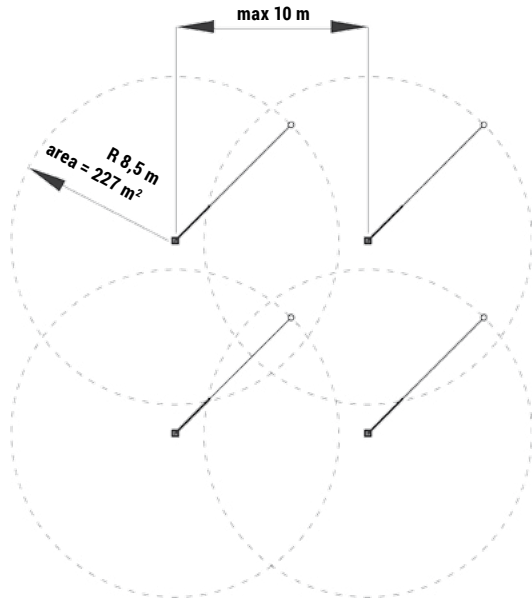
Snap hook AZ011 is a certified (in accordance with EN 362) connector to connect retractable type fall arrester, through the guard OS 010, to rotary arm RJ.200.06.000-B. When using the snap hook please refer to its instruction manual.

#### 7) FULL BODY HARNESS P30

Full body harness is a certified (according to EN 361) personal protective equipment which should be at hand to use the kit. The user must wear full body harness in accordance with its instruction manual. Full body harness should be equipped with a non-removable "extension" allowing for independent connection of the user to a retractable type fall arrester.

# Maximum

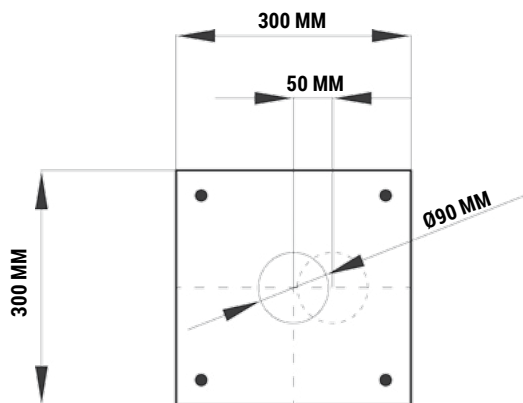
distance between sockets.



# Socket

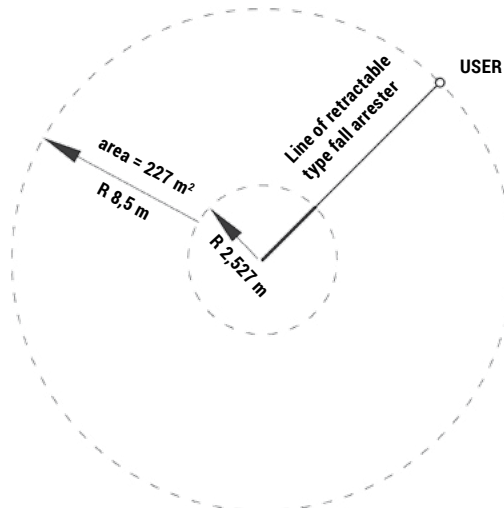
can be embedded in tubes of min. 300 x 300 mm.

Maximum tolerance for shifting of socket from its axis is 50 mm.



# Area and radius

of work when using RJ200-B kit.





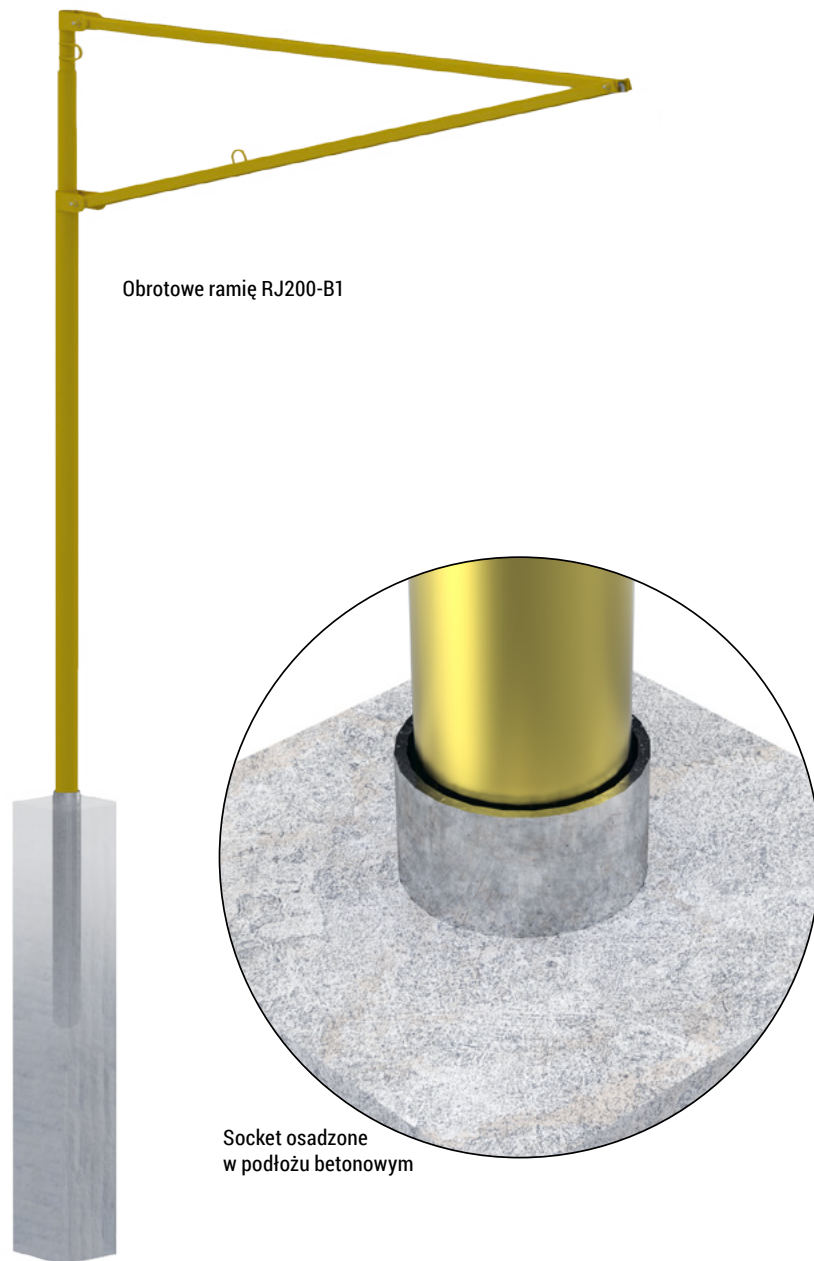
Area of work is **227 m<sup>2</sup>**,  
and radius is **8.5 m**.



**Rotary arm is made of steel S235 protected against corrosion by coating.**

# View of rotary arm

embedded in housing tube



REF. NO.:

RJ200-B kit	1) ROTARY ARM RJ200.06.000-B 2) HOUSING TUBE RJ200.05.000-B
J200-B kit	3) TRANSPORT SLING (2m) WS 005 02 4) RETRACTABLE TYPE FALL ARRESTER (6m) CR250 HV 06 5) GUARD FOR RETRACTABLE TYPE FALL ARRESTER OS 010 6) SNAP HOOK AZ011 7) FULL BODY HARNESS P30

# Elements of RJ200-B kit

## 1. ROTARY ARM

RJ200.06.000-B



## 2. HOUSING TUBE

RJ200.05.000-B



## 3. TRANSPORT SLING (2M)

WS 005 02



## 4. RETRACTABLE TYPE FALL ARRESTER

CR 250HV 06



**5. GUARD FOR RETRACTABLE  
TYPE FALL ARRESTER**  
OS 010



**6. SNAP HOOK**  
AZ 011



**7. FULL BODY HARNESS**  
P30



UDŹWIG 6,3 t

Movable platforms

**RS 300**

**RS 300F**

**RS 300K**

**RS 300S**

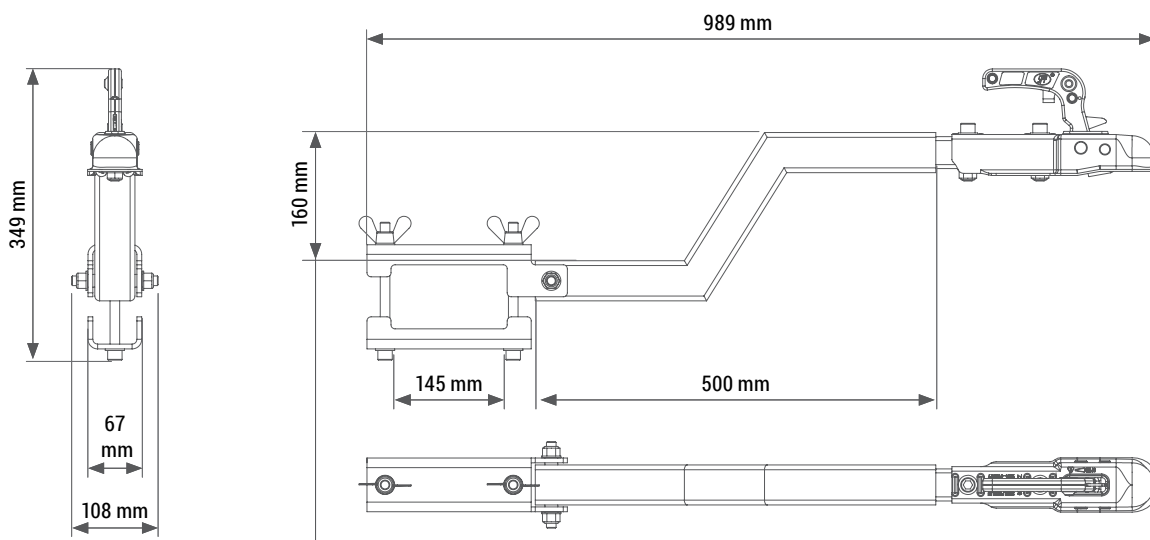
**RS 300VC**



# RS 300 HAK

## Movable tank platform

Ref. no.: RS 300 HAK



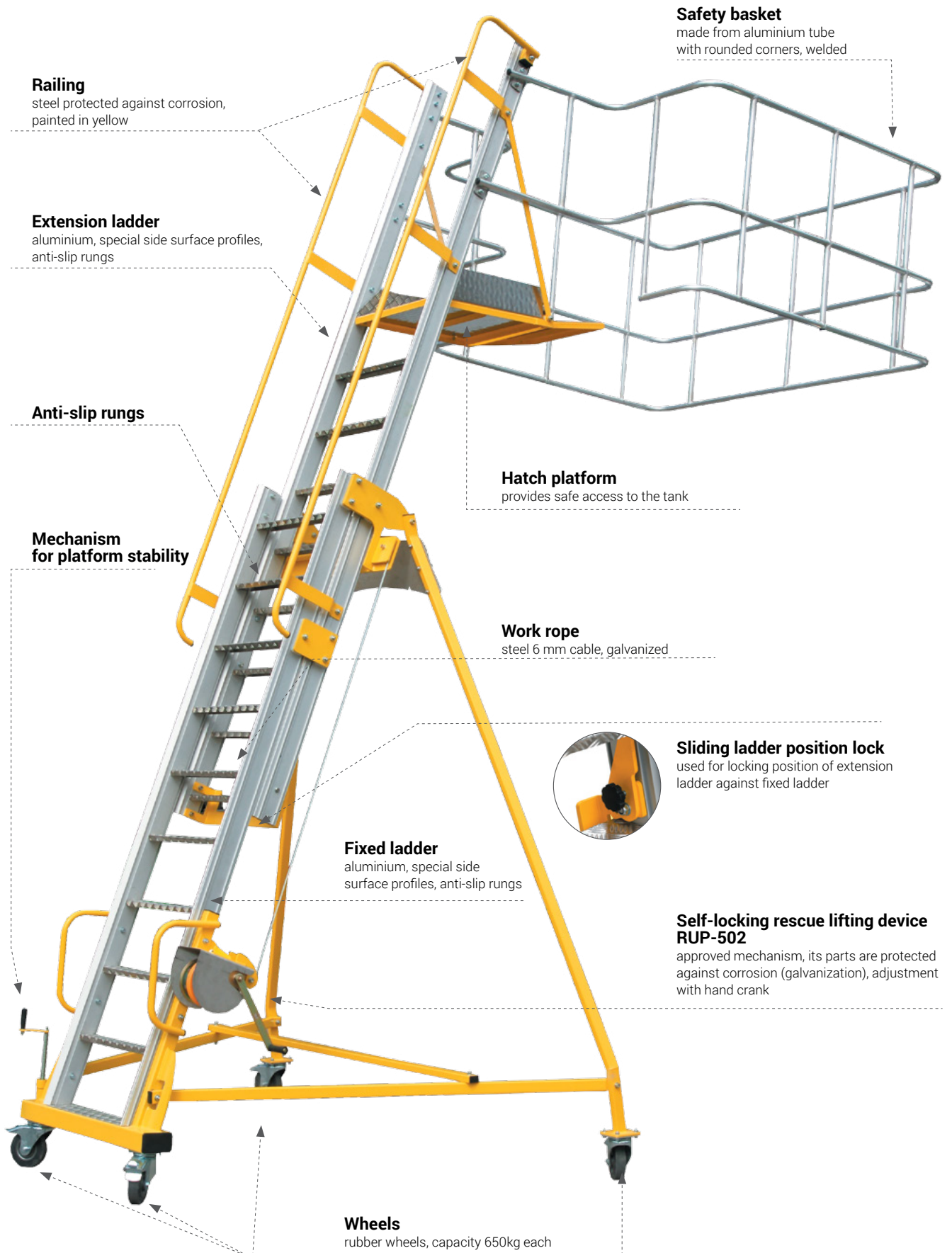
### PARAMETERS

Material:	steel
Permissible speed:	max. 5 km/h

# RS 300

## Movable tank platform

Ref. no.: RS 300



**Railing**  
steel protected against corrosion,  
painted in yellow

**Extension ladder**  
aluminium, special side surface profiles,  
anti-slip rungs

**Anti-slip rungs**

**Mechanism  
for platform stability**

**Hatch platform**  
provides safe access to the tank

**Work rope**  
steel 6 mm cable, galvanized

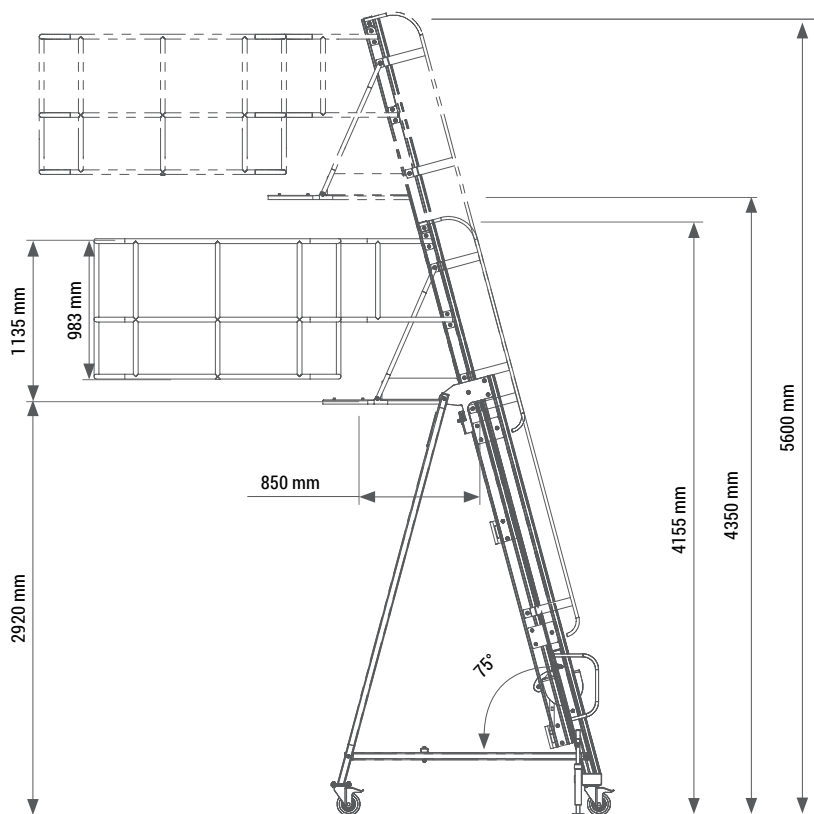
**Safety basket**  
made from aluminium tube  
with rounded corners, welded

**Sliding ladder position lock**  
used for locking position of extension  
ladder against fixed ladder

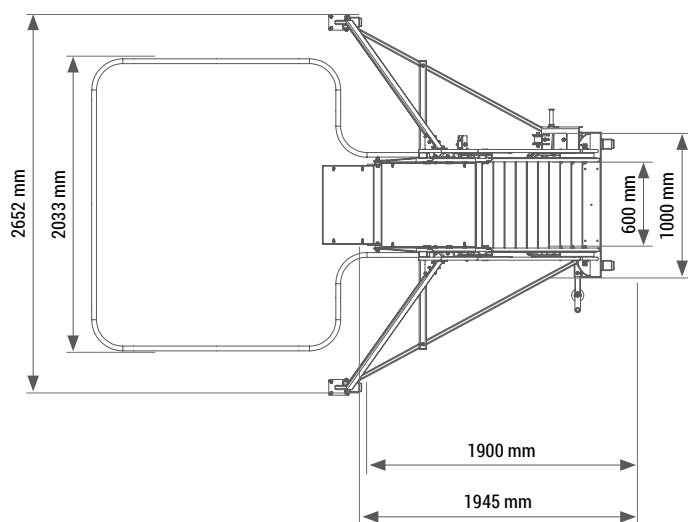
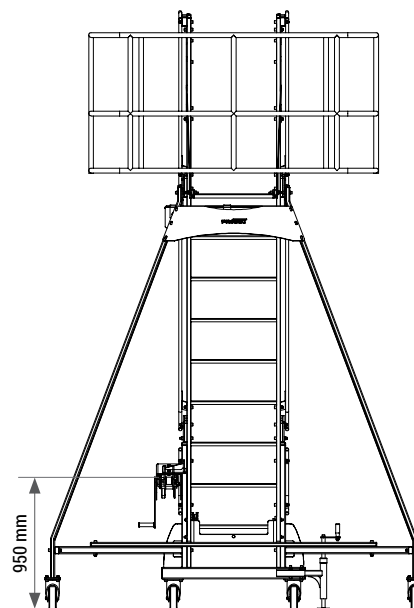
**Fixed ladder**  
aluminium, special side  
surface profiles, anti-slip rungs

**Self-locking rescue lifting device  
RUP-502**  
approved mechanism, its parts are protected  
against corrosion (galvanization), adjustment  
with hand crank

**Wheels**  
rubber wheels, capacity 650kg each



**Possibility of platform customization upon Customer's request.**



## PARAMETERS

Dimensions when folded:	3,55 m x 2,65 m x 4,30 m
Dimensions when unfolded:	3,95 m x 2,65 m x 5,60 m
Working height:	2,95 m to 4,35 m
Maximum load:	120 kg (1 user)
Weight:	160 kg

Moveable tank platform RS 300 F has been designed to enable safe access to loading hatches on tank trucks or container ships. The platform allows worker servicing the tank truck to get on its tank and carry out all the required works in a safe manner. The extension ladder of the platform enables working height adjustment to the desired height (tank truck height). The extension ladder motion against the fixed ladder is locked after working height is adjusted. This provides for additional protection against falling of the ladder. The hatch platform provides problem-free access from the ladder onto the tank truck. Compact structure is supported on six rubber wheels, and can be moved easily to other hatches and taken away from the truck when the work is completed. The structure has aluminium work place railing. Additional frame equipped with anchor point for personal fall protection equipment (e.g. retractable type fall arrester WR100) provides additional protection when ascending and descending the ladder, and working within the platform. Height of the railing provides protection against falls after tripping or slipping.

The platform ladder is equipped with handrails for safe ascending and descending. The platform is made of high-durability aluminium alloy of special shape, and stable chassis is made of steel protected against the adverse weather conditions. The ladder rungs are made from textured stainless steel sheet preventing user's slippage.

# RS 300F

## Movable tank platform

Ref. no.: RS 300F

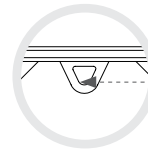
### Safety basket

made from aluminium tube  
with rounded corners, welded



### FRAME WITH ANCHOR POINT

for attachment of personal fall protection equipment



**ANCHOR POINT FOR PERSONAL FALL PROTECTION EQUIPMENT COMPLYING WITH - EN 795:2012, E.G. WR100:**

### Railing

steel, protected against corrosion,  
painted in yellow

### Extension ladder

aluminium, special side surface profiles,  
anti-slip rungs

### Hatch platform

provides safe access to the tank



### Sliding ladder position lock

used for locking position of extension ladder  
against fixed ladder

### Fixed ladder

aluminium, special side surface profiles,  
anti-slip rungs

### Self-locking rescue lifting device RUP-502

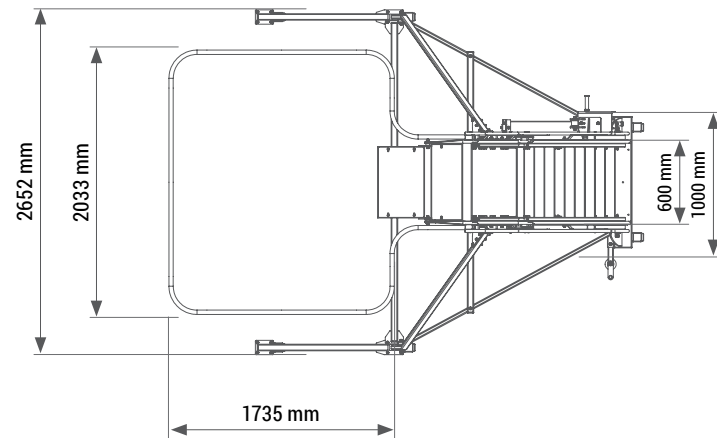
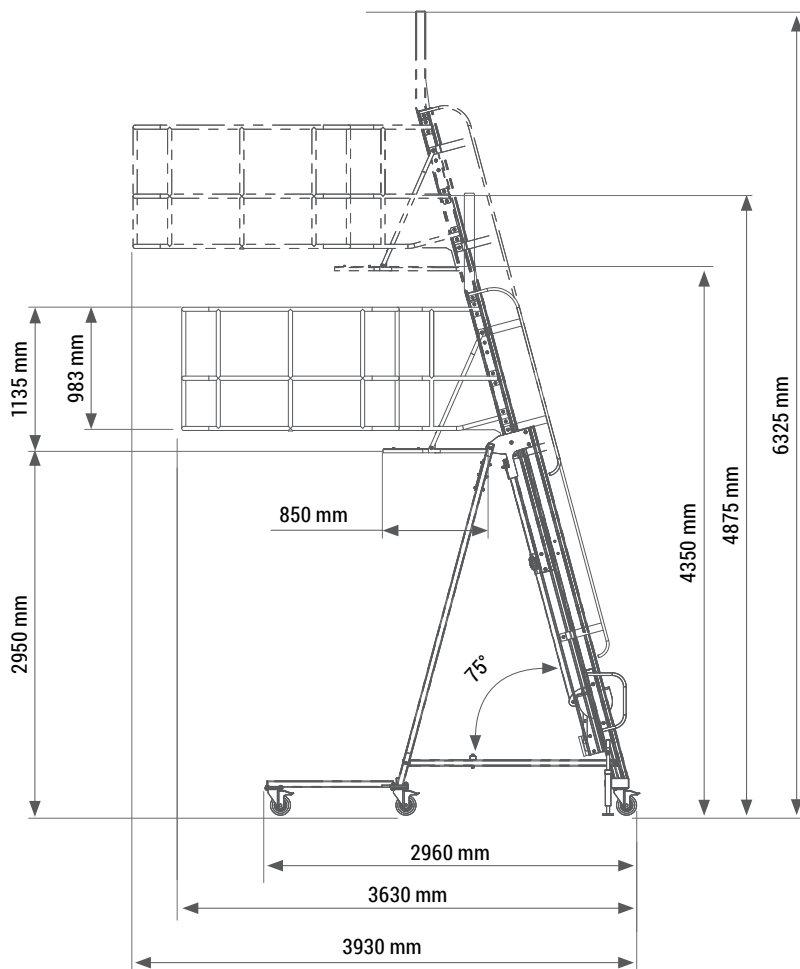
approved mechanism,  
its parts are protected  
against corrosion  
(galvanization), adjustment  
with hand crank

### STABILISING SUPPORTS

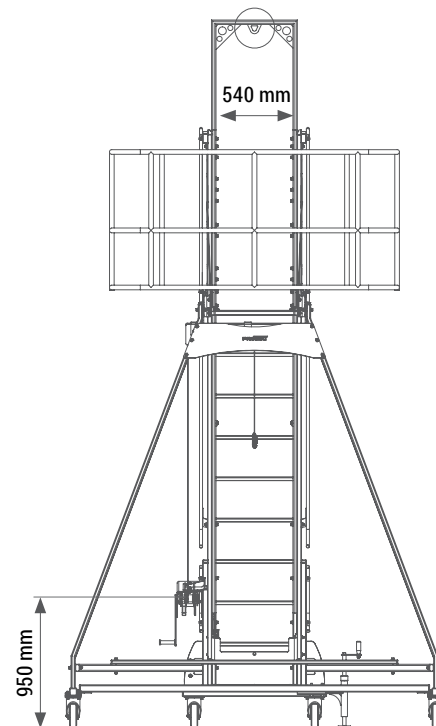
**Mechanism for platform stability**

### STEEL AND RUBBER WHEELS

- 2 x fixed  
- 4 x swivel wheels with brake



**Possibility of platform customization upon Customer's request.**



## PARAMETERS

Dimensions when folded:	4,88 x 2,65 x 3,63 m
Dimensions when unfolded:	6,33 x 2,65 x 3,93 m
Working height:	2,95 m to 4,35 m
Maximum load:	140 kg (1 user)
Weight:	240 kg

Moveable tank platform RS 300 F has been designed to enable safe access to loading hatches on tank trucks or container ships. The platform allows worker servicing the tank truck to get on its tank and carry out all the required works in a safe manner.

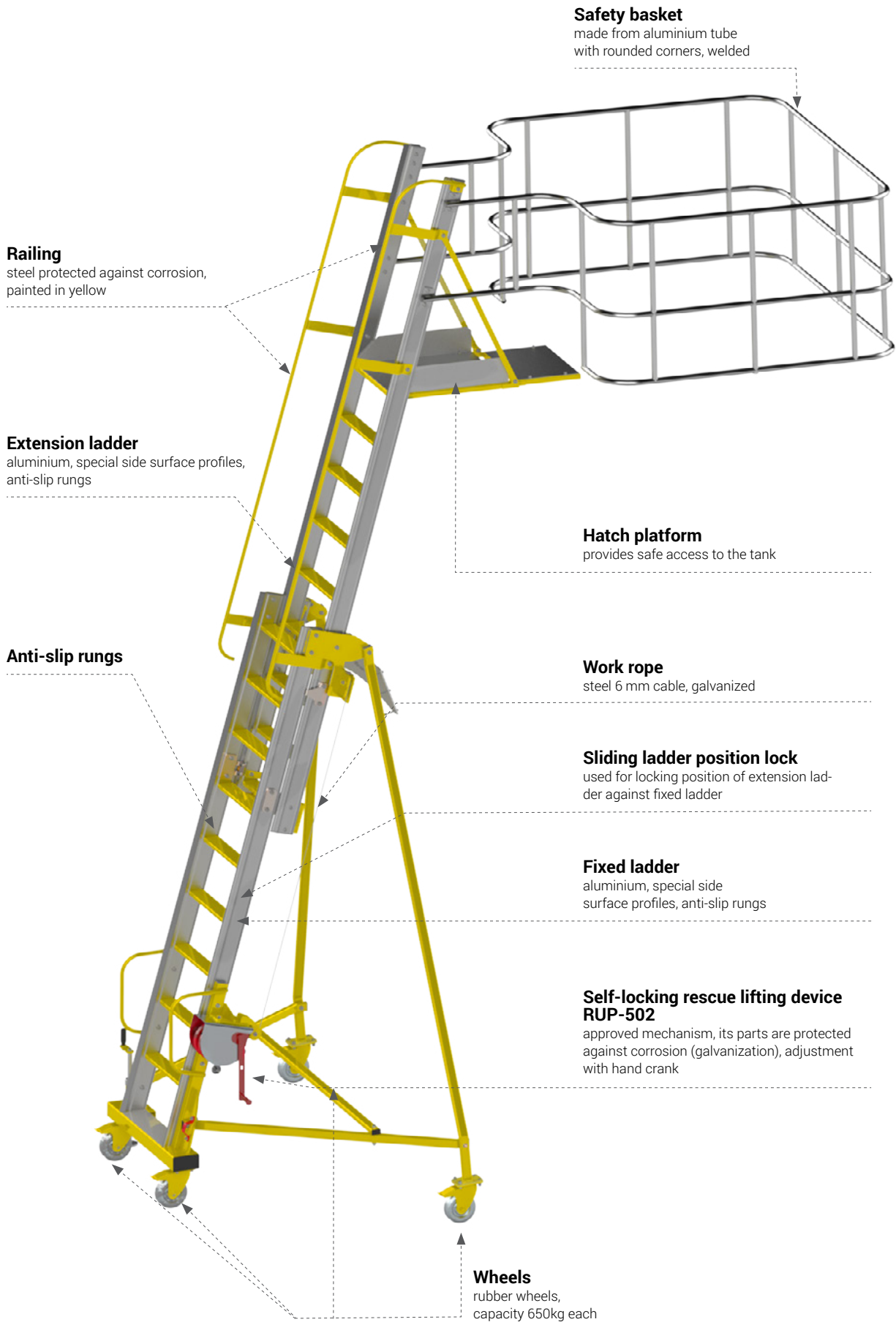
The extension ladder of the platform enables working height adjustment to the desired height (tank truck height). The extension ladder motion against the fixed ladder is locked after working height is adjusted. This provides for additional protection against falling of the ladder. The hatch platform provides problem-free access from the ladder onto the tank truck. Compact structure is supported on six rubber wheels, and can be moved easily to other hatches and taken away from the truck when the work is completed.

The structure has aluminium work place railing. Additional frame equipped with anchor point for personal fall protection equipment (e.g. retractable type fall arrester WR100) provides additional protection when ascending and descending the ladder, and working within the platform. Height of the railing provides protection against falls after tripping or slipping. The platform ladder is equipped with handrails for safe ascending and descending. The platform is made of high-durability aluminium alloy of special shape, and stable chassis is made of steel protected against the adverse weather conditions. The ladder rungs are made from textured stainless steel sheet preventing user's slippage.

# RS 300K

## Movable tank platform

Ref. no.: RS 300 K



### Safety basket

made from aluminium tube with rounded corners, welded

### Railing

steel protected against corrosion, painted in yellow

### Extension ladder

aluminium, special side surface profiles, anti-slip rungs

### Hatch platform

provides safe access to the tank

### Anti-slip rungs

### Work rope

steel 6 mm cable, galvanized

### Sliding ladder position lock

used for locking position of extension ladder against fixed ladder

### Fixed ladder

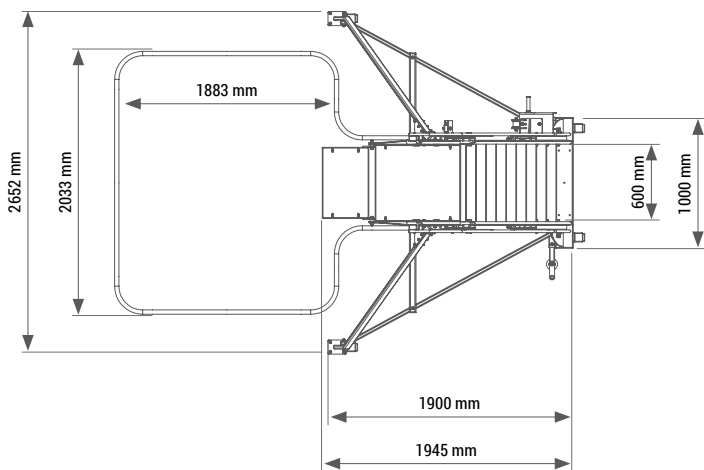
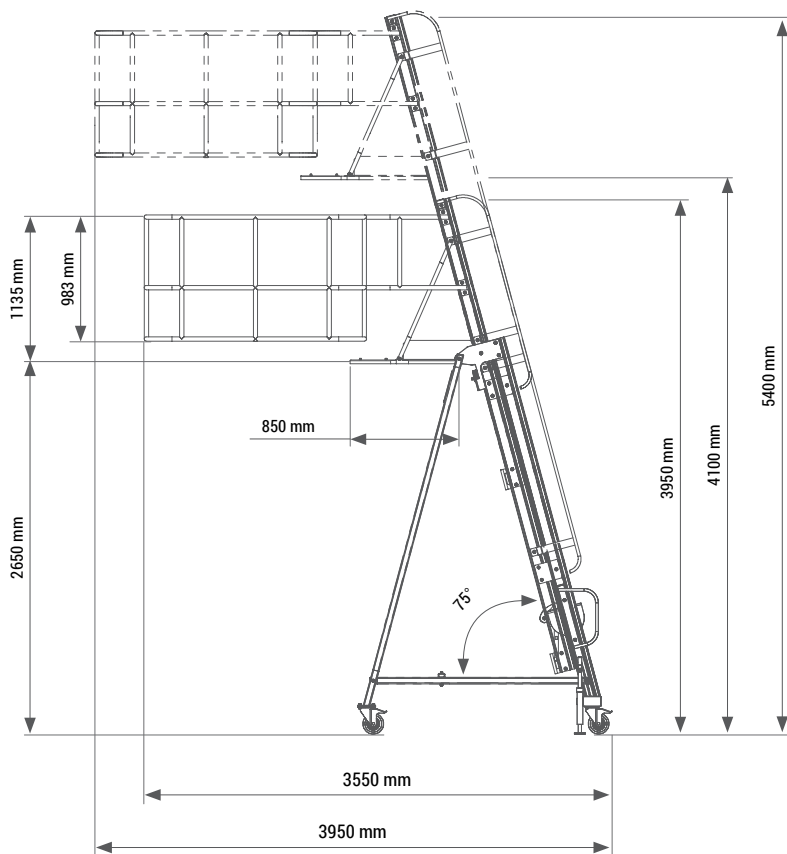
aluminium, special side surface profiles, anti-slip rungs

### Self-locking rescue lifting device RUP-502

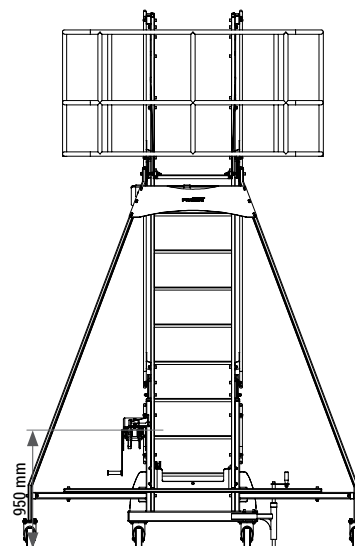
approved mechanism, its parts are protected against corrosion (galvanization), adjustment with hand crank

### Wheels

rubber wheels, capacity 650kg each



**Possibility of platform customization upon Customer's request.**



#### PARAMETERS

Dimensions when folded:	3,95 m x 2,65 m x 3,55 m
Dimensions when unfolded:	5,40 m x 2,65 m x 3,95 m
Working height:	2,65 m to 4,10 m
Maximum load:	120 kg (1 user)
Weight:	~ 160 kg

# RS 300S

## Movable tank platform

Ref. no.: RS 300S

### Safety basket

made from aluminium tube with rounded corners, welded



### Railing

steel protected against corrosion, painted in yellow



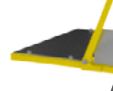
### Extension ladder

aluminium, special side surface profiles, anti-slip rungs



### Hatch platform

provides safe access to the tank



### Anti-slip rungs



### Work rope

steel 6 mm cable, galvanized



### Fixed ladder

aluminium, special side surface profiles, anti-slip rungs



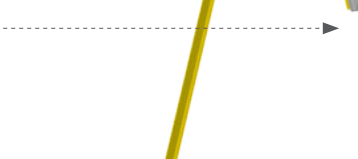
### Sliding ladder position lock

used for locking position of extension ladder against fixed ladder



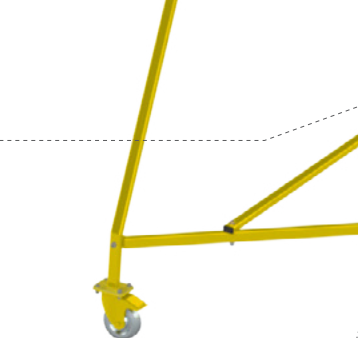
### Self-locking rescue lifting device RUP-502

approved mechanism, its parts are protected against corrosion (galvanization), adjustment with hand crank



### Wheels

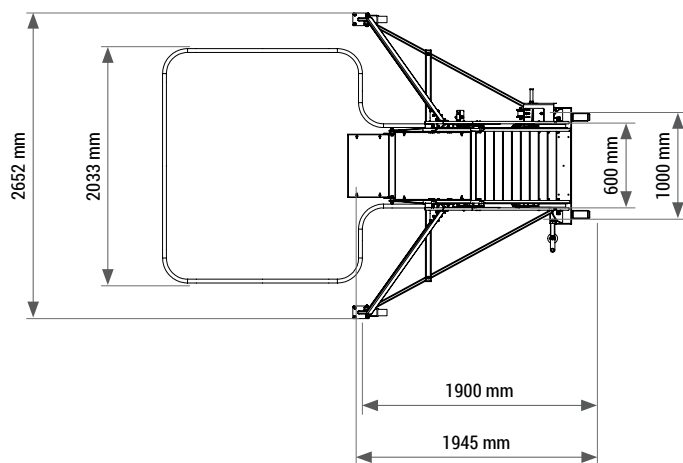
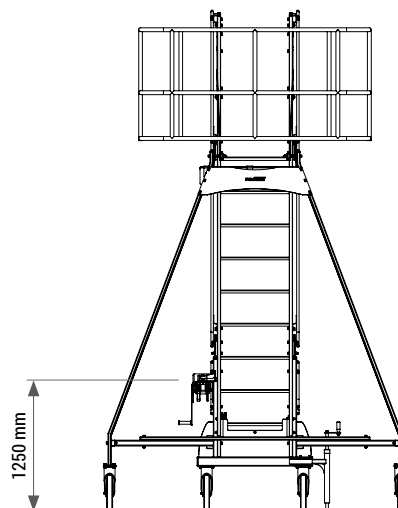
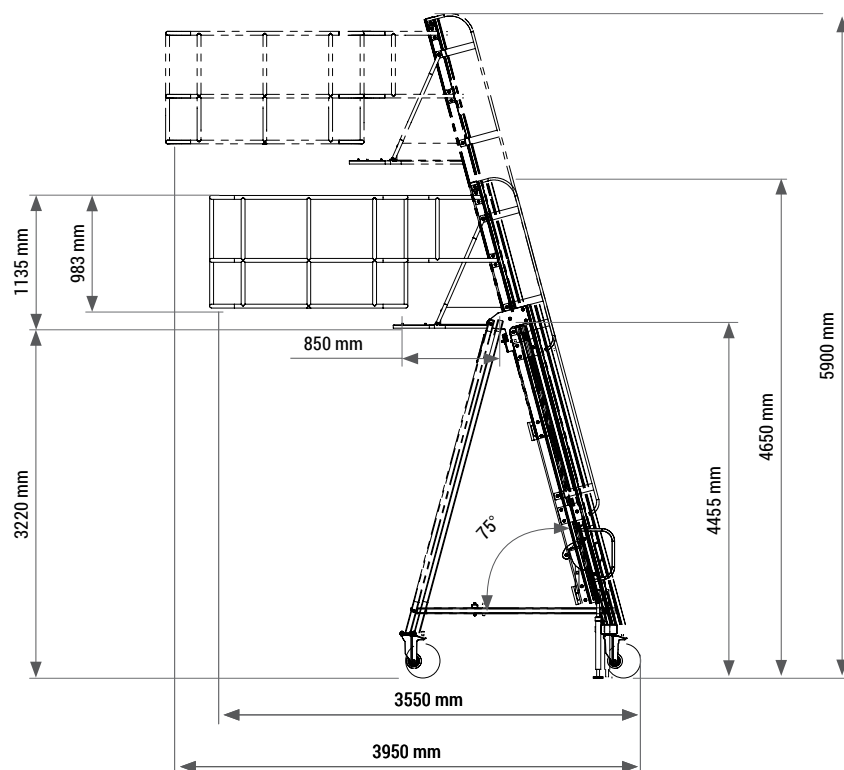
rubber wheels, capacity 650 kg each







**Possibility of platform customization upon Customer's request.**



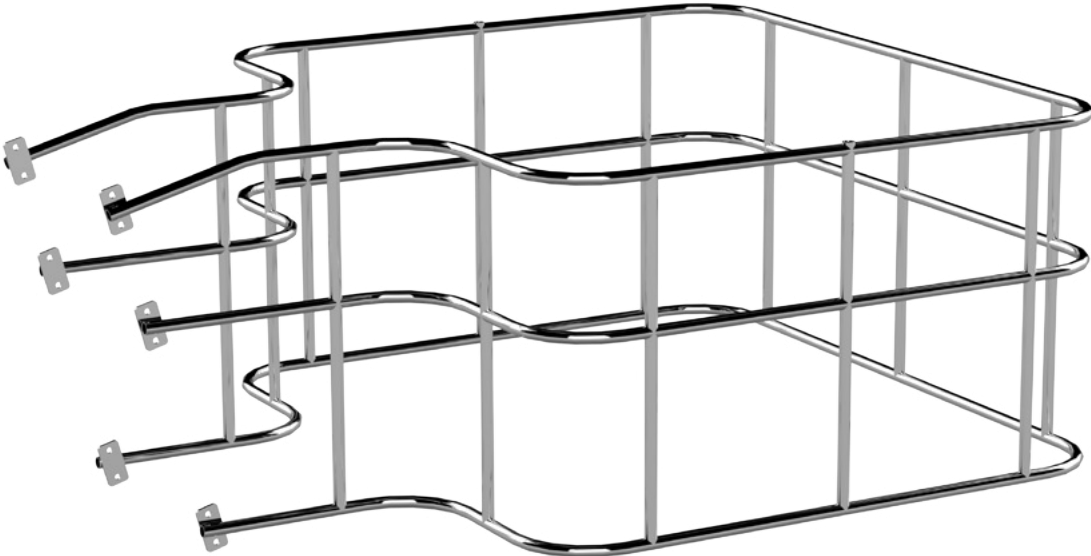
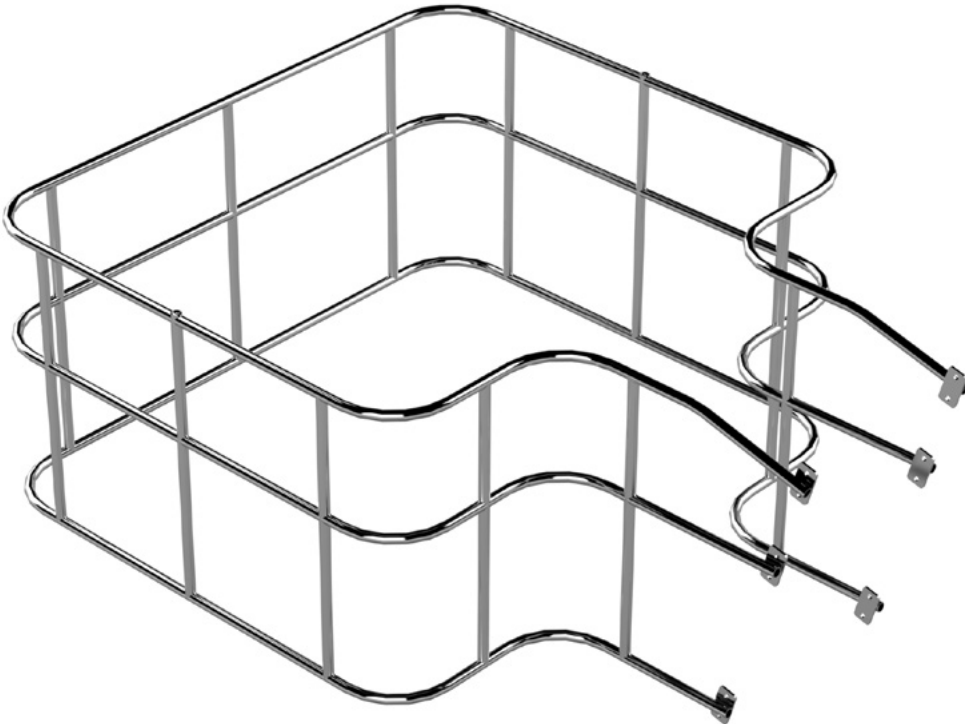
### PARAMETERS

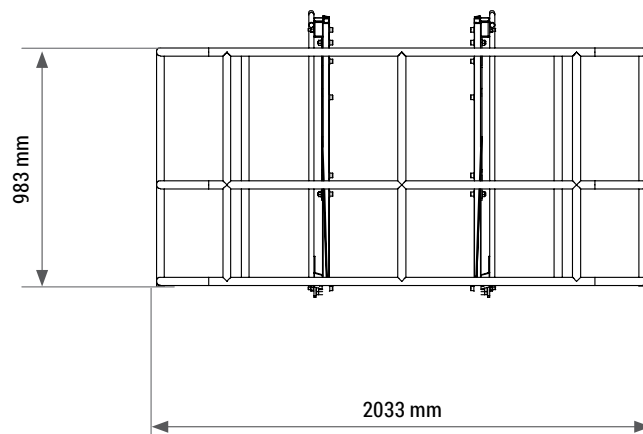
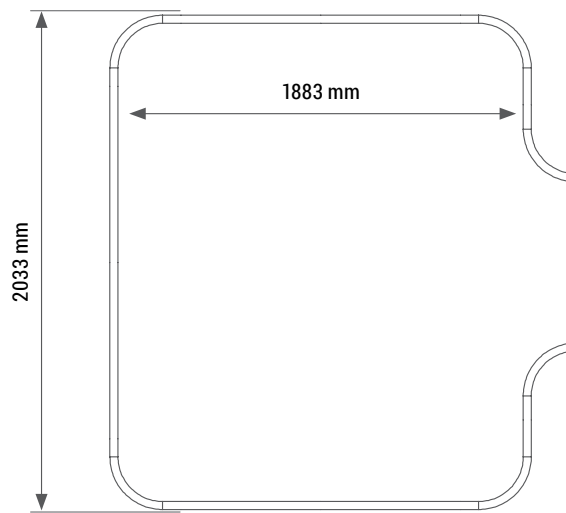
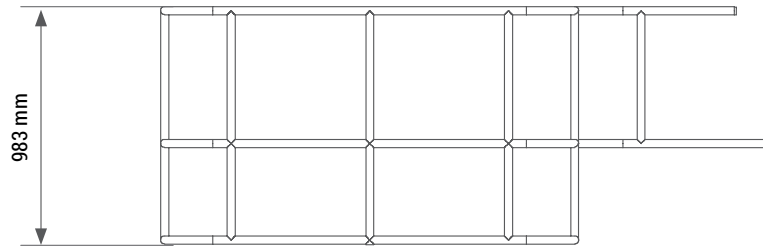
Dimensions when folded:	4,65 m x 2,65 m x 3,55 m
Dimensions when extended:	5,90 m x 2,65 m x 3,95 m
Working height:	3,22 m to 4,65 m
Maximum load:	120 kg (1 user)
Weight:	~ 170 kg

# RS 300

Aluminium railing

Ref. no.: RS 300





## PARAMETERS

Dimensions: 983 x 2033 x 1883 mm

Weight: ~8 kg

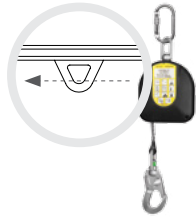
# RS 300VC

## Movable tank platform

Ref. no.: RS 300VC

### FRAME WITH ANCHOR POINT

for attachment of personal fall protection equipment



**ANCHOR POINT FOR PERSONAL FALL PROTECTION EQUIPMENT, E.G. WR100:**

### Safety basket

made from steel with rounded corners, welded

### Extension ladder

aluminium, special side surface profiles, anti-slip rungs



### Sliding ladder position lock

used for locking position of extension ladder against fixed ladder

### Anti-slip rungs

### Platform

provides safe working above object

### Work rope

steel 6mm cable, galvanized

### Self-locking rescue lifting device RUP-502

approved mechanism, its parts are protected against corrosion (galvanization), adjustment with hand crank

### Wheels

rubber wheels, capacity 650 kg each  
- 2 x fixed  
- 4 x swivel wheels with brake

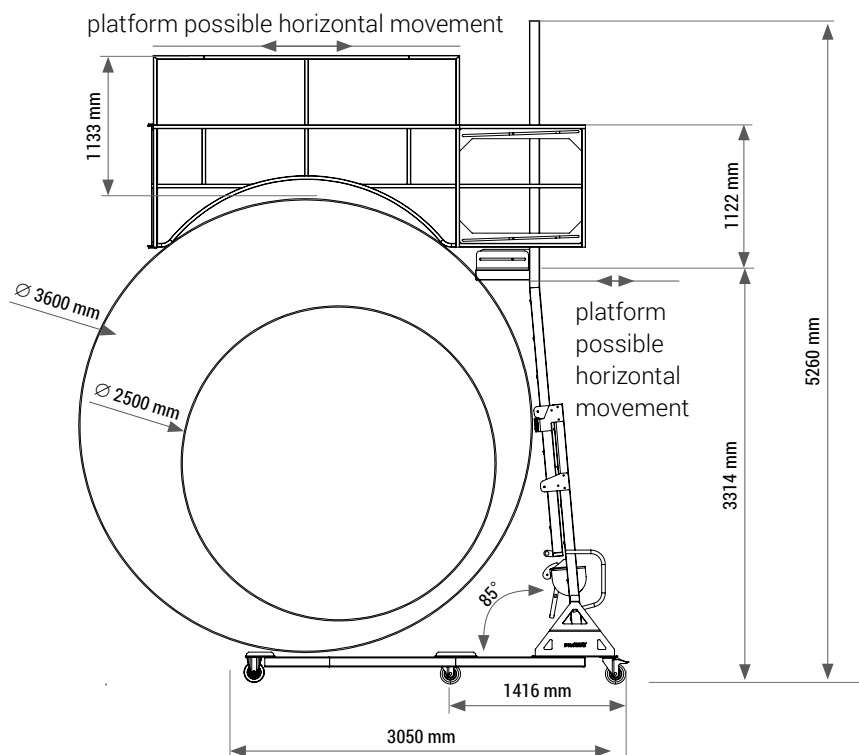
### Opened barrier

possibility of opening only after leaning against tank cylinder





**Possibility of platform customization upon Customer's request.**



## PARAMETERS

Dimensions when folded:	3,47 x 2,61 x 4,20 m
Dimensions when folded:	3,74 x 2,61 x 5,65 m
Working height:	2,25 m to 3,70 m
Maximum load:	120 kg (1 user)
Weight:	345 kg

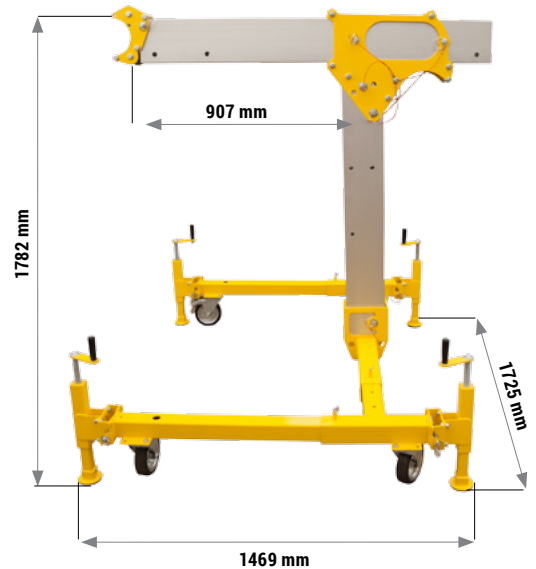
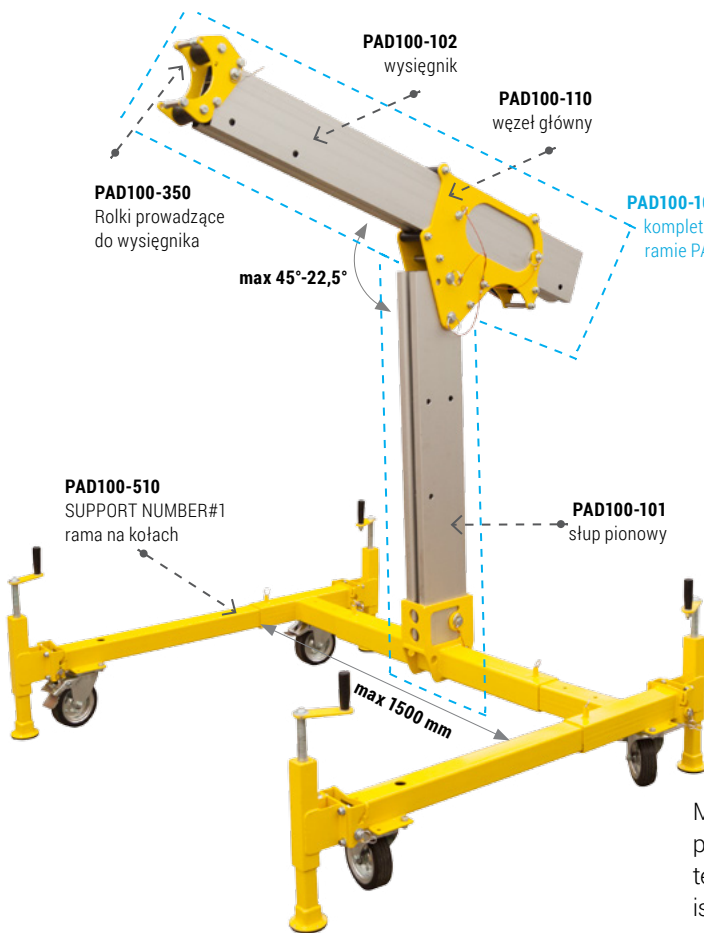
# PAD

## Mobile aluminium crane

EN795/B TS16415/B

Ref. no.: PADXXX-YYY-ZZZ

XXX – SUPPORT NUMBER  
YYY – POST HEIGHT 120 CM  
ZZZ – JIB LENGTH 150 CM



### SPECIAL FEATURES



SECURITY  
FOR 3 USERS

### PARAMETERS

Material:	aluminium (anodised and powder-coated) zinc-plated and powder-coated steel stainless steel + copper polyamide
Dimensions of device:	1725 x 1469 x 1782 mm
WLL for goods:	500 kg
WLL for rescue:	140 kg
Weight of basic version of PAD:	156 kg
Breaking strength:	15 kN

Mobile aluminium crane PAD is an anchorage point compliant with EN 795/B and TS 16415/B. It is designed for protection of maximum 3 users at the same time. The device is made of strengthened anodized or powder-coated aluminium. The device consists of individual elements the weight of which is no more than 25 kg. All modules are connected without tools, using pins with cotter bolts.

**Basic version of device PAD comprises the following modules:**

- vertical post of 1.2m in height PAD100-101 (~16 kg)
- jib 1.5m in length PAD100-102 (~10 kg)
- post-jib connecting module PAD100-110 (~8 kg)
- pulley with rollers mounted at the end of jib PAD100-350 (~3 kg).

For basic version of device PAD, select an appropriate support in which vertical post is mounted.

SUPPORT #1 (PAD100-510-000) – square frame on swivel wheels with brake, dia. 160 mm, made of powder-coated galvanized steel. The support is equipped with a set of 4 wheel stabilisers. The frame comprises main beam, left and right side supports, two jibs and 4 wheel stabilisers. Total weight of support is: 119 kg.

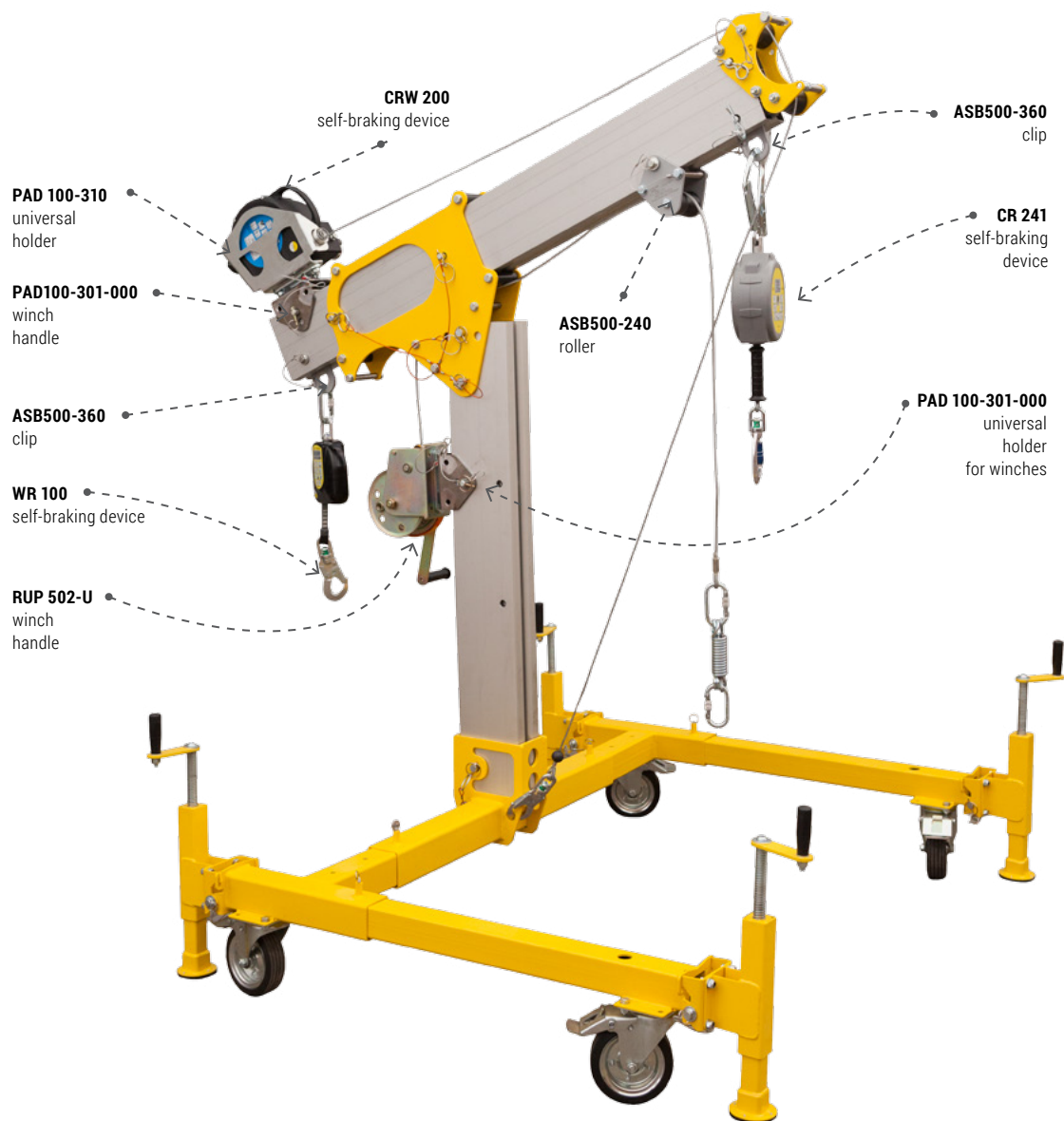
Ref. no.:

PAD001-120-150

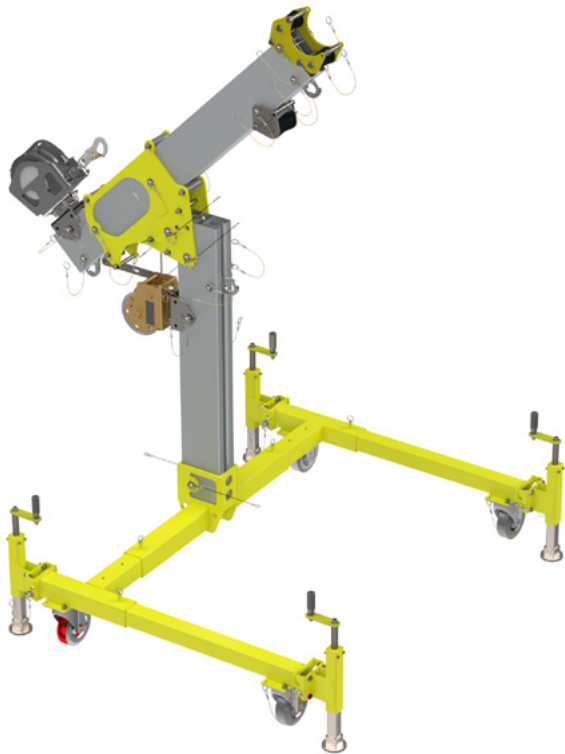
PAD002-120-150

PAD003-120-150

PAD004-070-250



# PAD VARIANTS



**PAD001-120-150**

001 – SUPPORT NUMBER #1  
120 – POST HEIGHT 120 cm  
150 – JIB LENGTH 150 cm

**SUPPORT NUMBER #1**

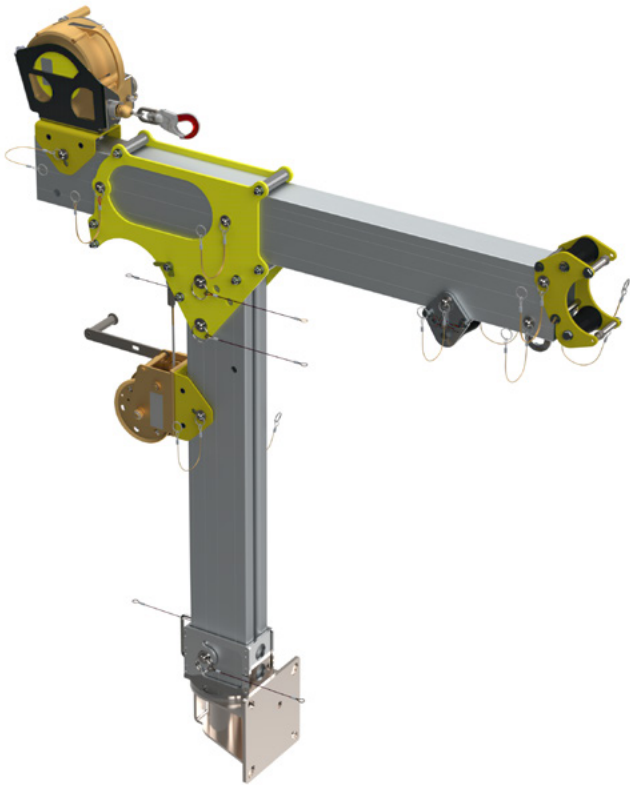


**PAD003-120-150**

003 – SUPPORT NUMBER #3  
120 – POST HEIGHT 120 cm  
150 – JIB LENGTH 150 cm

**SUPPORT NUMBER #3**

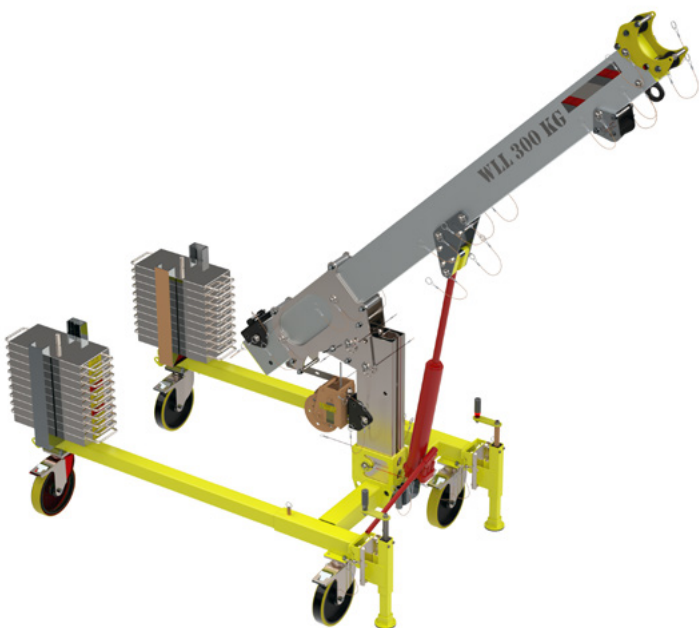




**PAD002-120-150**

002 – SUPPORT NUMBER #2  
120 – POST HEIGHT 120 cm  
150 – JIB LENGTH 150 cm

**SUPPORT NUMBER #2**



**PAD004-070-250**

004 – SUPPORT NUMBER #4  
070 – POST HEIGHT 70 cm  
250 – JIB LENGTH 250 cm

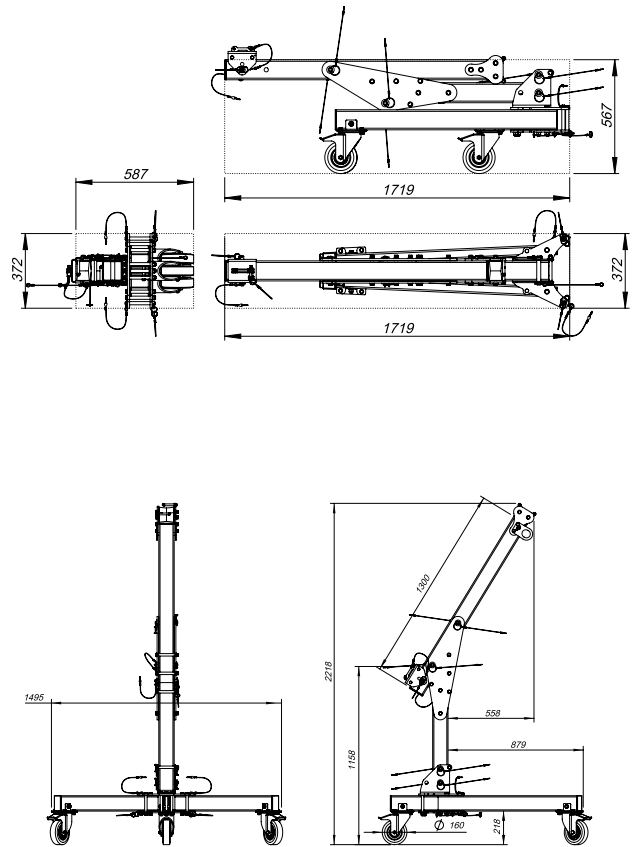
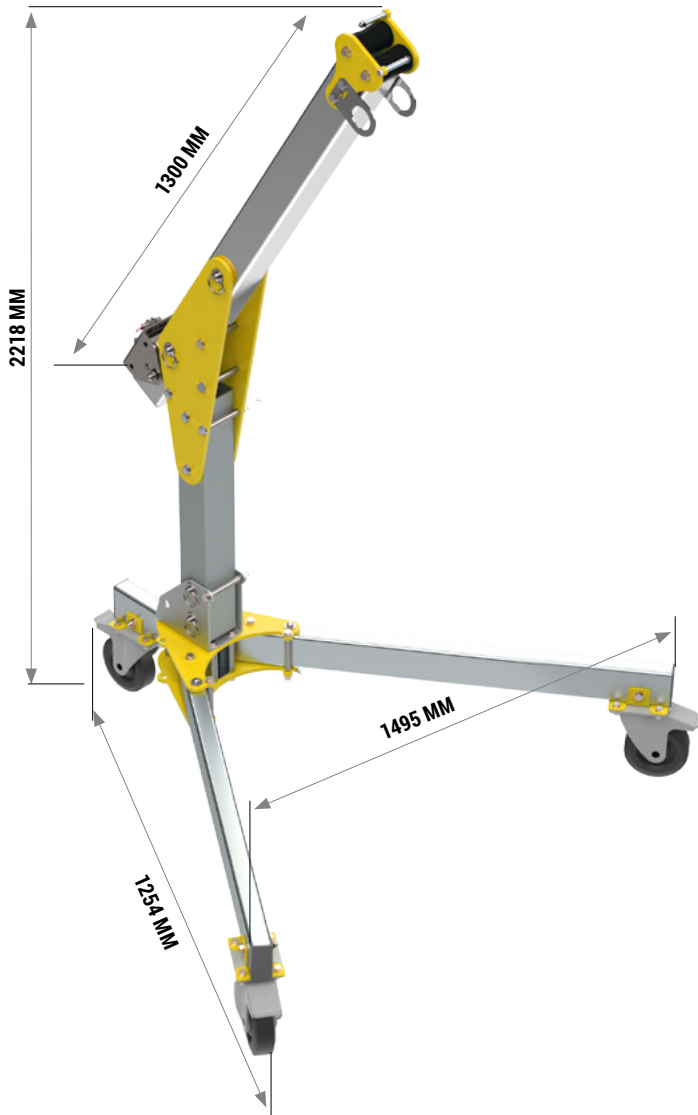
**SUPPORT NUMBER #4**

# LAD

## Portable aluminium davit

EN 795 TYPE B

Ref. no.: LAD 001



### SPECIAL FEATURES



### PARAMETERS

Dimensions - crane unfolded:	1495 x 1254 x 2218 mm
Dimensions - crane folded:	327 x 587 x 1719 mm
Working height:	2218 mm
Maximum load:	120 kg (1 person)
Weight	36 kg
Material:	aluminium
Finishing:	powder coating

Lightweight aluminium davit LAD 001 is an anchor point according to EN795/B. It is designed to protect a maximum of 1 person at a time.

The device is made of reinforced, anodized or powder coated aluminium and stainless steel elements.

The LAD davit is equipped with in one holder PAD100-301-000.

The device can be easily assembled for transport or disassembled into three separate modules whose weight does not exceed 25 kg (individual modules are connected with bolts and pins):

- Bracket with folding legs and a socket for a vertical post. The bracket is equipped with 3 wheels with a diameter of 160 mm in swivel castors with a brake, enabling easy movement of the crane in the workplace.
- Vertical post with a socket for mounting the boom.
- Arm with block, anchoring point and socket for attaching the winch.

## DISASSEMBLY INSTRUCTION

1



2



3



4

**Additional components (to be ordered separately):**

Individual fall protection equipment (self-locking devices, cables, etc.) can be attached to the LAD 001 with the aid of the catch eye at the end of the arm.

RUP502-U, RUP504, RUP506 escape hoists can be attached to the LAD 001 by means of the universal hoisting device PAD100-301-000.

The CRW200 device can be attached using the additional holder PAD100-310.

The CRW300 device can be attached using the additional holder PAD100-320.

# DW 200

Anchor device

EN 795 TYPE B 16415/B

Ref. no.: DW 200



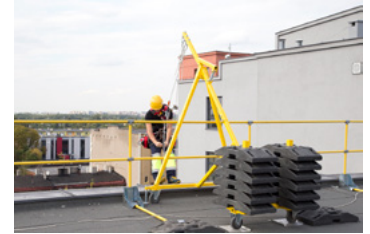
PRODUCT  
PRESENTATION  
[protekt.co/dw200](http://protekt.co/dw200)



WEIGHTS  
mass of a weight: 25 kg



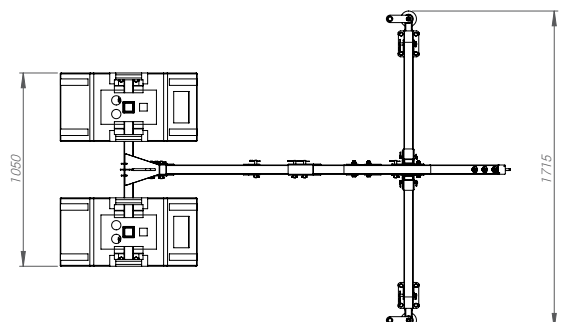
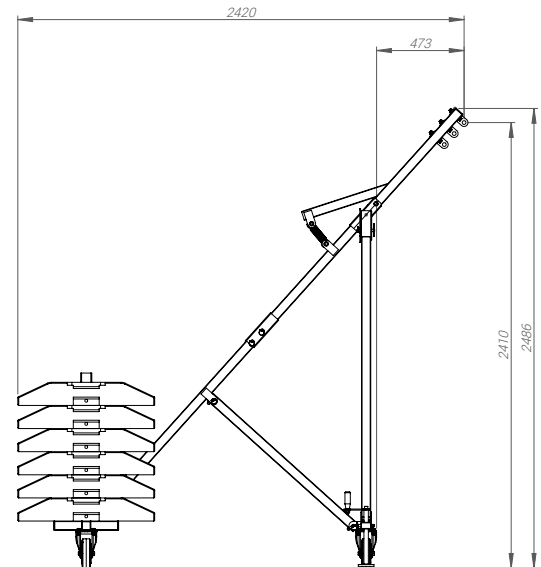
EXAMPLE USE



TWO-PERSON IRATA COMPLIANT VERSION



DIMENSIONS



Anchor device DW 200 with three anchor points is a perfect solution for use on flat roofs, where work outside roof edge is required. The device is fitted with wheels to enable moving the device quickly with no need to reload the weights. Wheel lock prevents uncontrolled motions of the device.

## SPECIAL FEATURES



SECURITY  
FOR 1 PERSON

## PARAMETERS

Dimensions:	2420 x 1766 x 2486 mm
Mass of the body:	48,5 kg
Total weight:	348,5 kg
Amount of weights:	12 pcs
Mass of a weight:	25 kg
Material:	powder coated steel

# DW 100

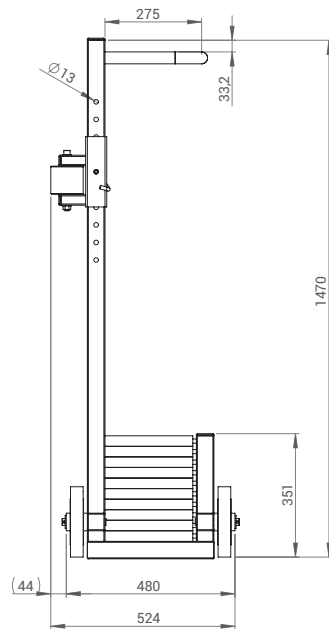
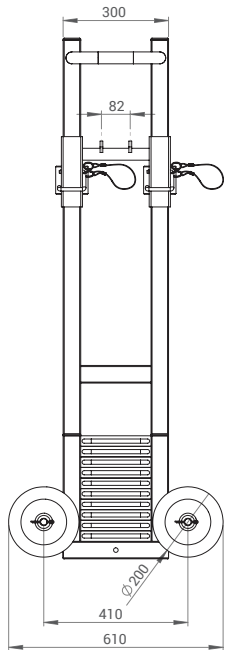
## Deadweight trolley

EN 795 TYPE B

Ref. no.: DW 100



PRODUCT  
PRESENTATION  
[protekt.co/dw100](http://protekt.co/dw100)



Punkty kotwiczenia

Odważniki  
waga odważnika: 18 kg



### EXAMPLE USE



### PARAMETERS

Dimensions:	1470 x 610 x 524 mm
Mass of the body:	28 kg
Total weight:	208 kg
Amount of weights:	10 pcs
Mass of a weight:	18 kg
Minimum upstand height:	60 cm
Material:	steel

### SPECIAL FEATURES



SECURITY  
FOR 2 USERS

Deadweight trolley DW 100 is a portable anchor point for any use where fall protection for one user or two users is required.

# AE 320

Adjustable horizontal lifeline

EN795:2012/B  
CEN/TS 16415:2013/B

Ref. no.: AE 320

CE



- ✓ Robust webbing
- ✓ Up to 20 m no intermediate point required

## SPECIAL FEATURES



SECURITY  
FOR 3 USERS



Suitable  
for explosion-hazard zones

## PARAMETERS

Tensioner:	galvanized steel
Working webbing:	polyester
Webbing width:	35 mm
Weight:	AE 320 10 – 10 m – 4 kg
	AE 320 20 – 20 m – 5,2 kg
	AE 320-30 – 30 m – 6,4 kg

The AE 320 is an horizontal lifeline. It should be used for works requiring frequent mobility in the horizontal. AE 320 provides protection for one, two or three users.

Use only with personal fall protection equipment in accordance with:

- EN 354/355 (energy absorbers and lanyards)
- EN 353-2 (guided type fall arresters including a flexible anchor line)
- EN 360 (retractable type fall arresters).

Connectors EN 362 can be used as intermediate points.

The set includes AZ060 snap hooks (strength 30 kN) and a transport bag. The 30 m set also includes AZ 011 connector.

### 10 M – AE 320 10

Up to 10 m intermediate point no needed



### 20 M – AE 320 20

Up to 20 m intermediate point no needed



### 30 M – AE 320 30 + 1 AZ011

At a distance of 20 m from the final attachment point there must be an intermediate point



# AE 321

## Adjustable horizontal lifeline

EN795:2012/B  
CEN/TS 16415:2013/B

Ref. no.: AE 321



- ✓ Lighter webbing, lighter tensioner
- ✓ Up to 10 m no intermediate point required

### SPECIAL FEATURES



Suitable for explosion-hazard zones

### PARAMETERS

Tensioner:	galvanized steel
Working webbing:	polyester
Webbing width:	35 mm
Weight:	AE 321 10 – 10 m – 4 kg
	AE 321 20 – 20 m – 5,2 kg
	AE 321 30 – 30 m – 6,4 kg

AE 321 should be used for works requiring frequent mobility in the horizontal. Horizontal lifeline AE 321 complies with EN 795 Type B (portable anchor points for fall protection equipment). Horizontal lifeline AE 321 provides protection for one, two or three users.

Use only with personal fall protection equipment in accordance with:

- EN 354/355 (energy absorbers and lanyards)
- EN 353-2 (guided type fall arresters including a flexible anchor line)
- EN 360 (retractable type fall arresters).

Connectors EN 362 can be used as intermediate points.

The set includes AZ011 connectors and a transport bag.



**10 M – AE 321 10 + 2 AZ011**

Do 10 m punkt pośredni nie jest potrzebny



**20 M – AE 321 20 + 3 AZ011**

Co max 10 m musi być punkt pośredni przymocowany do konstrukcji stałej



**30 M – AE 321 30 + 4 AZ011**

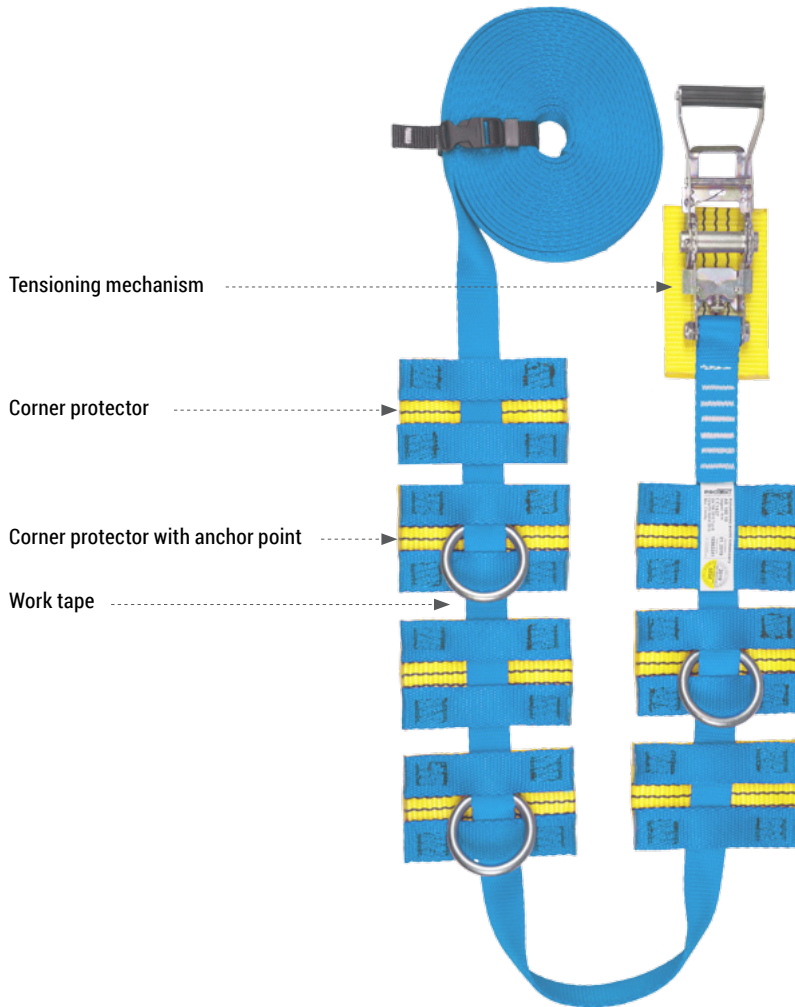
Co max 10 m musi być punkt pośredni przymocowany do konstrukcji stałej

# AE 100

## Column anchoring point

EN 795/B, CEN/TS 16415:2013

Ref. no.: AE 100



### SPECIAL FEATURES



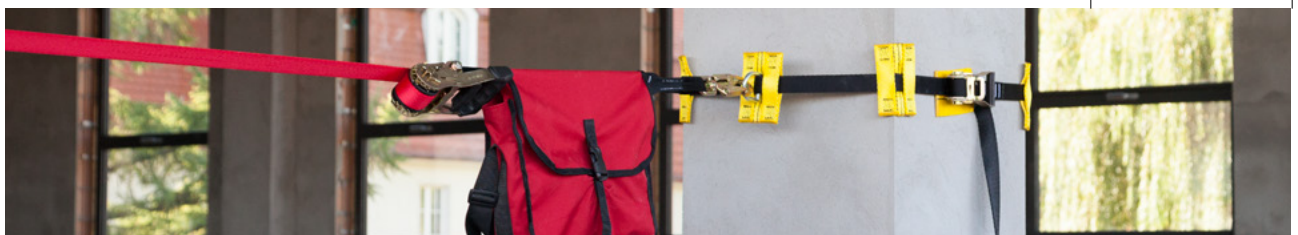
Anchor point intended for simultaneous connecting of 3 users. AE 100 can be installed on reinforced concrete, steel posts and skylight constructions. The set consists of:

- working tape with maximum length of 50 m with tensioning mechanism
- 4 corner protectors to secure the construction
- 3 corner protectors with anchor points
- transport bag

version	length *
AE 100 03	3 m
AE 100 05	5 m
AE 100 10	10 m
AE 100 20	20 m
AE 100 30	30 m
AE 100 40	40 m
AE 100 50	50 m

\* Free end of strap max. 0.3 m

transport bag		kit included	-
corner protector		AE 100-001-000	-
protector for self-locking devices		AE 100-002-000	-





# AT 020

## Anchor point

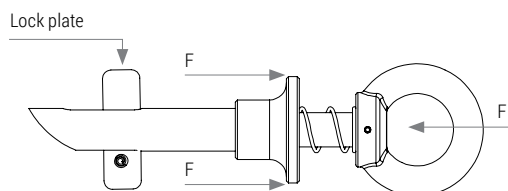
EN 795 TYPE B

Ref. no.: AT 020

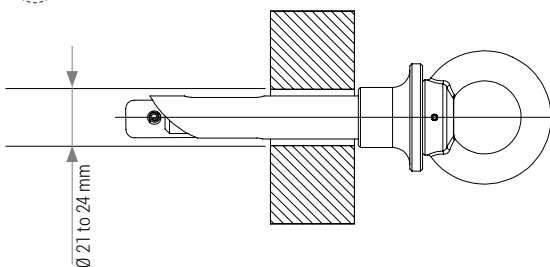


### ✂ INSTALLATION

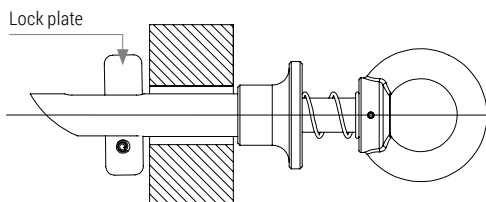
- 1 Push the device as shown



- 2 Put anchor point in bore hole



- 3 Make sure that lock plate disables the anchor point removal



Anchor point AT 020 is intended for anchoring personal fall protection equipment. The anchor is intended for installation on vertical, horizontal or inclined surfaces, in a specially prepared bore hole.

### PARAMETERS

Material: galvanized steel  
stainless steel  
aluminium

### SPECIAL FEATURES



REF. NO.:	L	X	WEIGHT
AT 020 440	440 mm	303 mm	1,10 kg
AT 020 400	400 mm	263 mm	1,00 kg
AT 020 240	240 mm	103 mm	0,66 kg
AT 020 220	220 mm	83 mm	0,63 kg
AT 020 200	200 mm	63 mm	0,60 kg
AT 020 180	180 mm	43 mm	0,57 kg

# AT 021

Anchor point for concrete

EN 795 TYPE B

Ref. no.: AT 021

CE



PRODUCT  
PRESENTATION

[protekt.co/at021](http://protekt.co/at021)

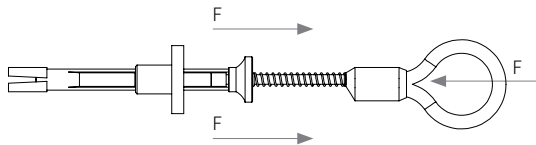


thimble  
ø 19 mm

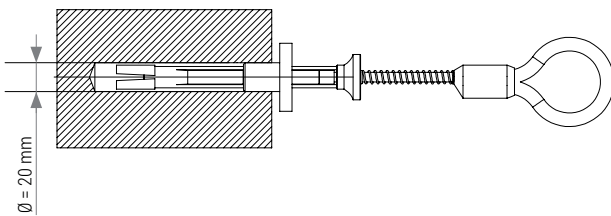


## ✂ INSTALLATION

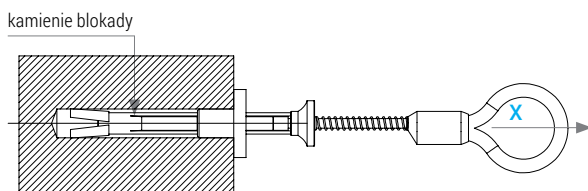
- 1 Squeeze the device in direction as shown



- 2 Put anchor point in bore hole



- 3 Make sure that stones are locked in the hole by pulling the device in direction shown by arrow "X"



kamienie blokady

Anchor AT021 is an easy-to-mount temporary anchor point for permanent structures, intended for protection of 1 user, installed on concrete of class min. B20. The anchor AT021 can be used for installation on vertical, horizontal or inclined surfaces.

## PARAMETERS

Surface strength:	concrete min. B20
Weight:	280 g
Material:	zinc-anodized galvanized steel stainless steel aluminium

## SPECIAL FEATURES



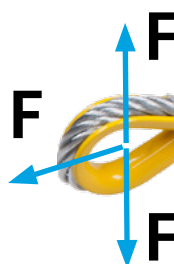
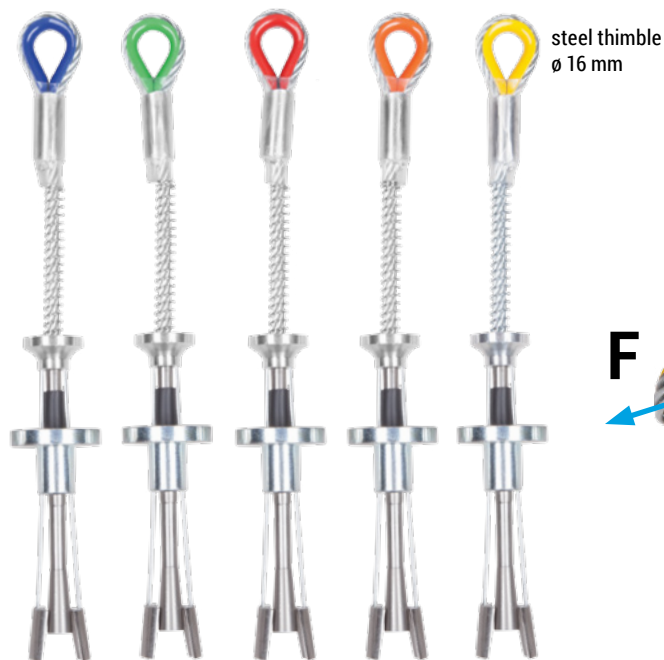
# AT 021T

Anchor point for concrete

EN 795 TYPE B

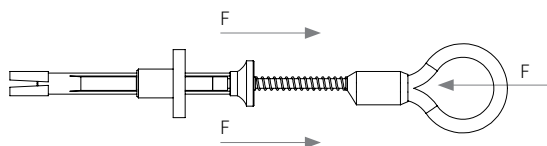
Ref. no.: AT 021T

CE

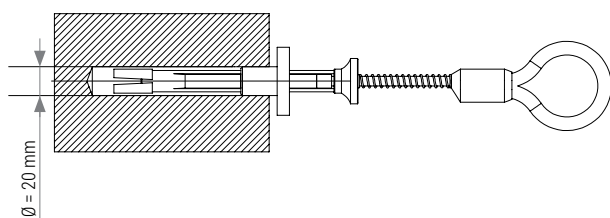


## ✂ INSTALLATION

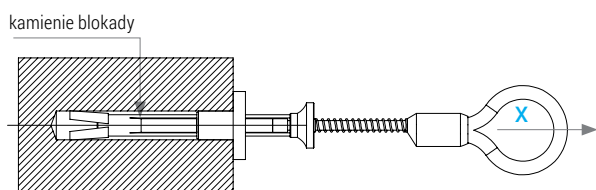
1 Squeeze the device in direction as shown



2 Put anchor point in bore hole



3 Make sure that stones are locked in the hole by pulling the device in direction shown by arrow "X"



Anchor AT021T is an easy-to-mount temporary anchor point for permanent structures, intended for protection of 1 user, installed on concrete of class min. B20. The anchor AT021T can be used for installation on vertical, horizontal or inclined surfaces.

## PARAMETERS

Surface strength:	concrete min. B20
Weight:	280 g
Material:	zinc-anodized galvanized steel stainless steel aluminium

## SPECIAL FEATURES



# AZ 028

## Automatic snap hook

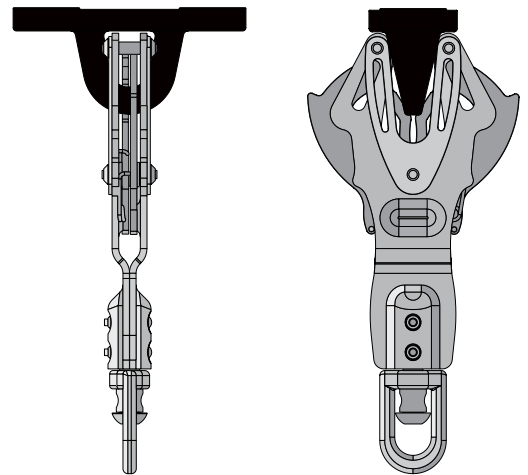
EN 362/A/T  
EN 795/B

Ref. no.: AZ 028



### INSTALLATION

Before snap hook is installed make sure to open it completely by pressing latches A and B simultaneously. Once pressed both latches will be opened and held in open position. If only one latch is pressed, it will be opened, and once released the latch will be closed instantly.



When snap hook is opened install it on an anchor point by sliding snap hook over the point and pushing it in slightly. Snap hook will close automatically. After closing check for proper fixation by pulling the snap hook.

### SPECIAL FEATURES



### PARAMETERS

Dimensions:	256 x 100 mm
Opening:	22 mm
Static strength:	20 kN
Weight:	430 g
Installation method:	inseparable
Additional functions:	swivel, fall indicator
Material:	construction – aluminium flap – composite

Snap hook AZ028 is provided with fall indicator. When arresting a fall the indicator becomes destroyed, thus the user is noticed to withdraw the device from use immediately. The fall indicator becomes deformed with forces above 2.5kN. It is made from aluminium and anodized in colour other than snap hook body to make it clearly visible. Once the indicator becomes deformed, extra clearance appears between the swivel and the body, and if the clearance exceeds 2mm the device may have been overloaded.

# AZ 200

## Pipe anchor

EN 362

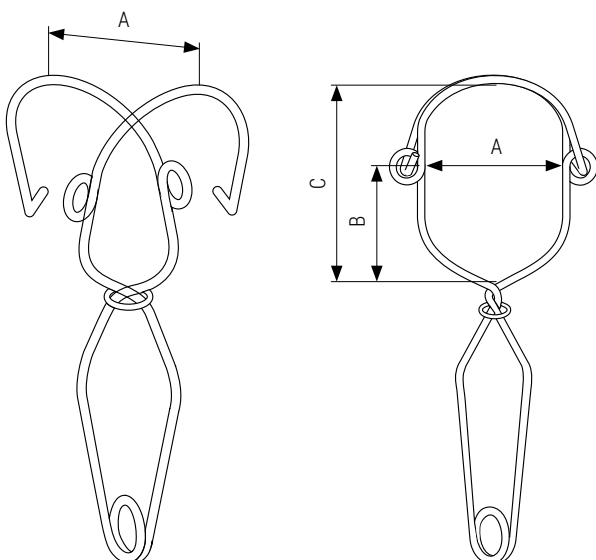


Ref. no.:

AZ 200 01

AZ 200 02

AZ 200 03



### SPECIAL FEATURES



### PARAMETERS

Material:	stainless steel + copper
Breaking force:	min. 12 kN

AZ200 formed by a single stainless steel rod, 6 mm dia. Pipe anchor is a component of fall protection equipment, and is intended to connect connecting and absorbing device (e.g. energy absorber with lanyard, retractable type fall arrester, guided type fall arrester work rope) to a structural anchor point.

**Maximum opening of the pipe anchor when placing on a profile cannot be greater than dimension A for a given model, as provided in the table.**

	AZ 200 01	AZ 200 02	AZ 200 03
A	81	112	140
B	85	105	125
C	128	175	208

# AZ 300

Anchor device

EN 795 TYPE B

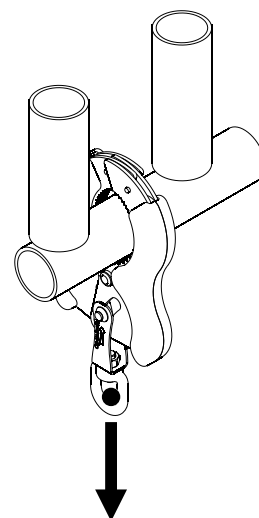
Ref. no.: AZ 300

CE

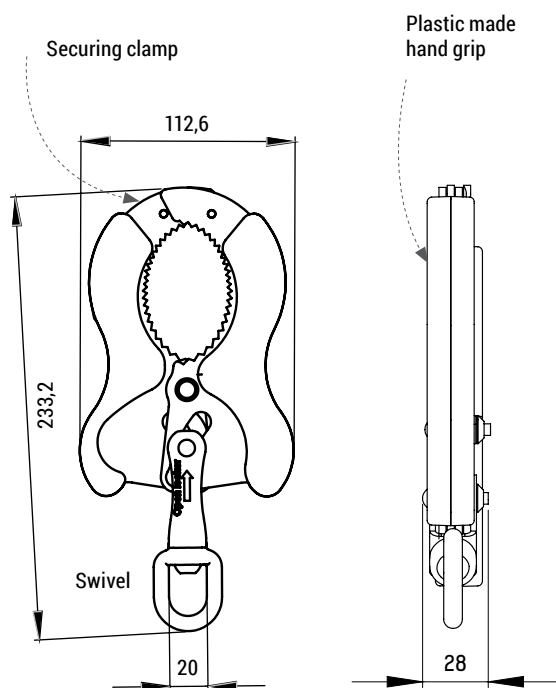


PRODUCT  
PRESENTATION

[protekt.co/az300](http://protekt.co/az300)



## DIMENSIONS



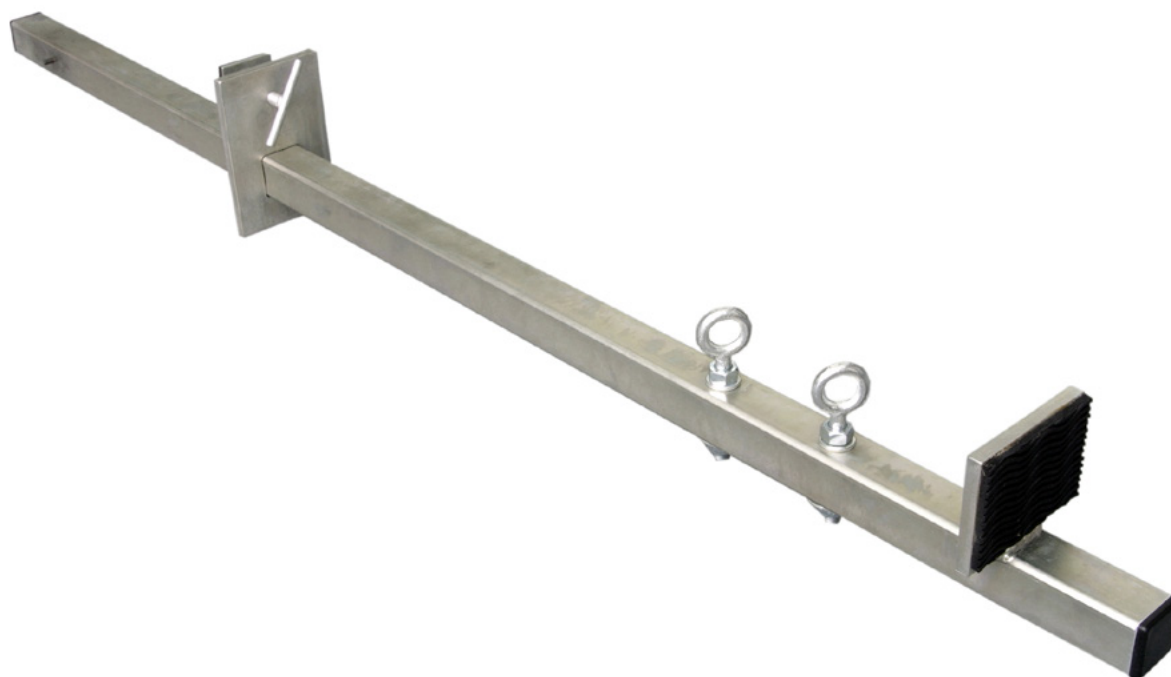
## SPECIAL FEATURES



## PARAMETERS

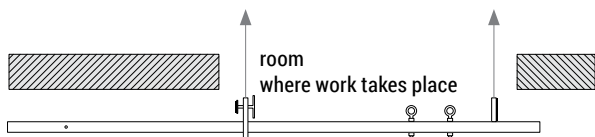
Opening:	52 mm
Static strength:	min. 12 kN
Material:	stainless steel, ABS
Weight:	880 g

Anchor device AZ 300 is intended for use by one person; to be used as a protection against falls from a height when working on scaffolds. To be used on tubes, 44.5 - 50 mm dia.

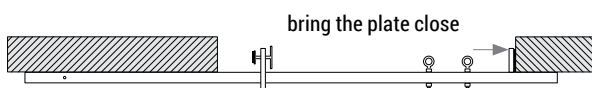


### INSTALLATION

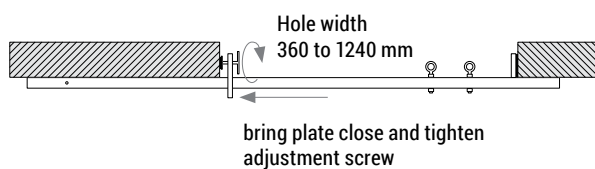
- 1 Place anchor beam inside opening in the ground or on sill.



- 2 Make sure that beam is horizontal and if it fits tightly to the wall. Then bring mounting plate close to the hole side surface.



- 3 Bring adjustment plate close to the opposite side surface on the hole. Push adjusting plate firmly by tightening adjustment screw to the hole side surface.



Anchor beam AT 060 is a component of fall protection equipment and can be used as a portable anchor device. The beam can be used in building openings (windows and doors), 350 to 1240 mm wide. It is fitted with two fixing plates.

### SPECIAL FEATURES



### PARAMETERS

Material:	zinc-anodized steel
Dimensions:	1425 x 160 x 100 mm
Weight:	6,9 kg
Static strength:	min. 13 kN

# AT 061

## Aluminium anchor beam

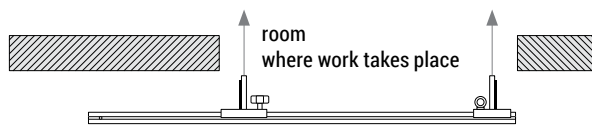
EN 795 TYPE B

Ref. no.: AT 061

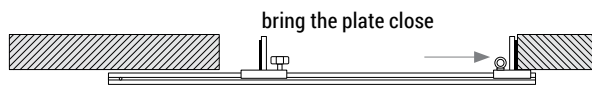


### INSTALLATION

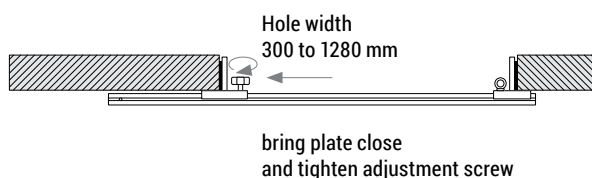
- 1 Place anchor beam inside opening in the ground or on sill.



- 2 Make sure that beam is horizontal and if it fits tightly to the wall. Then bring mounting plate close to the hole side surface.



- 3 Bring adjustment plate close to the opposite side surface on the hole. Push adjusting plate firmly by tightening adjustment screw to the hole side surface.



Light aluminium alloy anchor beam AT 061 is a component of fall protection equipment and can be used as a portable anchor device. The beam can be used in building openings (windows and doors), 300 to 1280 mm wide. It is fitted with two fixing plates.

### SPECIAL FEATURES



### PARAMETERS

Material:	aluminium
Dimensions:	1450 x 122 x 100 mm
Weight:	3,2 kg
Static strength:	min. 12 kN



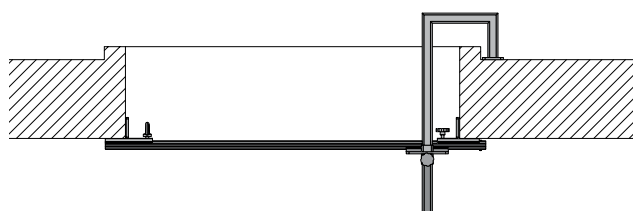
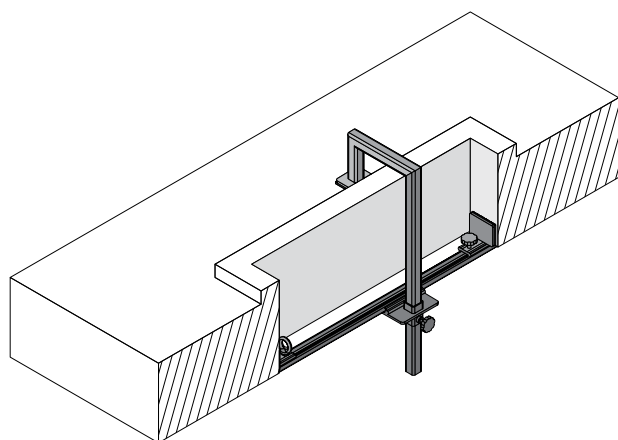
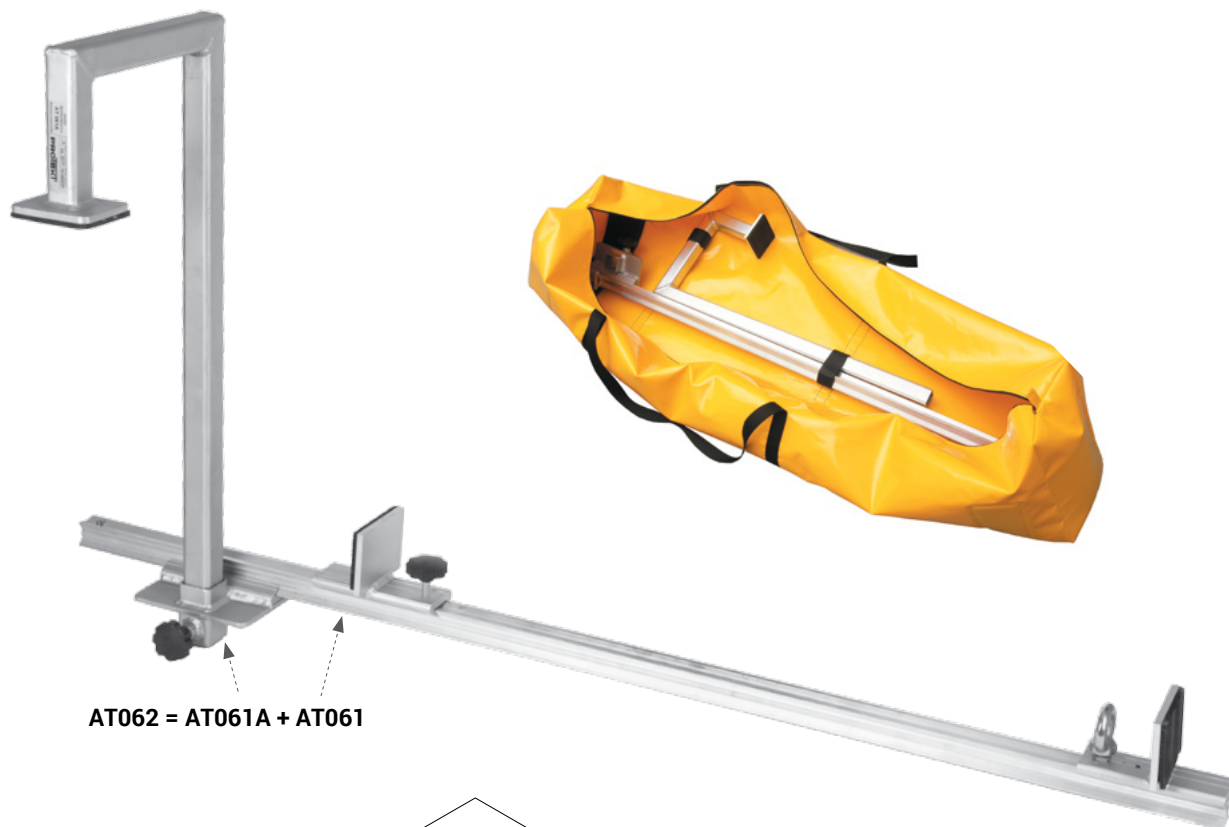
# AT 062

## Aluminium anchor beam

EN 795 TYPE B

Ref. no.: AT 062

CE



Light aluminium alloy anchor beam AT 062 with a stabilising clamp is a component of fall protection equipment and can be used as a portable anchor device. The beam can be used in building openings (windows and doors), 300 to 1280 mm wide. It is fitted with two fixing plates. Beam AT 062 must be used with personal fall protection equipment.

### SPECIAL FEATURES



### ✂ INSTALLATION

Place anchor beam inside opening in the ground or on sill. If the beam is horizontal and fits the wall firmly, bring mounting plate close to the hole side surface. Bring adjustment plate close to opposite side surface on the hole and push adjustment plate firmly by tightening adjustment screw to the hole side surface.

### PARAMETERS

Material:	aluminium
Weight:	6,7 kg
Dimensions:	1450 x 770 x 175 mm
Static strength:	min. 12 kN

# AT 063

Anchor for trapezoidal corrugated sheet

EN 795 TYPE B

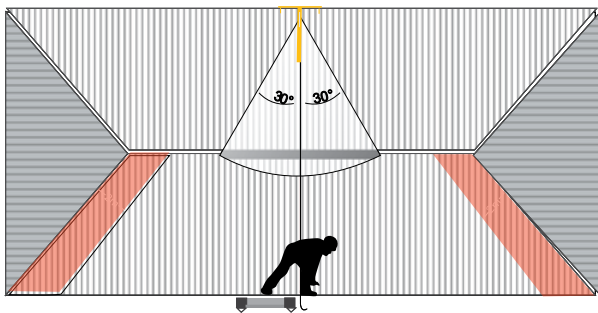
Ref. no.: AT 063

CE

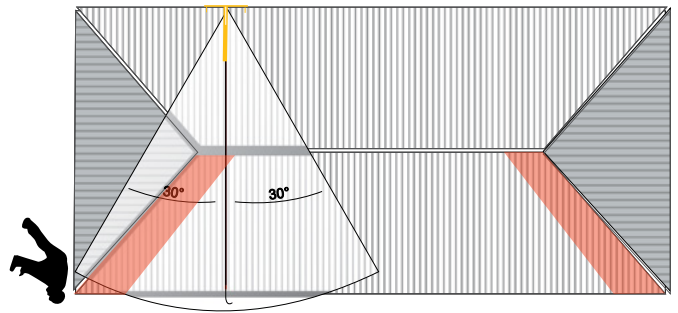


## ✂ INSTALLATION

h Correct



m Incorrect



The anchor is suitable for most sheet profiles available on the market.

## SPECIAL FEATURES

 SECURITY FOR 1 PERSON

## PARAMETERS

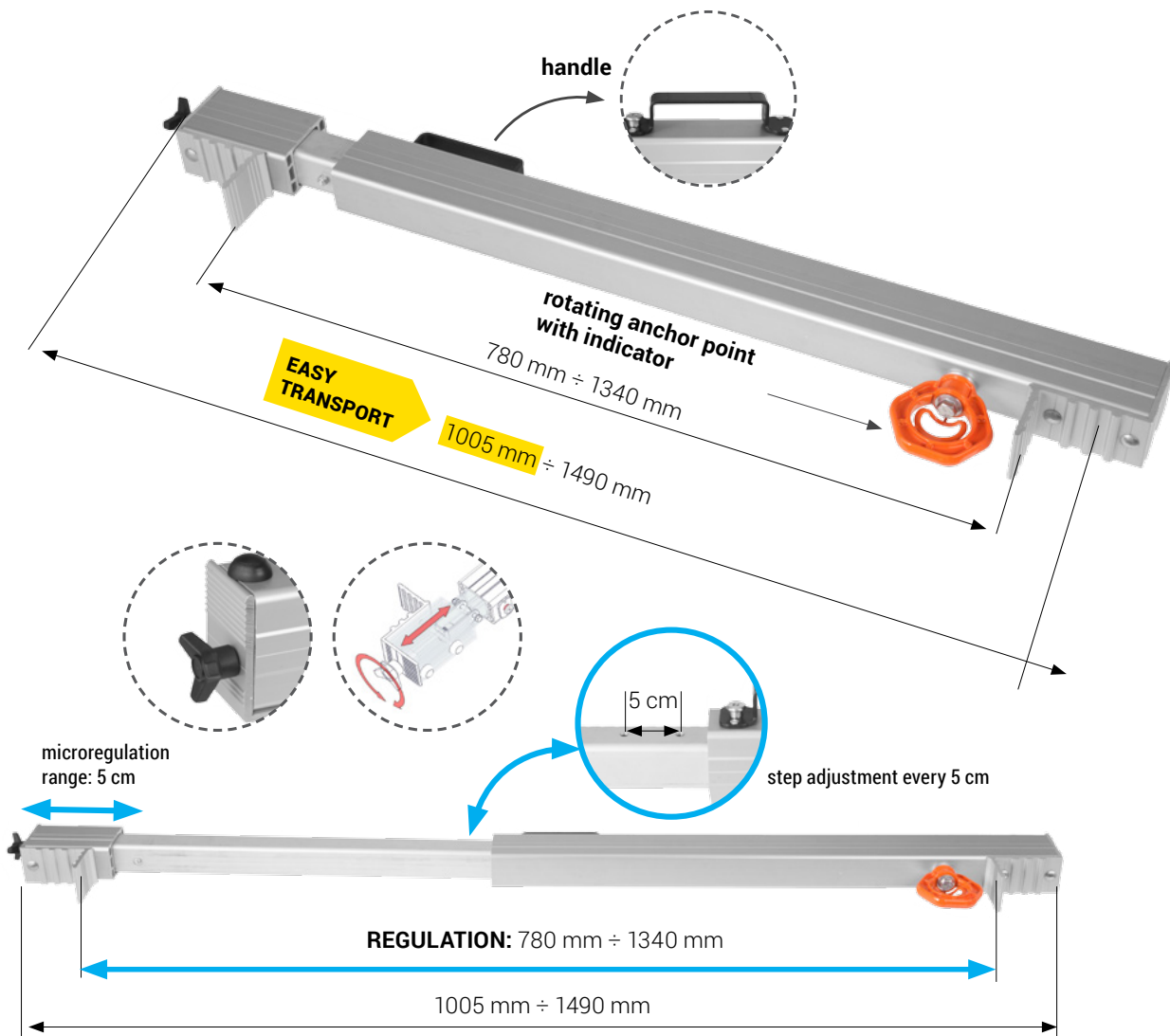
Material:	powder coated steel
Dimensions:	495 x 500 x 100 mm
Weight:	~3,70 kg
Static strength:	>12 kN
Breaking force:	>12 kN

# AT 065

Belka zaczepowa

EN795:2012 TYPE B  
CEN/TS 16415:2013

Ref. no.: AT 065



AT065 is an anchor beam device in accordance with EN 795 type B and serves to protect 3 people at a time. The device can only be used as a personal protective equipment, protecting the worker against falling from height. Draw-bar is intended for installation in a door or window opening and its working range is 780-1340 mm.

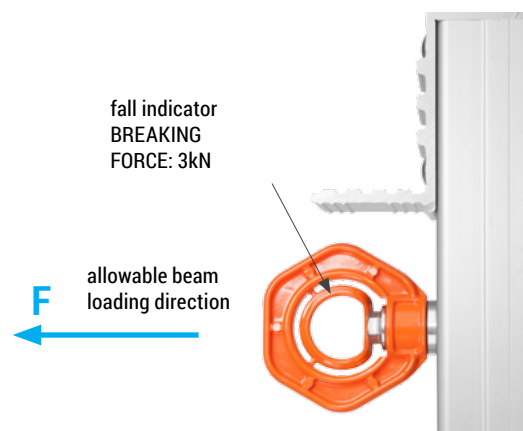
## PARAMETERS

Material:	aluminium alloy
Dimensions:	1005 x 210 x 56 mm
Weight:	5,56 kg
Static strength:	14 kN

## SPECIAL FEATURES



SECURITY  
FOR 3 USERS



# AT 187

## Anchor point

EN 795:2012 TYPE A  
CEN/TS16415:2013

Ref. no.: AT187



Anchor point AT187 is an anchor device type B compliant with EN 795 and is designed for protection of three people working at the same time. Anchor point AT187 may be used only as personal protective equipment which protects a user against a fall from a height, and cannot be used for lifting loads.

The device is made of steel casting.

Strength of this point is min. 30 kN.

Anchor point can be loaded in directions shown in Figure 1.

The device is designed to be installed on ribbed bars with core diameter of 18-32mm.

### SPECIAL FEATURES



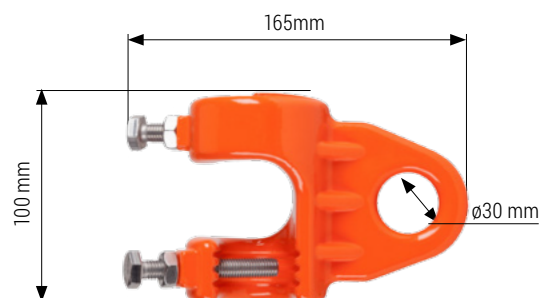
### PARAMETERS

Material: steel casting

Weight: 1,62 kg

Static strength: min. 30 kN

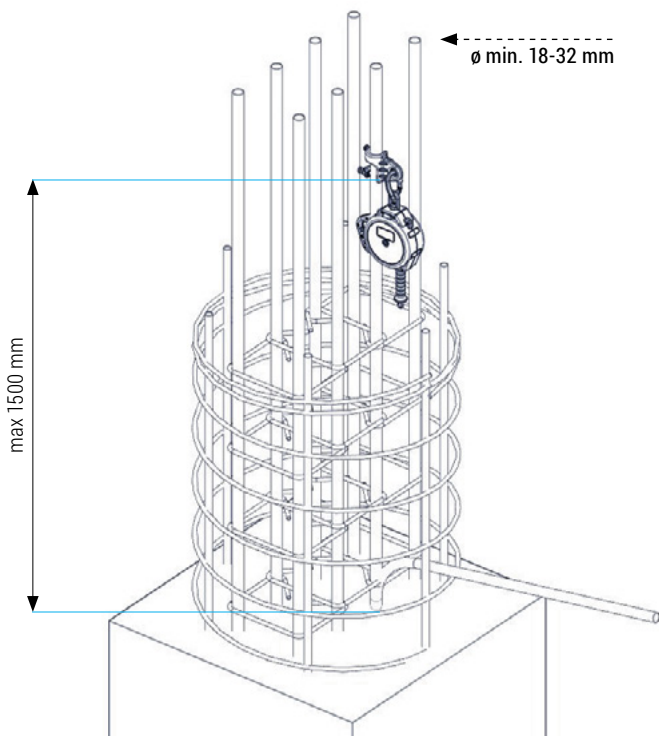
Dimensions: 100 x 163 x 70



## INSTALLATION OF ANCHOR POINT ON BAR

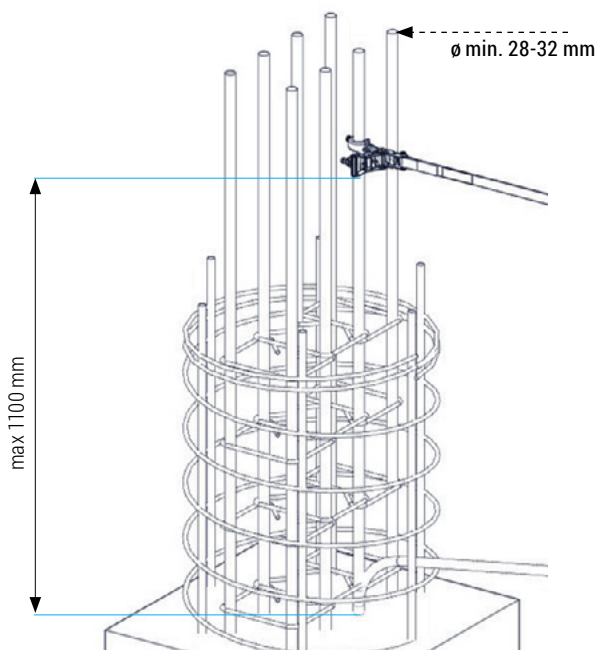
### Direct connection:

- Lower surface of anchor point AT187 cannot be installed on the bar higher than **1500mm** above concrete structure surface.
- Tighten to 30-40 Nm using torque wrench.
- Diameter of ribbed bar core must be min. **ø 18 mm-32mm** (when anchor point should be used by connecting it directly to energy absorbing and connecting components).



### Installation with horizontal anchor systems

- Height of up to 1100mm above concrete structure, diameter of ribbed bar core must be **ø 28-32mm** (when anchor point should be used with horizontal anchor system compliant with EN 795:2012 TYPE B, C).

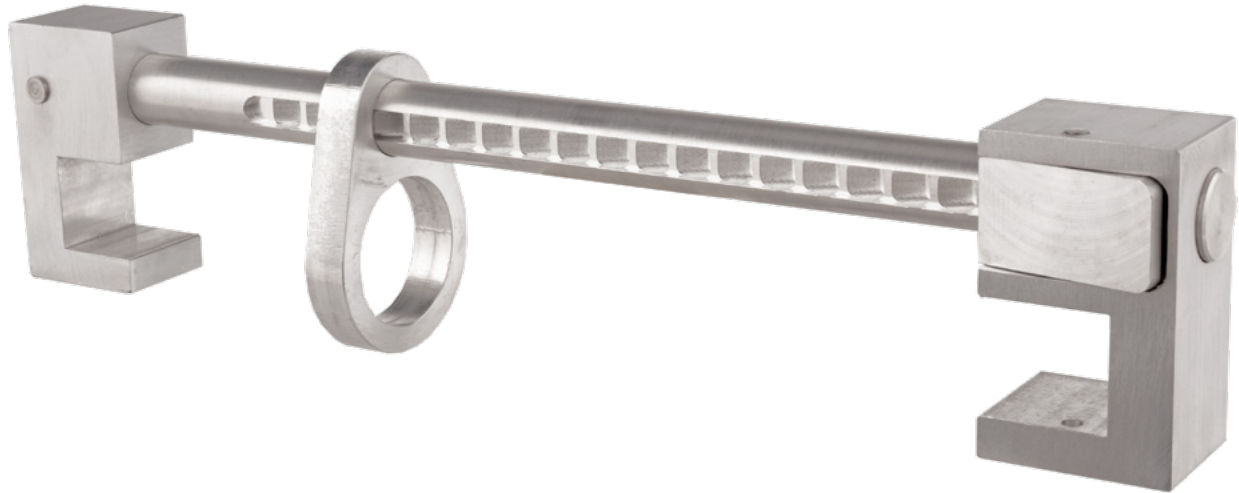


# AT 250

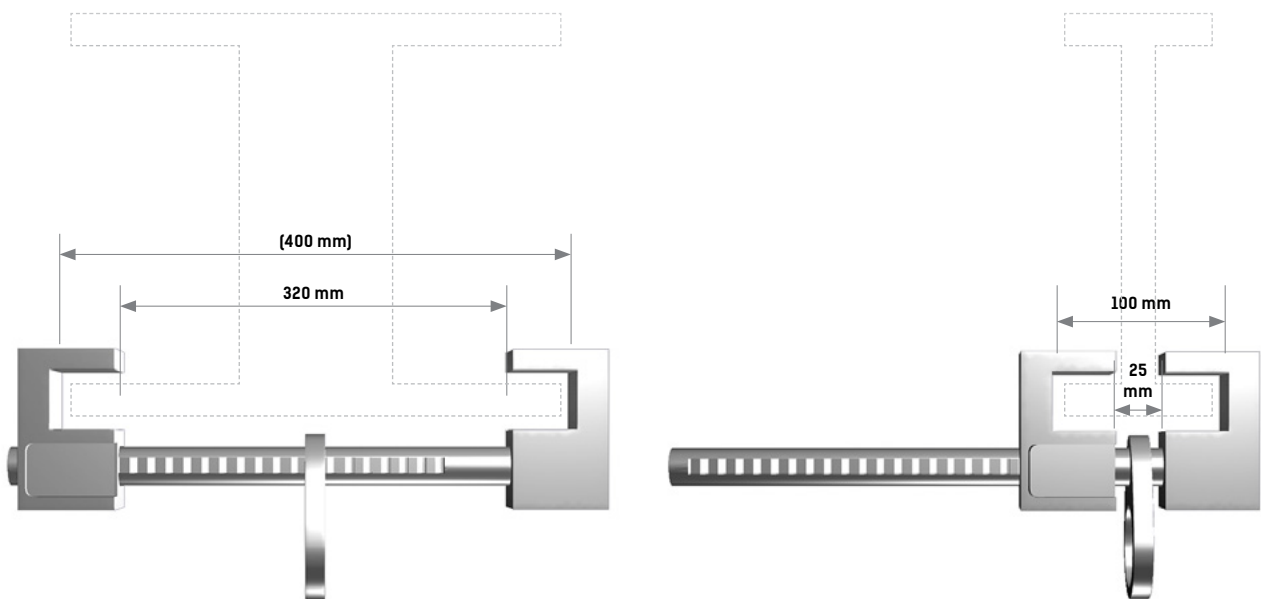
Anchor device

EN 795 TYPE B

Ref. no.: AT 250



## DIMENSIONS



Anchor device AT 250 is a portable anchor point, suitable for use with an I-beam rail. The rail must be fixed to a permanent structure.

## SPECIAL FEATURES



PROTECTION  
FOR 1 USER

## PARAMETERS

Minimum opening:	25 mm
Maximum opening:	320 mm
Material:	aluminium
Dimensions:	440 x 100 x 45 mm
Weight:	1,37 kg

# AT 251

Anchor device

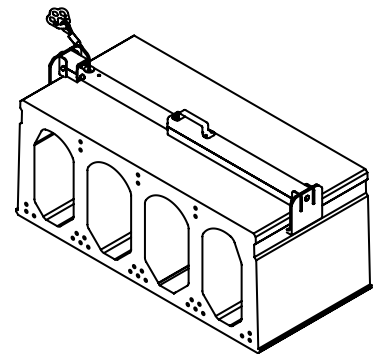
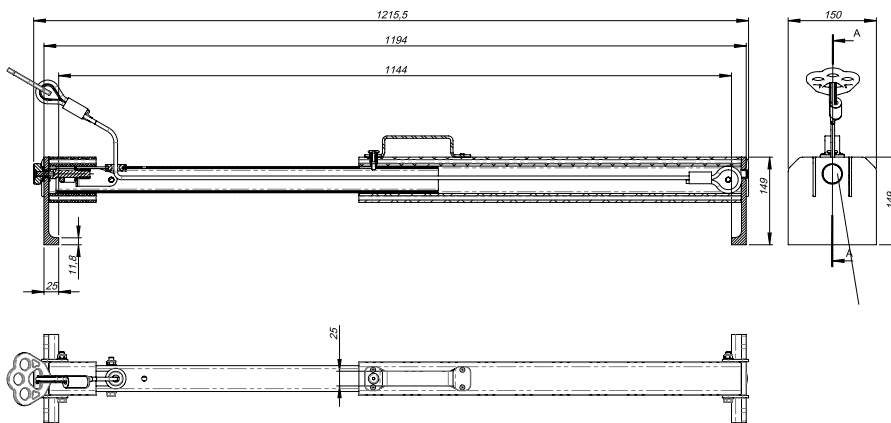
EN 795 TYPE B

Ref. no.: AT 251



## DIMENSIONS

## INSTALLATION



## SPECIAL FEATURES



PROTECTION  
FOR 3 USERS

## PARAMETERS

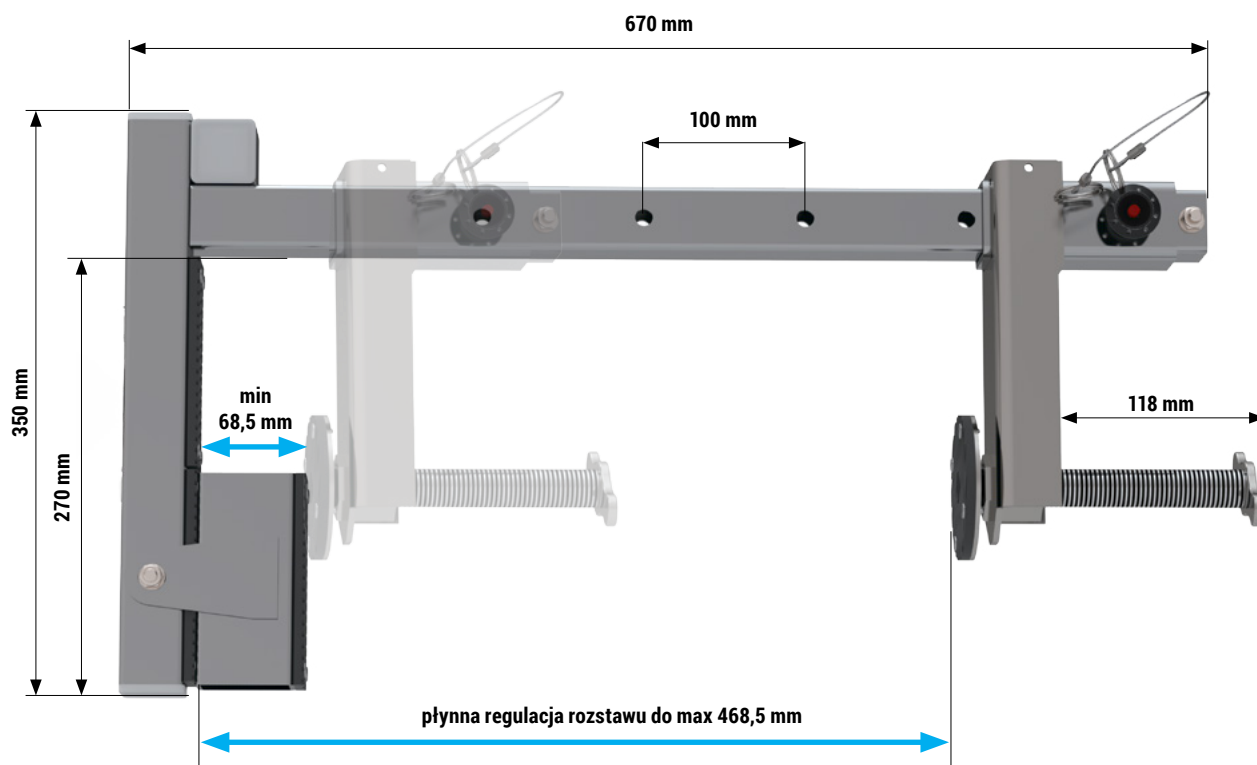
Material:	aluminium, stainless steel, copper
Dimensions when folded:	150 x 805 x 150 mm
Weight:	8 kg
Minimal Breaking force:	15 kN
Number of users:	max. 3

# AT 254

Anchor point for firewall

EN 795 TYPE B

Ref. no.: AT254-185-000  
AT254-153-000



Anchor point mounted to firewall. Designed for maximum two users. The device is made of galvanized steel. Construction of the device allows for quick installation without tools, even on firewalls with flashings. To mount the device, pre-adjust its width by moving the slider and locking it with automatic pin. Then screw two trapezoidal screws which will fix the device on firewall.

The device is equipped with a special socket with rivet nuts which enable easy installation and possible replacement of anchor points AT 185 and AT 153 (both points are made of stainless steel).

The strength of the device is min. 13 kN in downward vertical direction. The maximum load that the device can transfer to the structure during operation - 9 kN. If the device is used as a part of a fall arrest system, the user must be equipped with an element limiting the maximum dynamic forces acting on it during the fall arrest to max. 6 kN.

- ✓ Suitable for the existing flashing
- ✓ Easy installation without tools
- ✓ Possibility of easy replacement of anchor point AT 185 or AT 153

## SPECIAL FEATURES

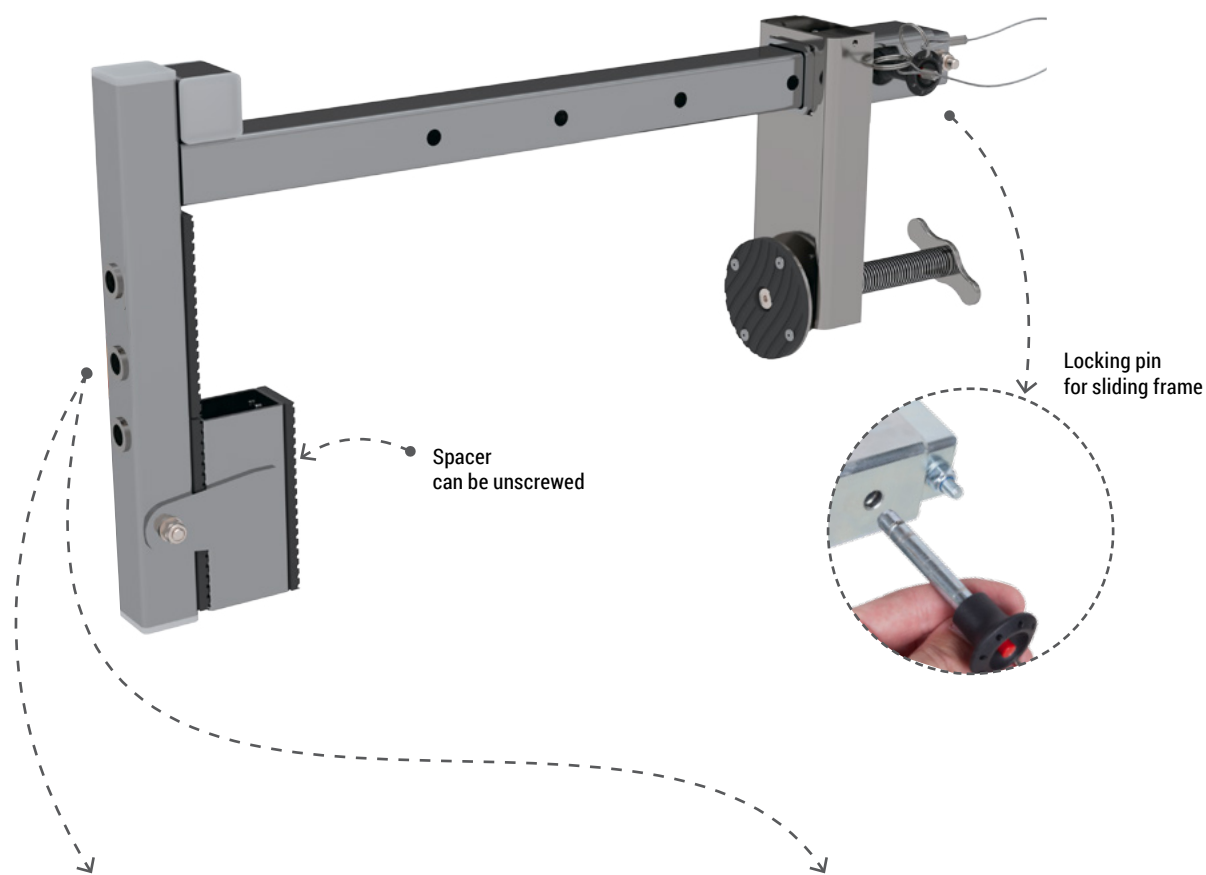


SECURITY  
FOR 2 USERS

## PARAMETERS

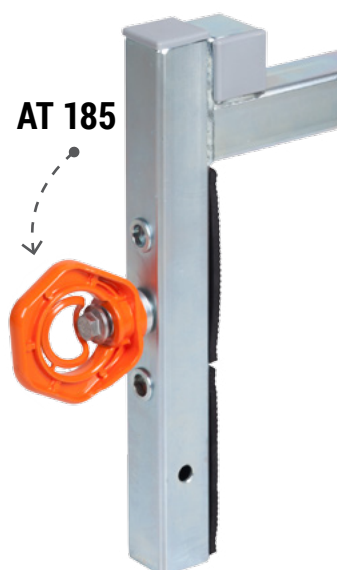
Material:	zinc-anodized steel
Dimensions:	774 x 350 x 90 mm
Static strength:	min. 13 kN





AT 254 + ANCHOR POINT AT 153

AT 254 + ANCHOR POINT AT 185

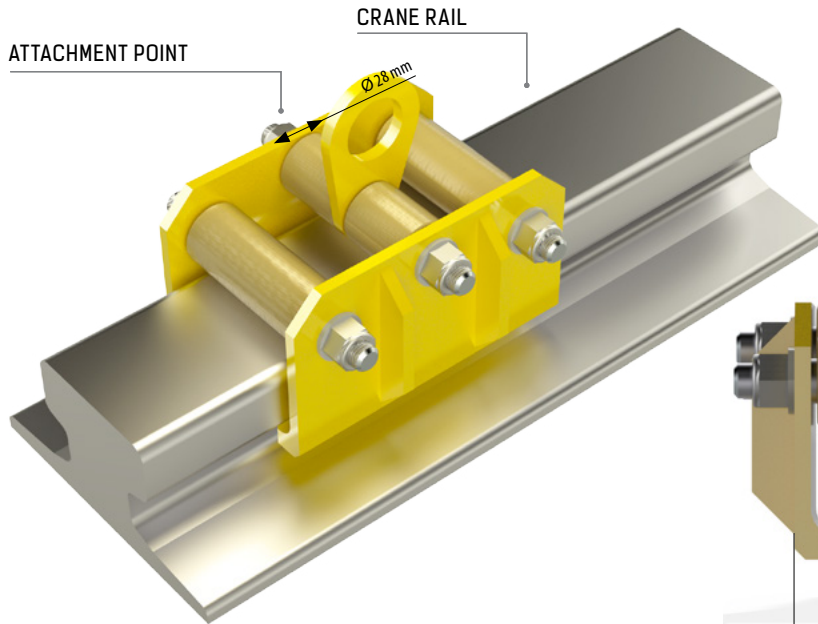


# SD 100

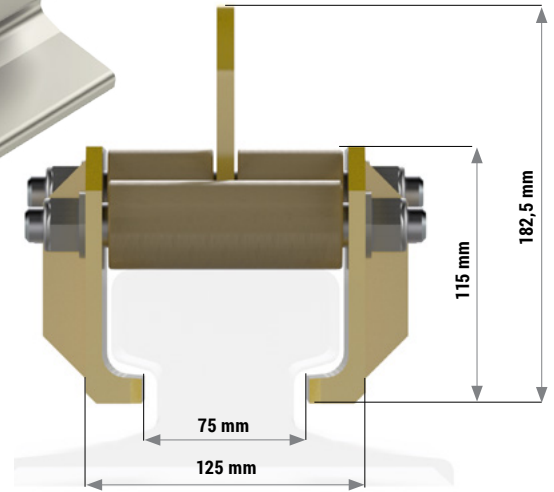
## Trolley for crane rail

PN-EN 795:1996

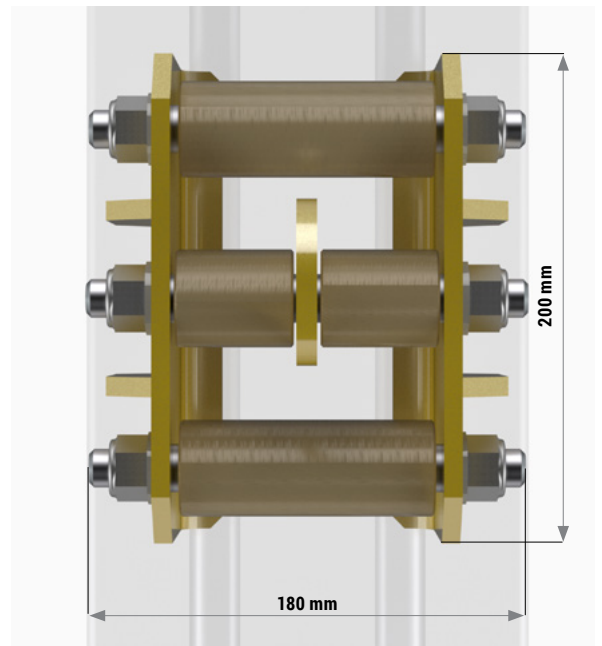
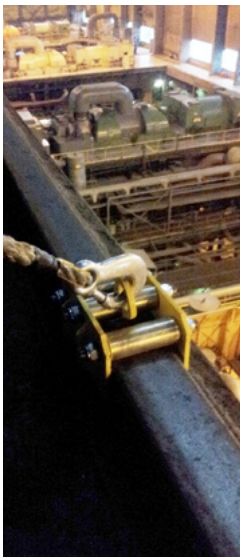
Ref. no.: SD 100



### DIMENSIONS



### INSTALLATION



Device SD 100 is a mobile anchoring trolley travelling along crane rail compliant with PN-62/H-93410. The device provides protection for one user performing work at a height, e.g. technical inspection.

### SPECIAL FEATURES



PROTECTION FOR 1 USER

### PARAMETERS

Material:	steel, brass
Finish:	powder coating
Weight:	7,56 kg
Dimensions:	200 x 182,5 x 180 mm
Breaking strength:	10 kN

# ST 010

Anchor device

EN 795 TYPE B

Ref. no.: AT 100

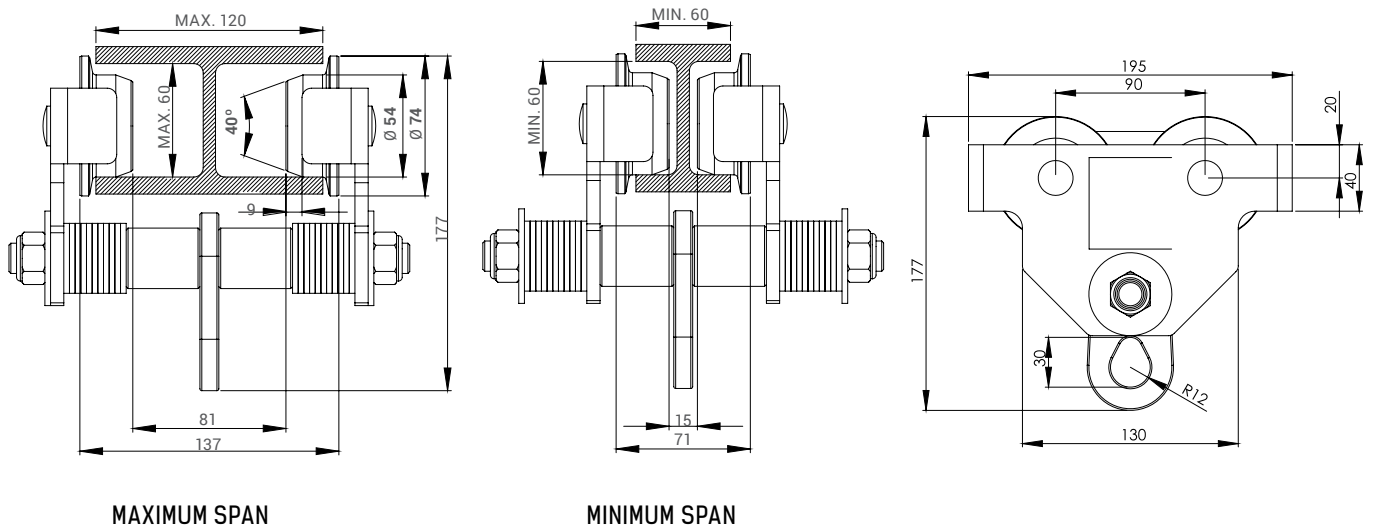


PRODUCT  
PRESENTATION

[protekt.co/st010](http://protekt.co/st010)



## DIMENSIONS



MAXIMUM SPAN

MINIMUM SPAN

Anchor trolley ST 010 is designed as a portable anchor (attachment) point. It must be used with fall protection equipment. The trolley moves (drives) along a horizontal I-beam (rail). The rail must be fixed to a permanent structure. Anchor trolley ST 010 can be used with rails, 65 mm to 120 mm wide. The trolley provides protection for one person only.

## PARAMETERS

Weight:	5,2 kg
Material:	painted galvanized steel

## SPECIAL FEATURES



PROTECTION  
FOR 1 USER

# ST 020

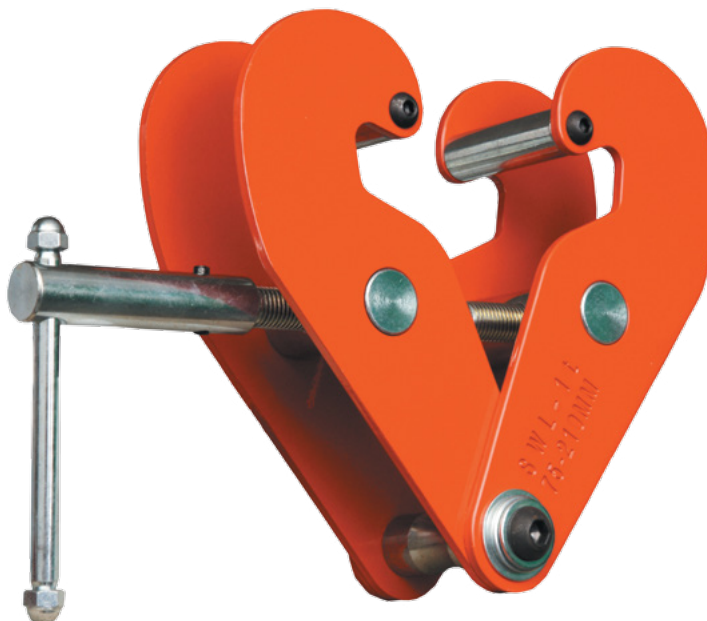
## Anchor device

EN 795 TYPE B

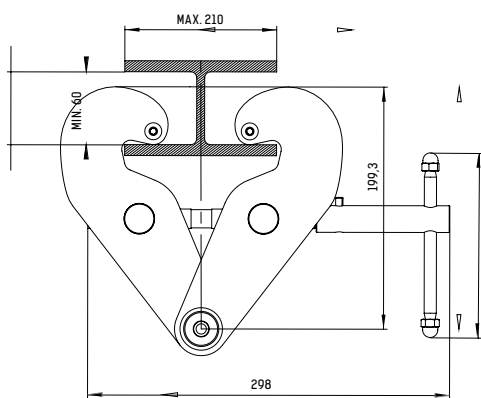
Ref. no.: AT 120



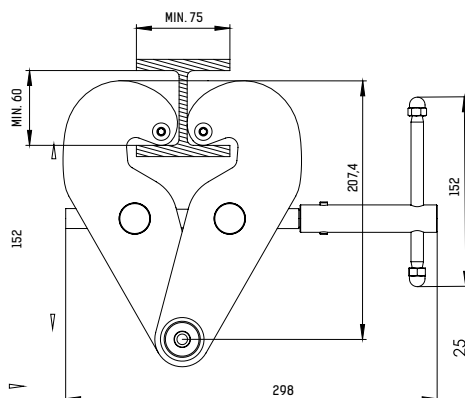
protekt.co/st020



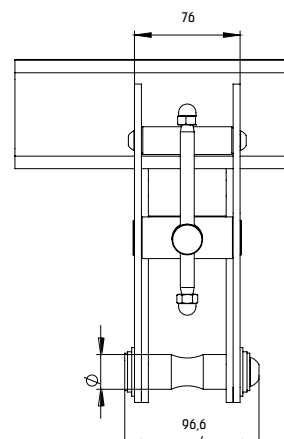
### DIMENSIONS



MAXIMUM SPAN



MINIMUM SPAN



### PARAMETERS

Weight:	4 kg
Material:	painted galvanized steel

### SPECIAL FEATURES



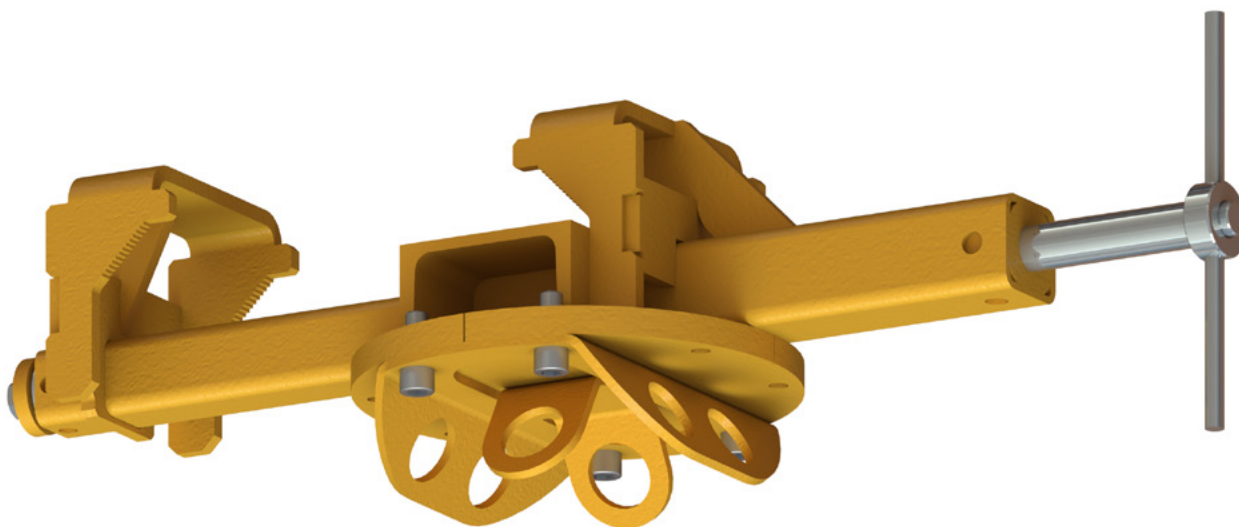
Anchor device ST 020 is a portable anchor point (as a protection for one person) suitable for use with an I-beam rail. The rail must be fixed to a permanent structure. Anchor device ST 020 can be used with rails, 75 mm to 210 mm wide.

# ST 030

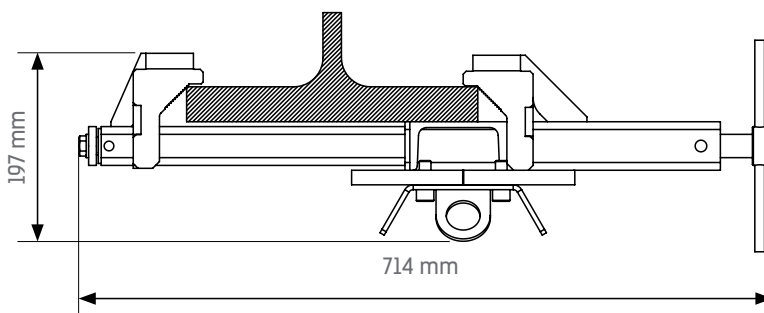
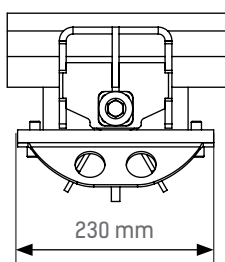
Anchor device

EN 795 TYPE B

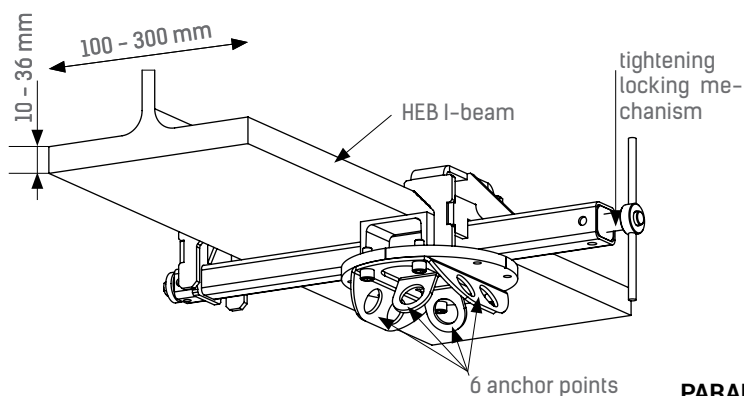
Ref. no.: AT 130



## DIMENSIONS



## INSTALLATION



## PARAMETERS

Material:	zinc-anodized steel
Dimensions:	72 x 20 x 23 cm
Weight:	~16,5kg

## SPECIAL FEATURES



PROTECTION  
FOR 6 USERS

Anchor device ST 030 is an element of personal fall protection equipment.

The device is a portable anchor point for fall protection equipment. The device can be mounted on HEB I-beams with flange 100 to 300mm wide and 10 to 36mm thick. The device provides protection for up to 6 users at a time. It is made of zinc-anodized and powder-coated steel.

# HL 709

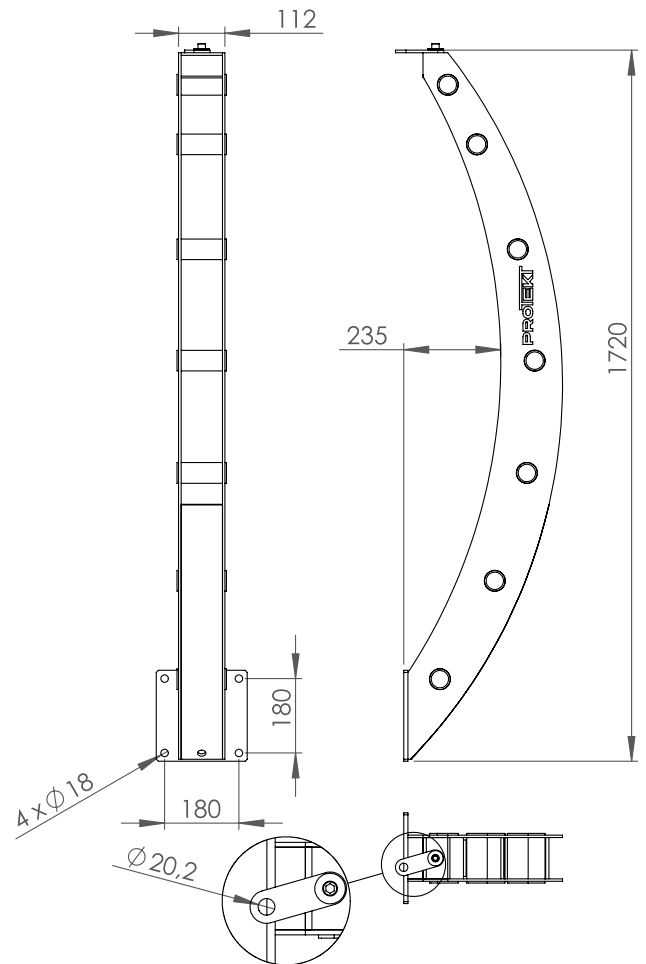
Anchor kit

EN 795 TYPE B

Ref. no.: HL 709



## DIMENSIONS



Posts HL 709 for cooperation with anchor device AE 320. The kit includes cargo bag AX 019 and fixing adapter.

## PARAMETERS

### ALUMINIUM VERSION:

Dimensions:	1720 mm x 220mm x 261mm
Weight:	14 kg
Material:	aluminium

### STEEL VERSION:

Dimensions:	1720 mm x 220mm x 261mm
Weight:	28 kg
Material:	hot-dip galvanized steel

## SPECIAL FEATURES



PROTECTION FOR 2 USERS



PERMITTED TO WORK IN POTENTIALLY EXPLOSIVE AREAS

## EXAMPLE USE



# HL 710

Adapter for post HL 709  
and HL 709DIEL installation



Ref. no.: HL 710



## THE KIT COMPRISES

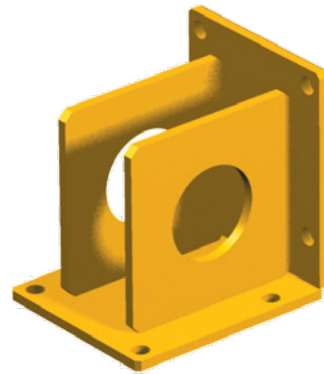
2 x HL 709 anchor post



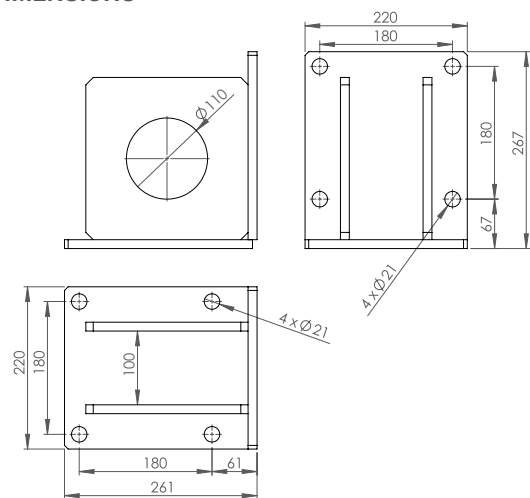
2 x AX 019  
cargo bag



1 x AE 320  
anchor device

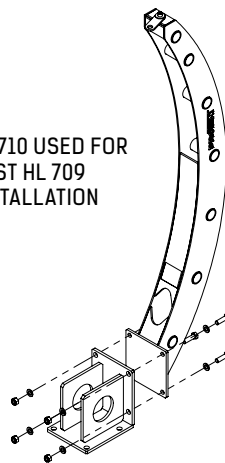


## DIMENSIONS

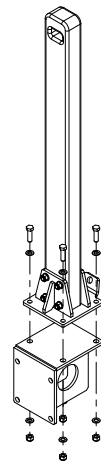


## EXAMPLE USE

HL 710 USED FOR  
POST HL 709  
INSTALLATION



HL 710 USED FOR  
POST HL 709DIEL  
INSTALLATION



REF. NO.:

2 aluminium posts HL 709 + 2 bags AX 019

2 steel posts HL 709 + 2 bags AX 019

AE 320 20 - 10m long

## PARAMETERS

Weight: 18,10 kg  
Material: powder coated steel

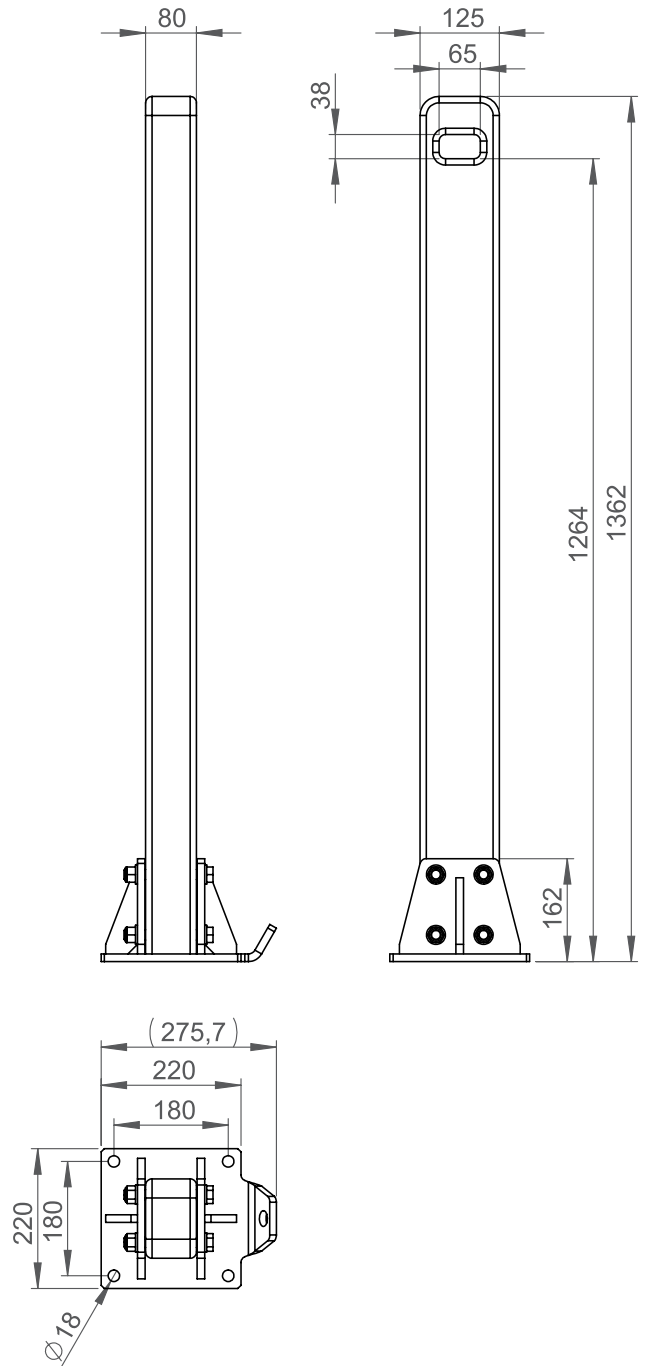
EN 795 TYPE C

Ref. no.: HL 709DIEL



anchor post HL 709DIEL

### DIMENSIONS



Post HL 709DIEL is an ultimate support point for safety horizontal webbing AE320/10m. In combination with this webbing, it forms a temporary horizontal anchor system complying with EN 795:2012 for devices type C. The system is designed for works on transformers or other high-voltage devices. The post must be removed for discharge tests what considerably reduces the time for preparation of the device for the test. The kit is intended for 2 users working at a time.

### PARAMETERS

Dimensions: 1362 x 275 x 220 mm

Weight: 36,5 kg

Material: post: glass and epoxy material EP GC 201 in accordance with PN EN 60893

### SPECIAL FEATURES



PERMITTED TO WORK IN POTENTIALLY EXPLOSIVE AREAS

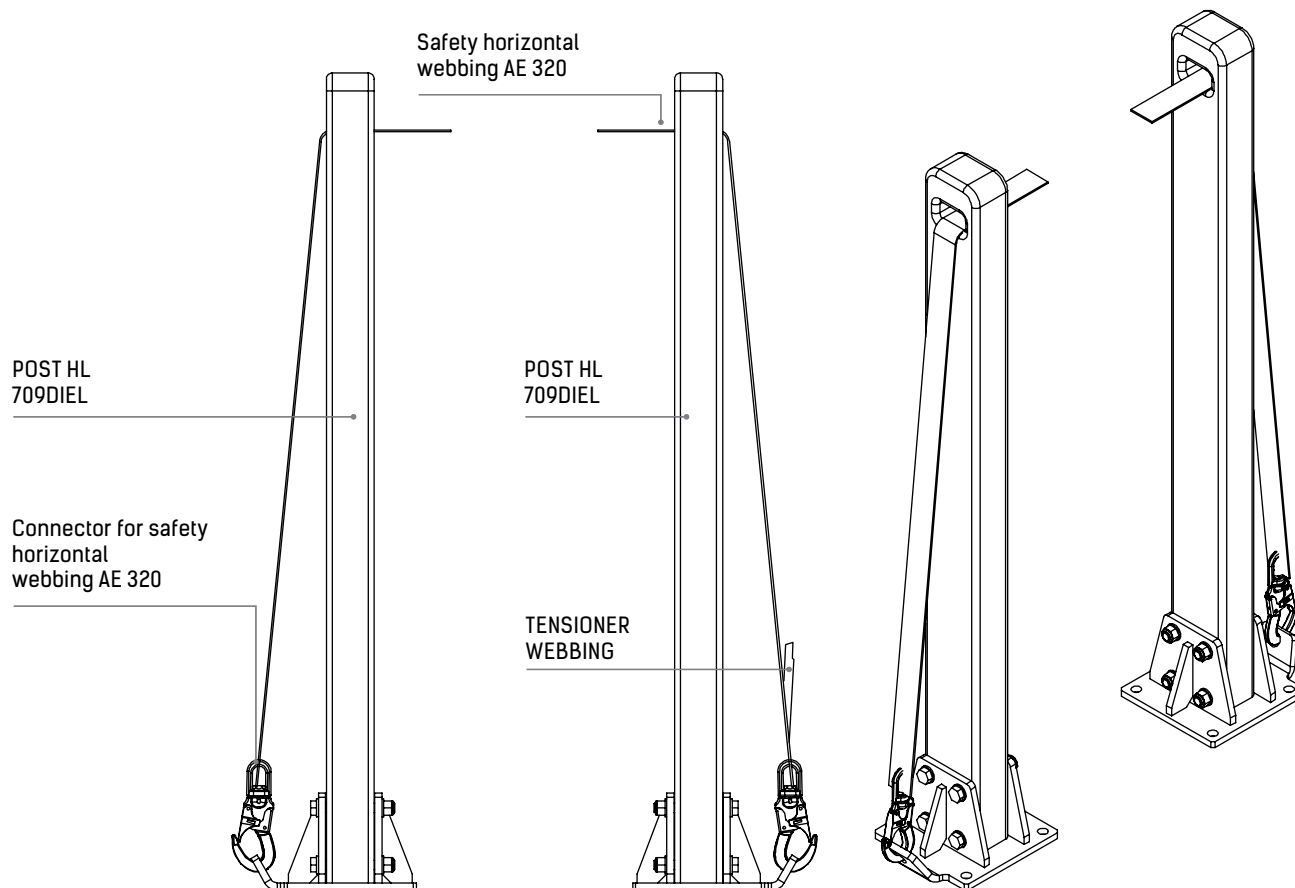


**ANCHOR KIT IS SUBJECT TO INDIVIDUAL ESTIMATION**

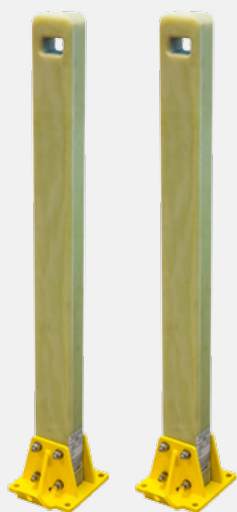




EXAMPLE USE



THE KIT COMPRISES



2 x HL 709DIEL



AE 320  
Anchor device  
10 m long

# TEMP

## Anchor system TEMP

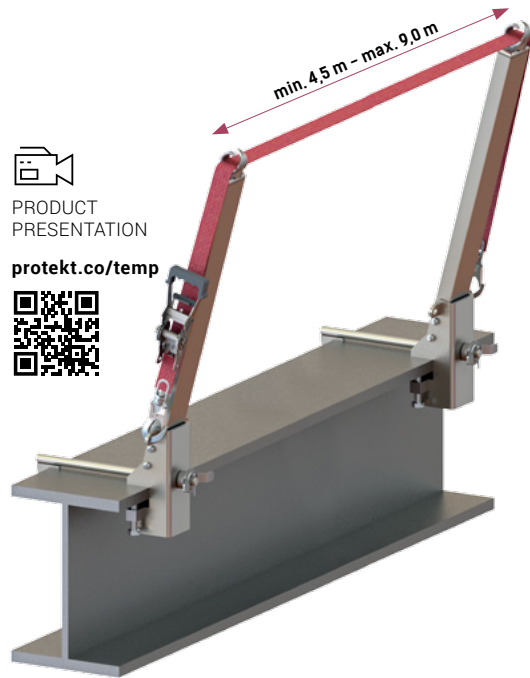
EN 795 TYPE C

Ref. no.: TEMP (HL730+AE320)

### Kit TEMP 009

single-span configuration for 9m system

2 x HL 730 + AE 320 webbing 20,0 m



PRODUCT  
PRESENTATION

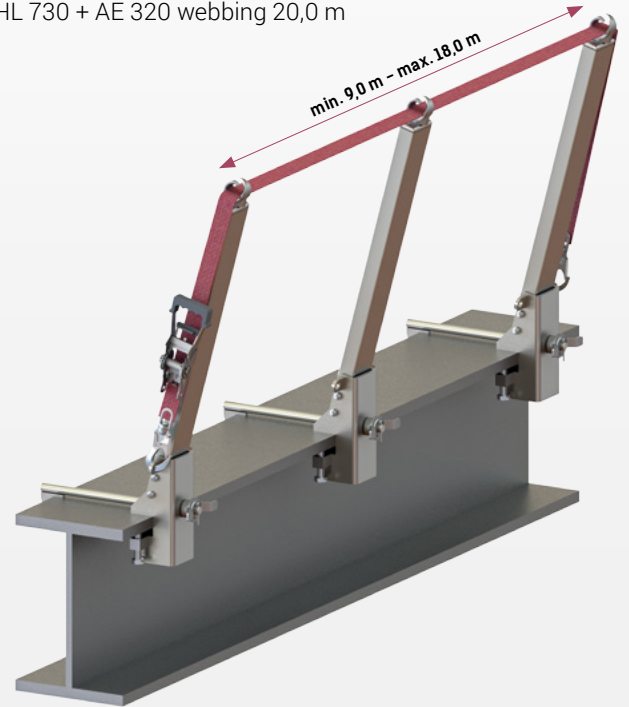
[protekt.co/temp](http://protekt.co/temp)



### Kit TEMP 018

two-span configuration for 18m system

3 x HL 730 + AE 320 webbing 20,0 m



THE KIT COMPRISES

2 x HL 730



1 x AE 320



REF. NO.:

TEMP 002 - 2 x posts

AE 320 20 - long 20 m



THE KIT COMPRISES

3 x HL 730



1 x AE 320



REF. NO.:

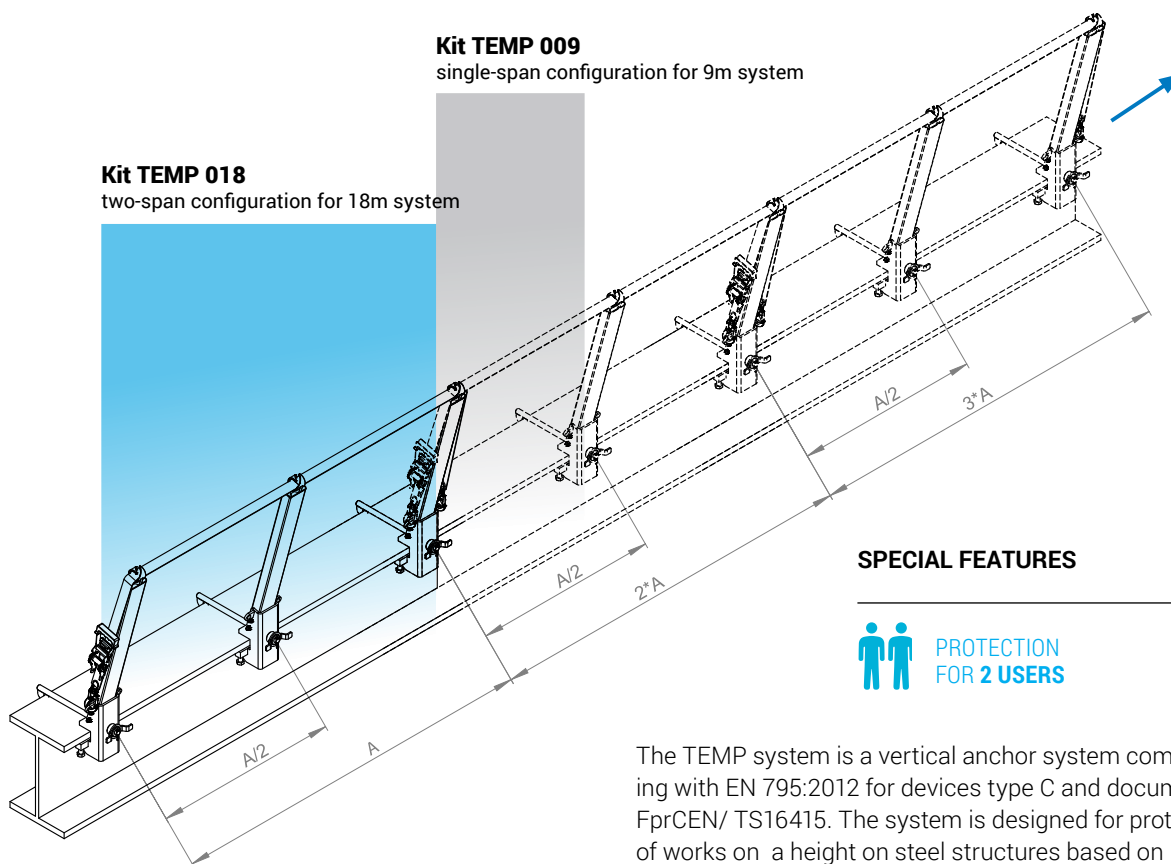
TEMP 003 - 3 x posts

AE 320 20 - long 20 m



**EXAMPLE USE**

The system can be expanded by adding more posts HL 730.



**SPECIAL FEATURES**



**PROTECTION FOR 2 USERS**

The TEMP system is a vertical anchor system complying with EN 795:2012 for devices type C and document FprCEN/ TS16415. The system is designed for protection of works on a height on steel structures based on I-beams and other works on steel structures. The system is easy and quick to install and requires no special tools. The system can be expanded by more modules, each 18 m long

**Elements for expansion of TEMP system by more spans**

**DIMENSIONS**



HL 730

AE 320

**PARAMETERS**

Dimensions: 1100 mm x 300mm x 212mm

Weight: 18,8 kg

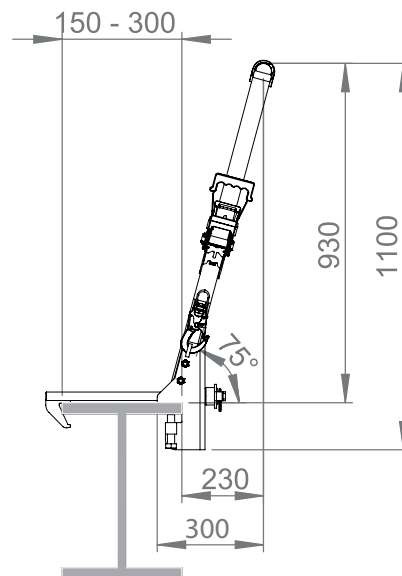
Material: zinc-anodized steel

REF. NO.:

HL 730 - 1 x posts

REF. NO.:

AE 320 20 - long 20 m

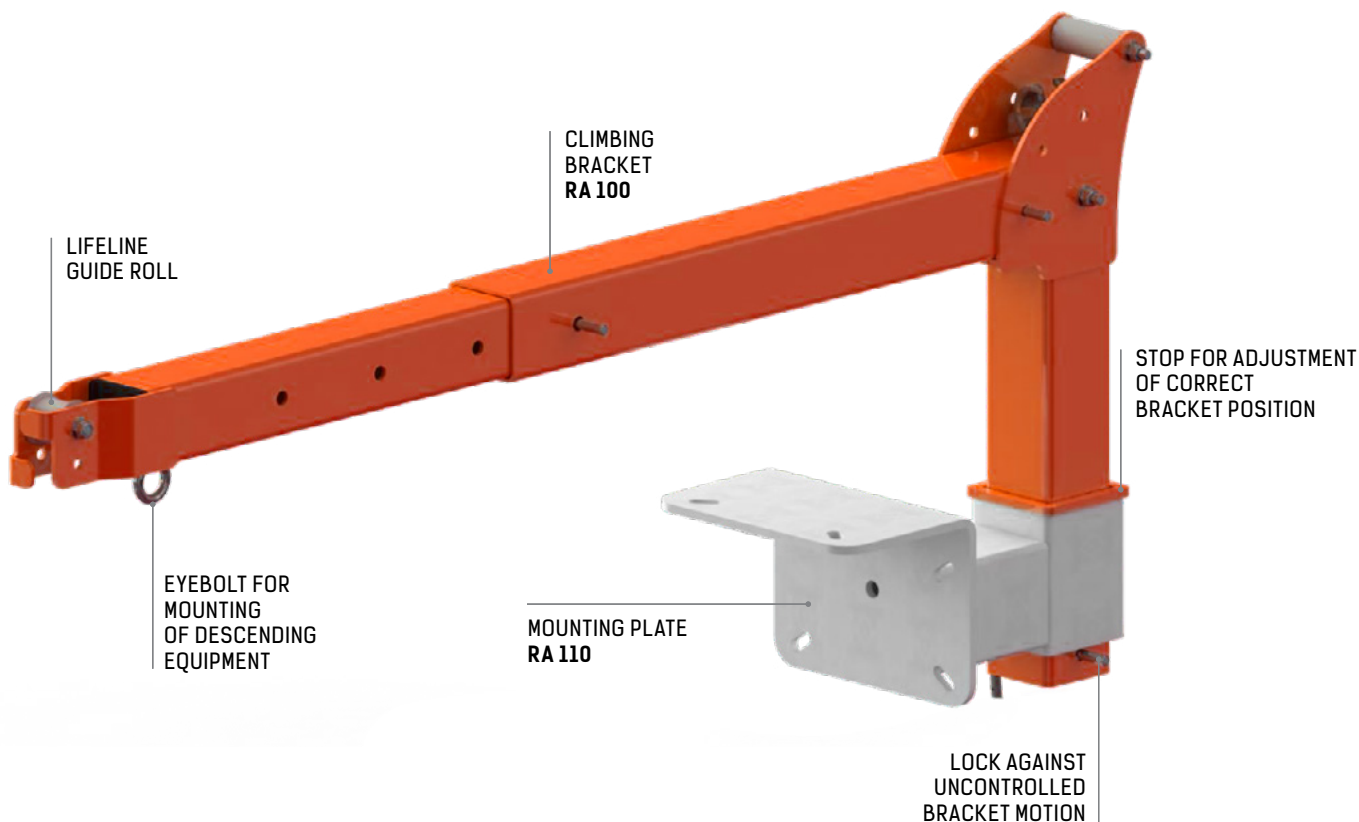


# RA 100

## Mobile climbing bracket

EN 795 TYPE B

Ref. no.: RA 100



Mobile climbing bracket RA 100 has been designed to provide safe access to building façades through attachment of "Bosun's chair" type devices (BA, BA100, BA200 or BA300) enabling mobility of worker performing works at a height, e.g. façade washing. Climbing bracket conforms to EN 795 type B "Personal fall protection equipment. Anchor devices. Requirements and testing" in static and dynamic strength.

For suspension of one worker, according to the standard it is required that static strength of the bracket only must be 10kN. The bracket is made of hot-dip galvanized steel and it is possible to provide a customised finish by powder coating in any colour.

### PARAMETERS

Working Load Limit	150 kg (1 person + equipment)
Min. strength of device	10 kN
Total weight	25 kg
Weight of plate	17 kg
Working reach	do 1,35 m
Number of mounting anchors	6
Concrete strength	min. 200 MPa

REF. NO.:

RA 100 - bracket

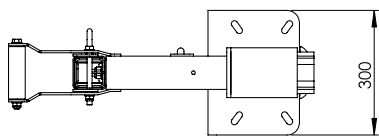
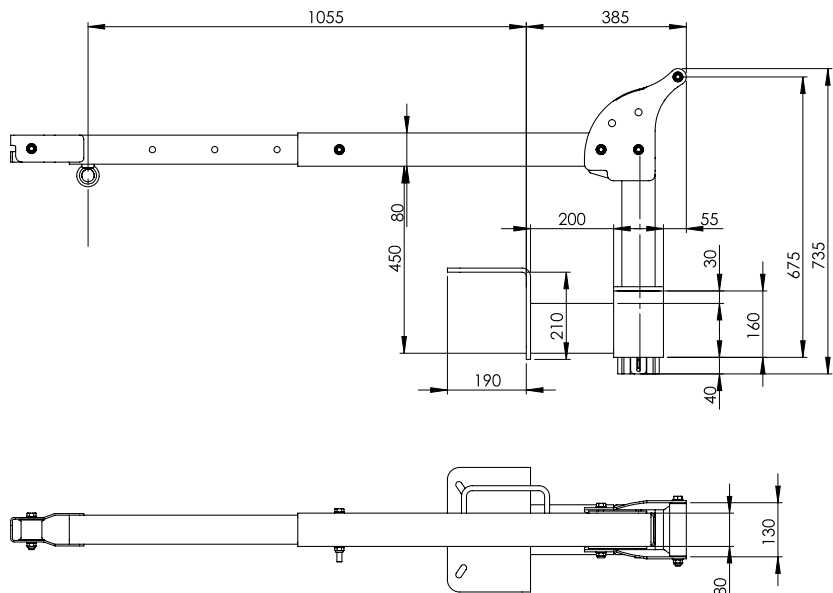
RA 110 - mounting plate



### EXAMPLE USE



### DIMENSIONS





**PROTEKT®**

USE IMAGINATION | PROTECT YOUR LIFE

WWW.PROTEKT.UK

**OFFICE**

Skromna 6  
93-405 Lodz  
Polska

Phone: +48 42 29 29 500  
fax +48 42 680-20-93

**CORRESPONDENCE ADDRESS:**

Protekt  
Starorudzka 9  
93-403 Lodz  
Poland

**WAREHOUSE**

Gombrowicza 6  
93-405 Lodz  
Poland

**EXPORT SALES DEPARTMENT**

export@protekt.com.pl  
Phone: +48 42 29 29 500  
fax +48 42 680-20-93

**JOANNA KRASKA**

asia@protekt.com.pl  
Phone: +48 42 29 29 508

**ANNA BRACICHOWICZ**

anna@protekt.com.pl  
Phone: +48 42 29 29 542

**MONIKA TYCHACZKA**

monikat@protekt.com.pl  
Phone: +48 42 29 29 506

**AGATA ŁUKASIEWICZ**

agata@protekt.com.pl  
Phone: +48 42 29 29 510