



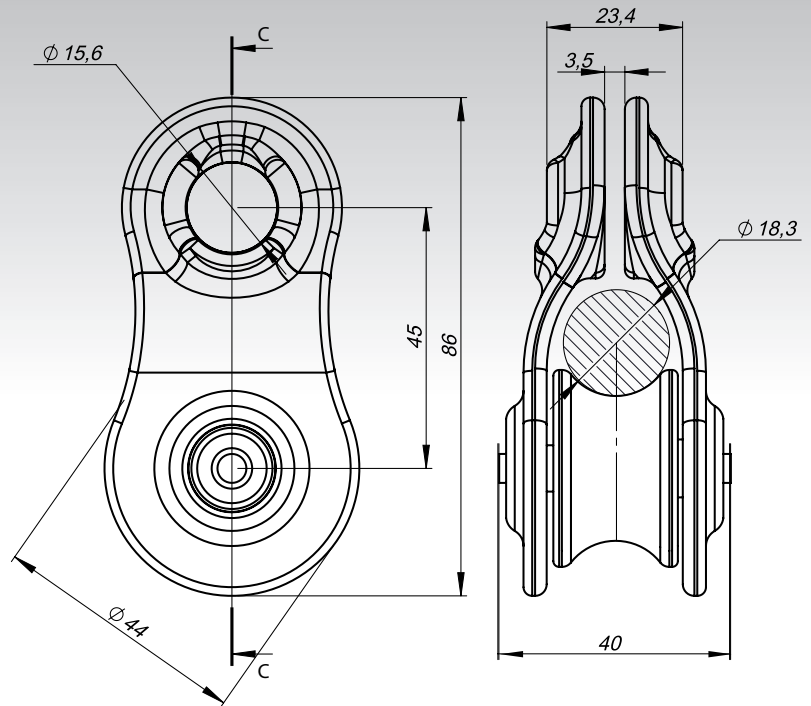
TU 420

Single rope pulley made of forged aluminum, equipped with a ball bearing.



Made in Poland

» EN 12278



PARAMETERS

Standard:	EN 12278
Weight:	120 g
Dostępne kolory:	
Material:	forged aluminum, stainless steel
Dimensions:	44 x 86 x 40 mm
MBS :	25 kN
WLL::	5 kN
Permissible diameter of working rope ϕ :	13,5 mm

