

PROTEKT®

NEW

PSD

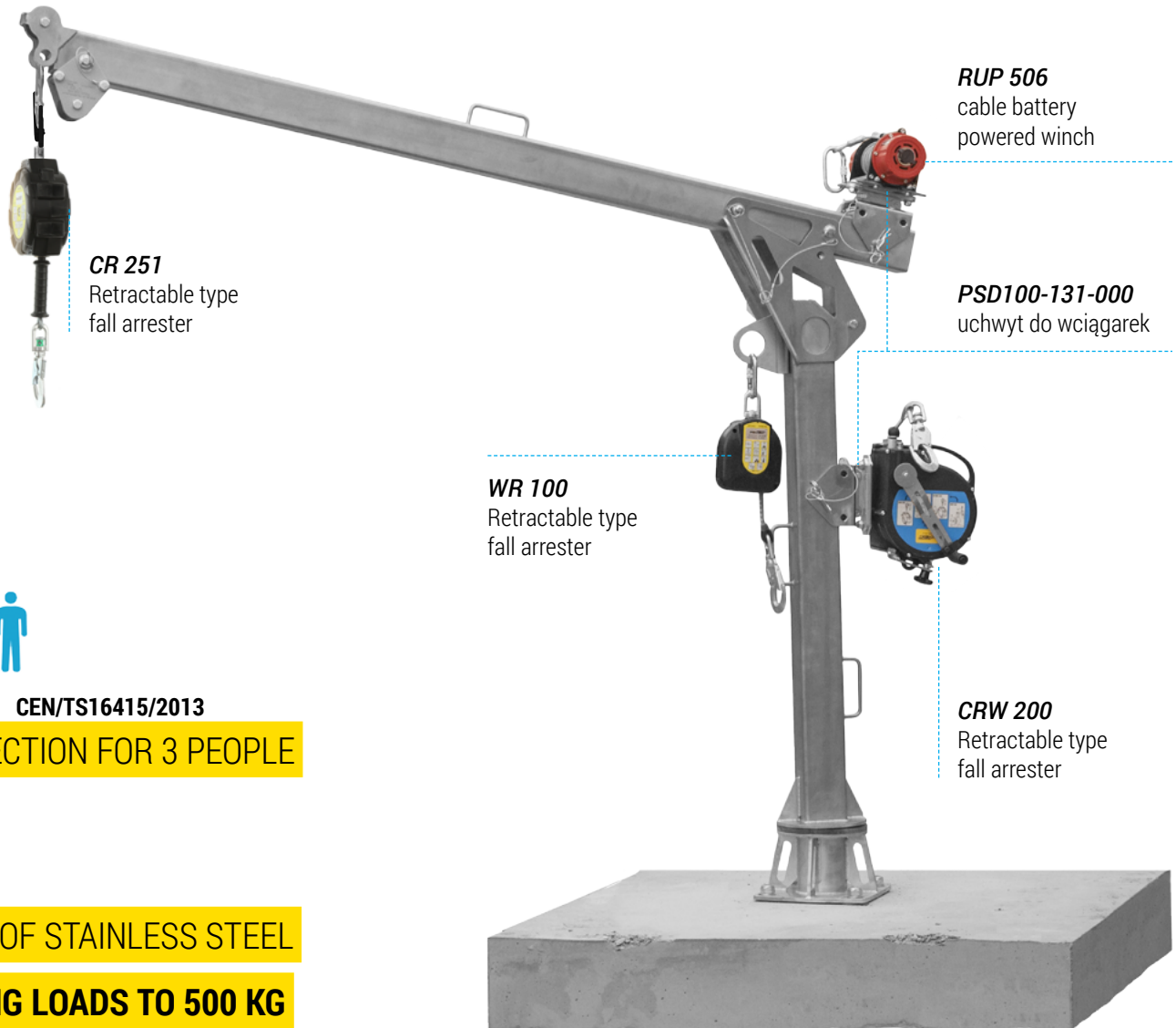
Portable
steel davit



Made
in Poland

PSD

Portable steel davit



EN795/B CEN/TS16415/2013

PROTECTION FOR 3 PEOPLE

MADE OF STAINLESS STEEL

LIFTING LOADS TO 500 KG

Picture of example equipment of the davit

PSD — Portable Steel Davit Arm System is environment resistant, fully modular lifting and lowering device. Can be used for lifting loads up to 500 kg (indicated on the Jib) or for personal protection up to three people at the same time or for personal rescue operations using RUP 502 / CRW 200 / CR300 rescue lifting devices (up to 140 kg). PSD device is made of stainless steel.

PROTEKT[®]

OFFICE - Skromna 6, 93-405 Lodz, POLAND / CORRESPONDENCE ADDRESS - PROTEKT, Starorudzka 9, 93-403 Lodz, POLAND

SALES DEPARTMENT Phone +48 42 29-29-500, export@protekt.com.pl, fax +48 42 680-20-93

WAREHOUSE - Gombrowicza 6, 93-405 Lodz, POLAND

WWW.PROTEKT.PL

Components PSD



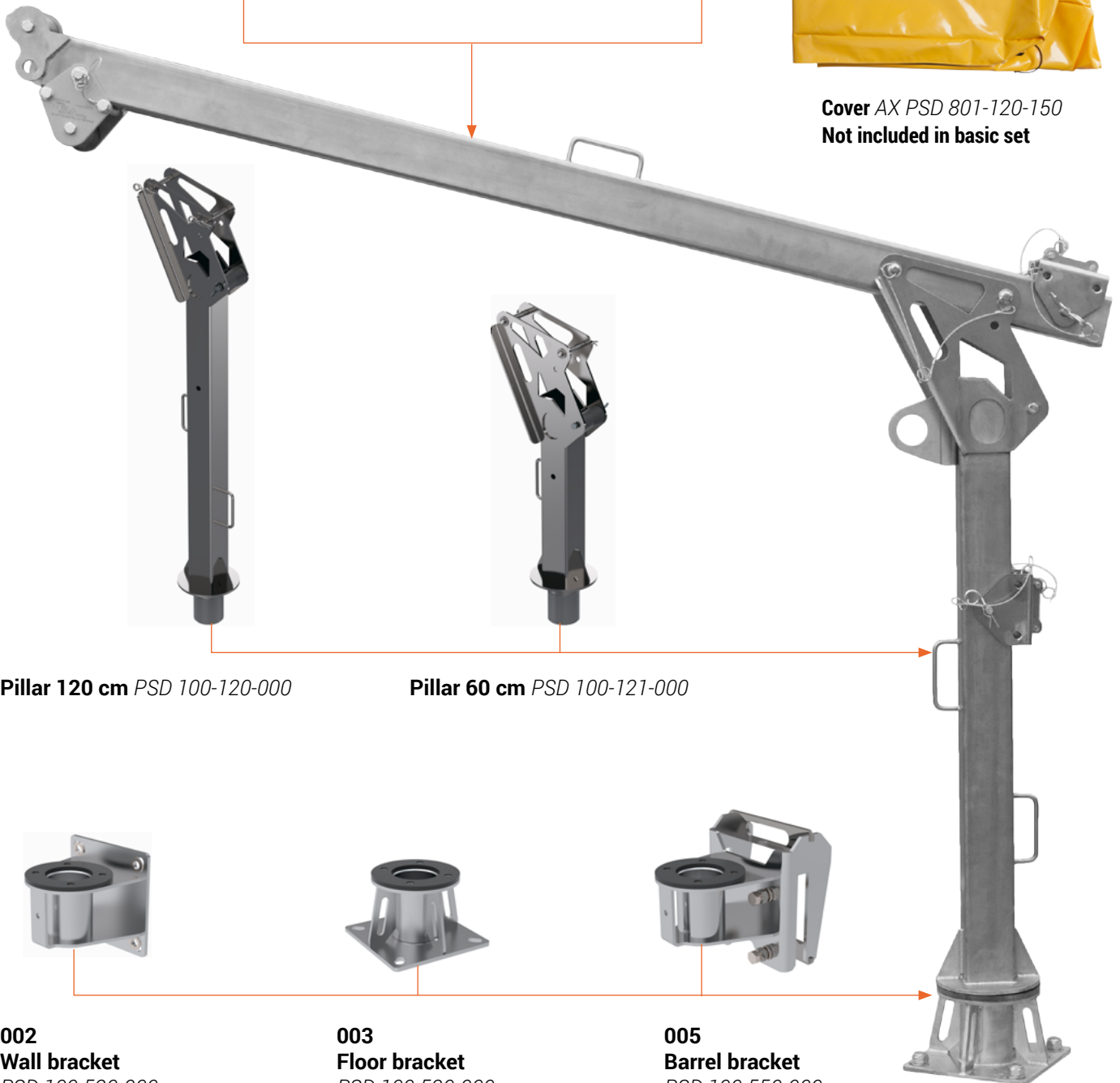
Jib 150 cm PSD 100-110-000



Jib 200 cm PSD 100-111-000



Cover AX PSD 801-120-150
Not included in basic set



Pillar 120 cm PSD 100-120-000



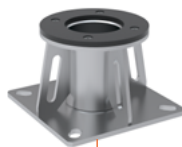
Pillar 60 cm PSD 100-121-000



002
Wall bracket
PSD 100-520-000



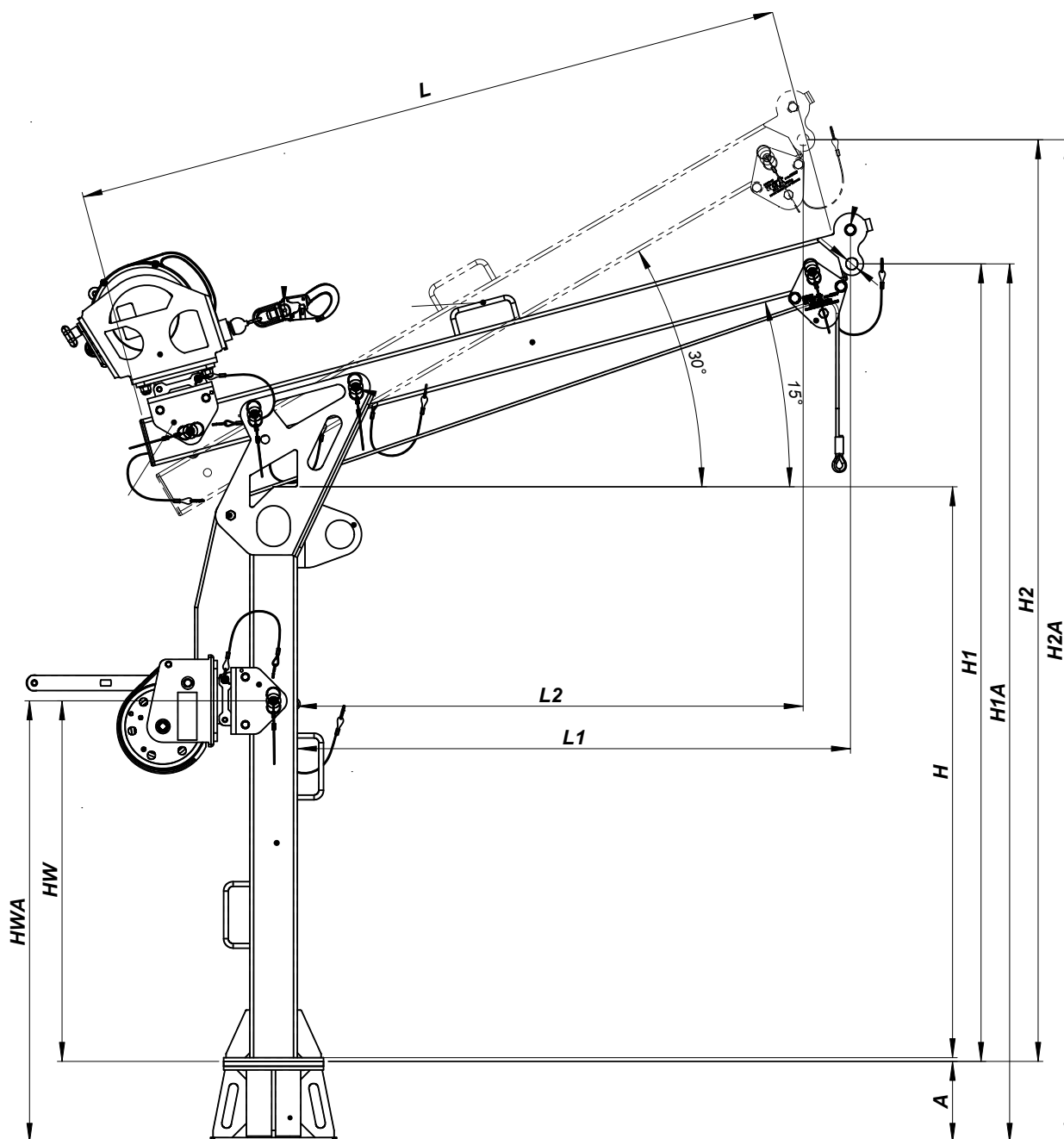
003
Floor bracket
PSD 100-530-000



005
Barrel bracket
PSD 100-550-000



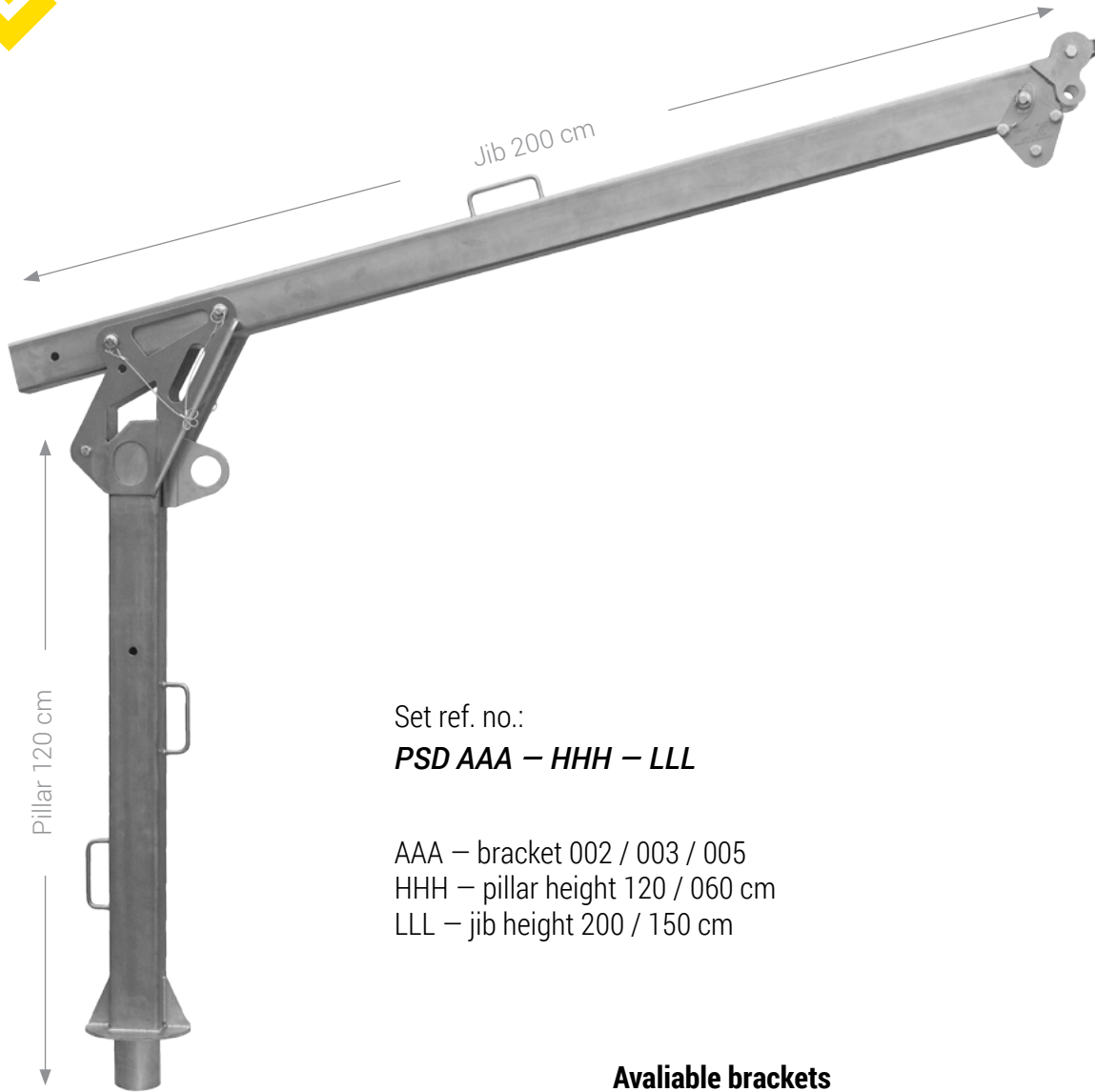
Basic dimensions PSD



BRACKET REF	"A" [m]	Weight [kg]	PILLAR REF	"H" [m]	"HW" [m]	"HWA" [m]	Weight [kg]	JIB REF	"L" [m]	Weight [kg]	"L1" [m]	"L2" [m]	"H1" [m]	"H2" [m]	PSD SET REF	"H1A" [m]	"H2A" [m]	Weight [kg]
PSD100-520-000 #2 WALL	0,22	11,45	PSD100-121-000	0,6	0,36	0,58	18,06	PSD100-110-000	1,5	20,7	1,16	1,06	1,08	1,34	PSD002-060-150	1,30	1,56	50,22
		11,45					18,06	PSD100-111-000	2,0	26,7	1,65	1,50	1,21	1,59	PSD002-060-200	1,42	1,81	56,21
		11,45	PSD100-120-000	1,2	0,75	0,97	25,50	PSD100-110-000	1,5	20,7	1,16	1,06	1,68	1,94	PSD002-120-150	1,90	2,16	57,66
		11,45					25,50	PSD100-111-000	2,0	26,7	1,65	1,50	1,81	2,19	PSD002-120-200	2,02	2,41	63,65
PSD100-530-000 #3 GROUND	0,17	10,66	PSD100-121-000	0,6	0,36	0,53	18,06	PSD100-110-000	1,5	20,7	1,16	1,06	1,08	1,34	PSD003-060-150	1,25	1,51	49,43
		10,66					18,06	PSD100-111-000	2,0	26,7	1,65	1,50	1,21	1,59	PSD003-060-200	1,38	1,76	55,42
		10,66	PSD100-120-000	1,2	0,75	0,92	25,50	PSD100-110-000	1,5	20,7	1,16	1,06	1,68	1,94	PSD003-120-150	1,85	2,11	56,87
		10,66					25,50	PSD100-111-000	2,0	26,7	1,65	1,50	1,81	2,19	PSD003-120-200	1,98	2,36	62,86



Basic set no. 1



Set ref. no.:

PSD AAA – HHH – LLL

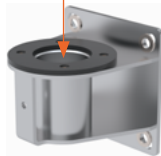
AAA – bracket 002 / 003 / 005

HHH – pillar height 120 / 060 cm

LLL – jib height 200 / 150 cm

Availiable brackets

002
Wall bracket



003
Floor bracket



005
Barrel bracket



Set nr.1 ref. no.:

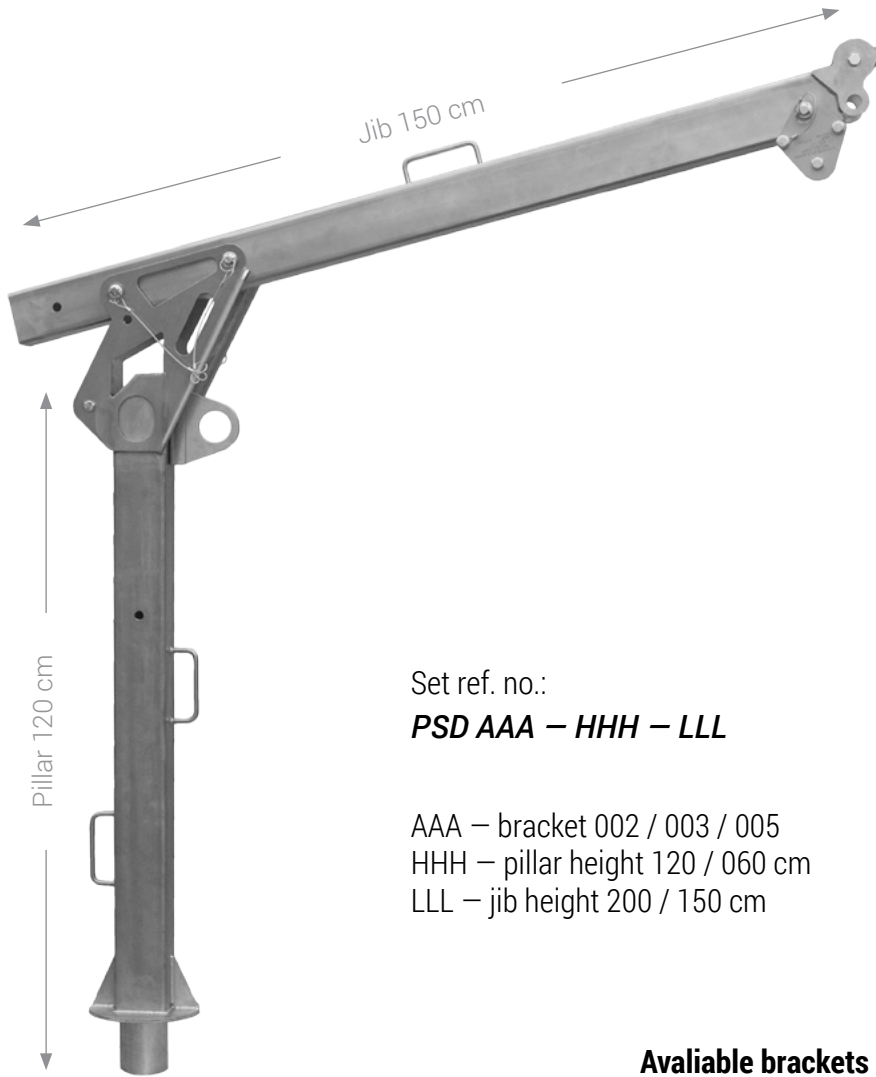
PSD 002-120-200

PSD 003-120-200

PSD 005-120-200



Basic set no. 2

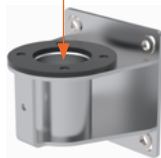


Set ref. no.:
PSD AAA – HHH – LLL

AAA – bracket 002 / 003 / 005
HHH – pillar height 120 / 060 cm
LLL – jib height 200 / 150 cm

Availiable brackets

002
Wall bracket



003
Floor bracket



005
Barrel bracket



Set nr.2 ref. no.:

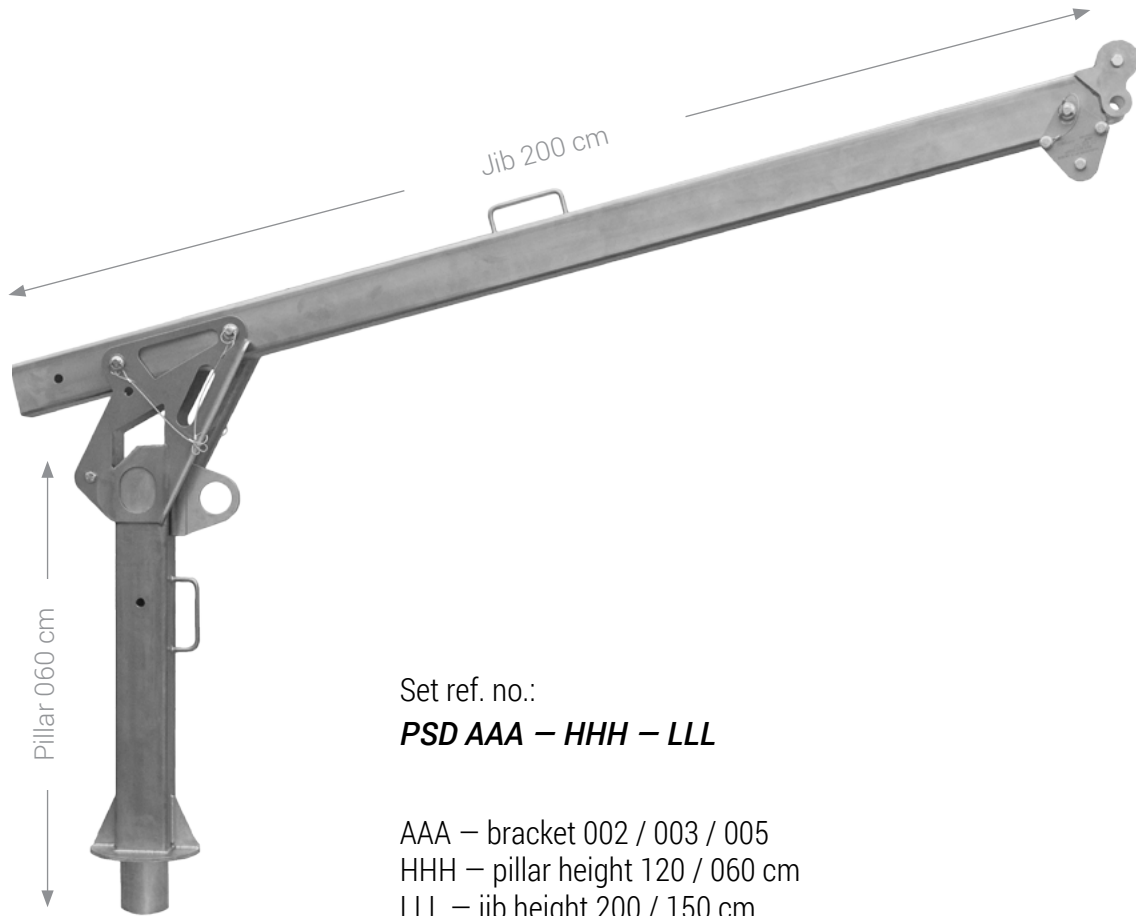
PSD 002-120-150

PSD 003-120-150

PSD 005-120-150



Basic set no. 3



Set ref. no.:
PSD AAA – HHH – LLL

AAA – bracket 002 / 003 / 005
HHH – pillar height 120 / 060 cm
LLL – jib height 200 / 150 cm

Availiable brackets

002
Wall bracket



003
Floor bracket



005
Barrel bracket



Set nr.3 ref. no.:

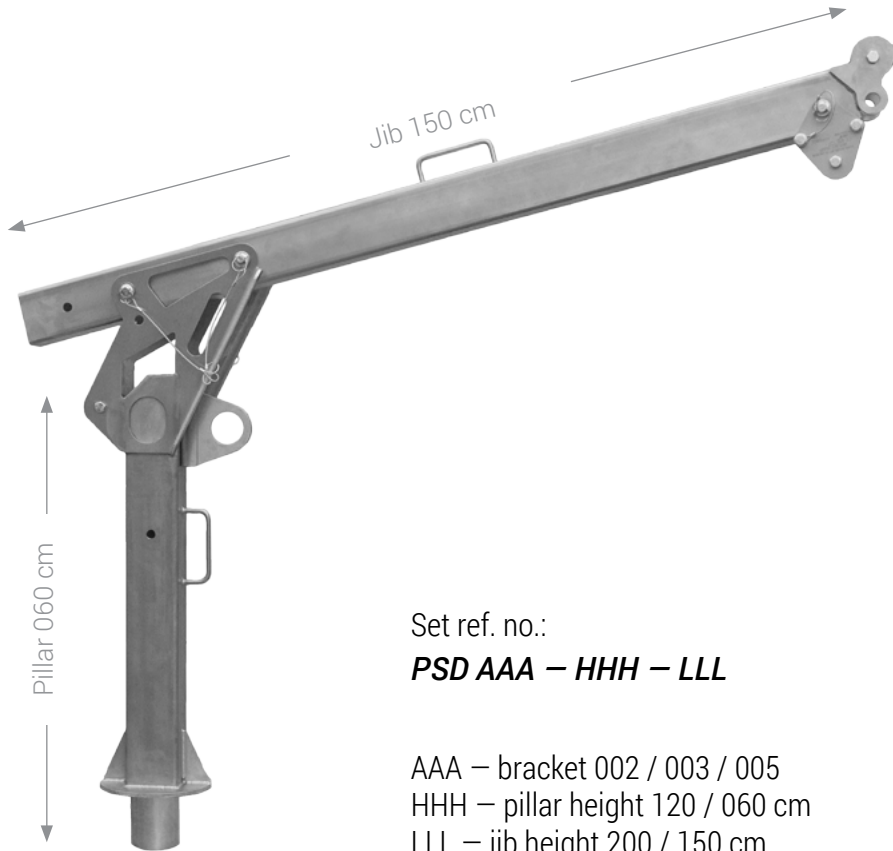
PSD 002-060-200

PSD 003-060-200

PSD 005-060-200



Basic set no. 4

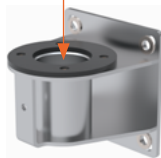


Set ref. no.:
PSD AAA – HHH – LLL

AAA – bracket 002 / 003 / 005
HHH – pillar height 120 / 060 cm
LLL – jib height 200 / 150 cm

Availiable brackets

002
Wall bracket



PSD 002-060-150

003
Floor bracket



PSD 003-060-150

005
Barrel bracket

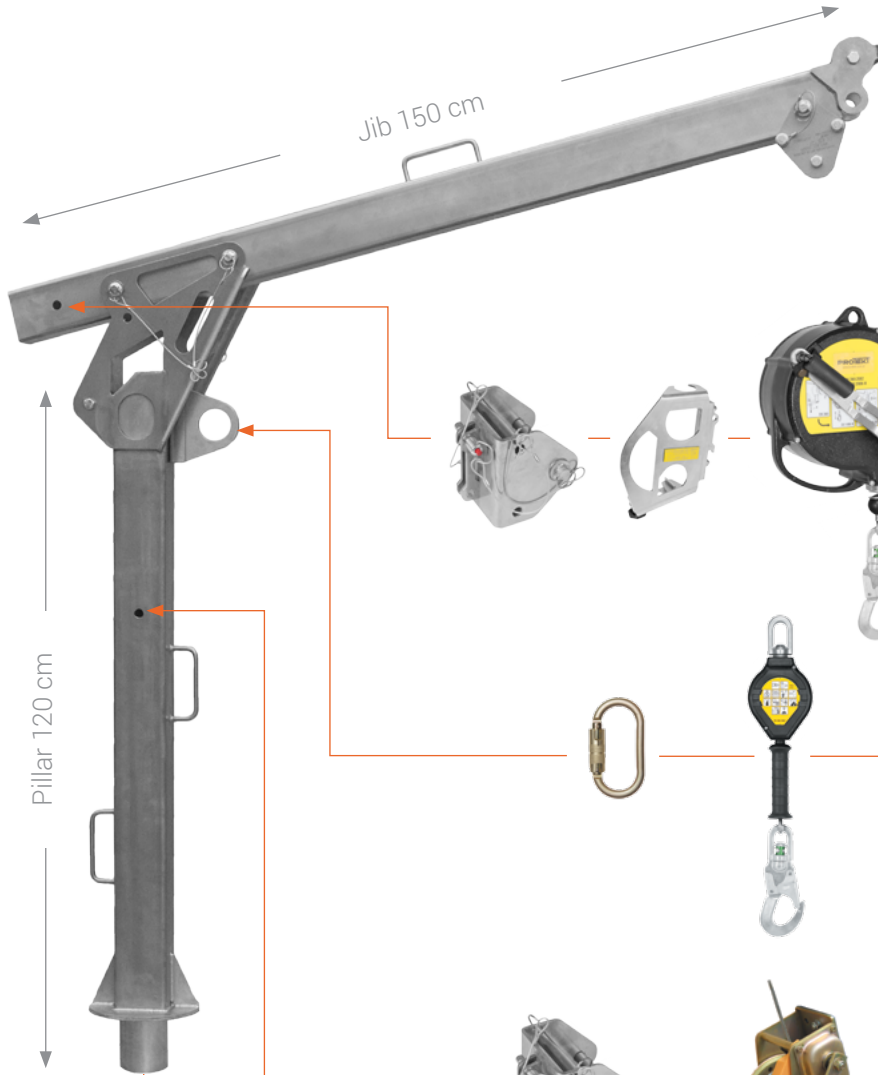


PSD 005-060-150

Set nr.4 ref. no.:



Komplete evacuation kit no. 1



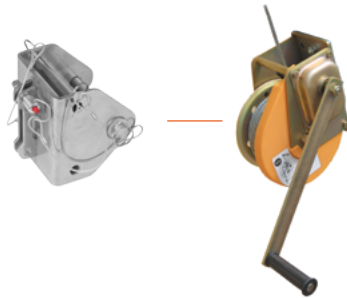
Cover AX PSD 801-120-150



Clamp device PSD 100-131-000
Adaptor PAD 100-310
Retractable type fall arrester CRW 200



Carabiner AZ 011T
Retractable type fall arrester CR 030

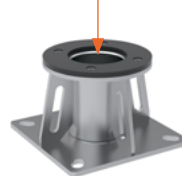
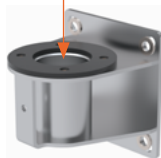


Clamp device PSD 100-131-000
Winch RUP 502-U 25

Wall bracket

Floor bracket

Barrel bracket



Kit ref. no.:

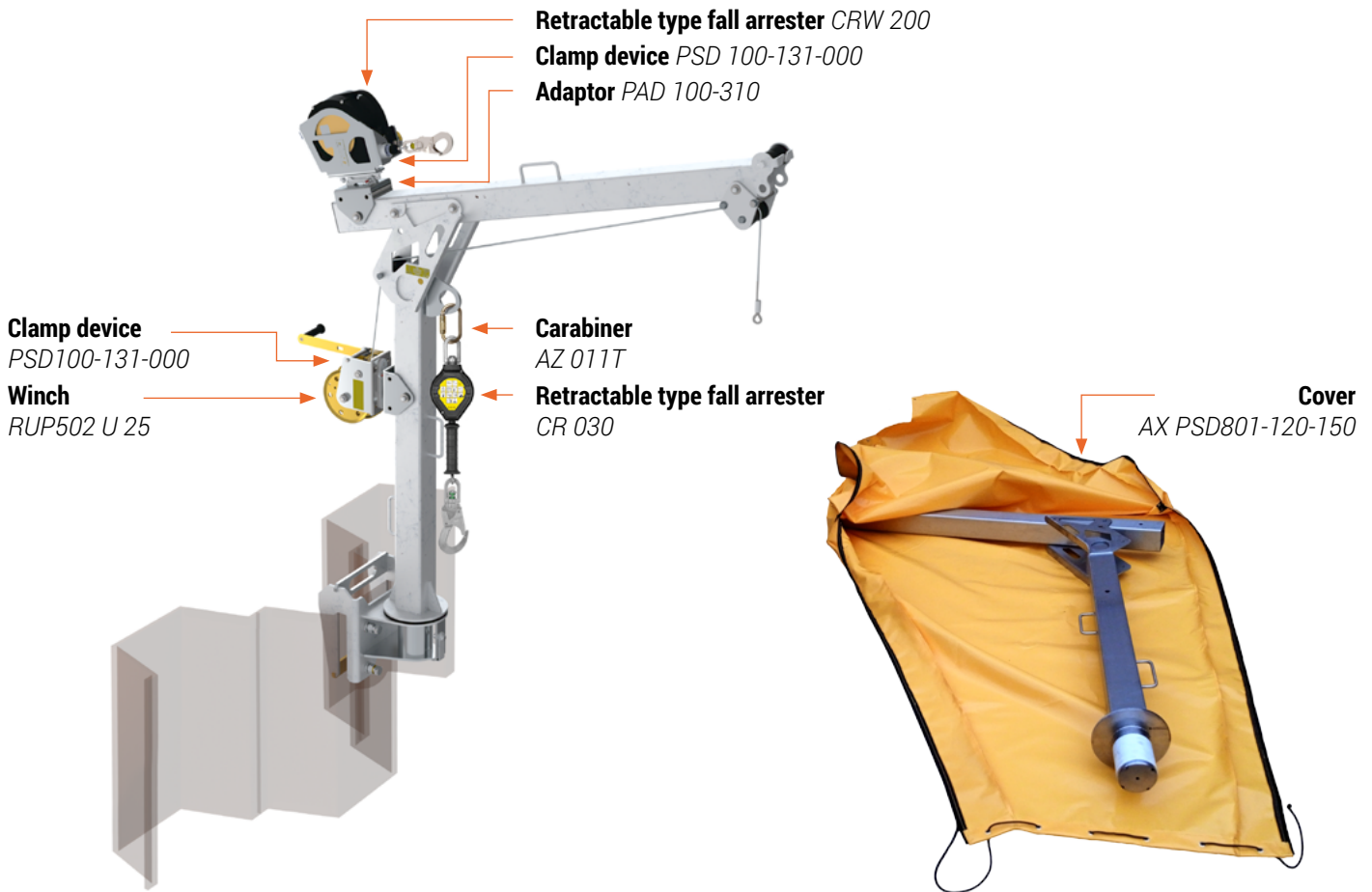
PSD 912-120-150

PSD 913-120-150

PSD 915-120-150



Komplete evacuation kit no. 1



The PSD stainless steel davit-based rescue and evacuation kit for outdoor use provides fall protection for three people at a same time. The kit is equipped with a cover made of yellow PVC cover protecting the set against unfavourable weather conditions and making it easier to see the place of installation.

The **first** person has access to the confined space (which has an access device such as a ladder, stairs, etc.) below the crane and is secured by the CRW 200 (retractable type fall arrester with evacuation function; working load 140 kg; working rope length: 15 m). The RUP 502-U (hand powered evacuation winch; working load 140 kg; working rope length 25 m) device is used as secondary safety device.

In case the confined space does not have an access device (ladder, stairs) it is possible to lower the person maximum 2 meters using RUP502-U device (the limitation results from the requirements of EN 1496/B) and additional retractable type/evacuation device (e.g. CRW 200). If it is necessary to lower the person more than 2 meters it is necessary to use RUP502-UT (hoist for lifting goods - without 2 meters lowering limit) with secondary safety device (e.g. CRW 200).

The **second** person (who operates the crane) is secured using the CR 030 fall arrester device (working load 140 kg; working cable length: 3 m). CR 030 device is connected with pillar anchor point using AZ 011T carabiner (with twist-lock).

If it is necessary to lower oneself to the injured person, the **third** person (rescuer) may use the two anchor points at the end of the jib to connect the rope access system.

Compatible devices

CRW 200



CRW 300



RUP 502-U / RUP 502-UT



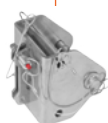
RUP 503



RUP 504



RUP 506

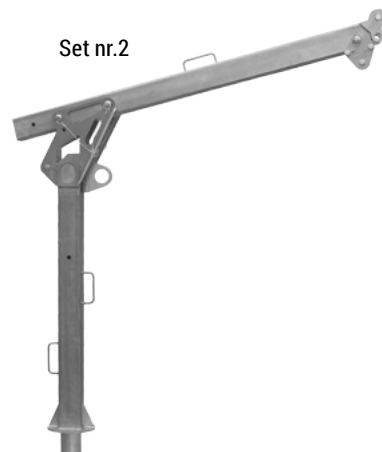


PSD 100-131-000

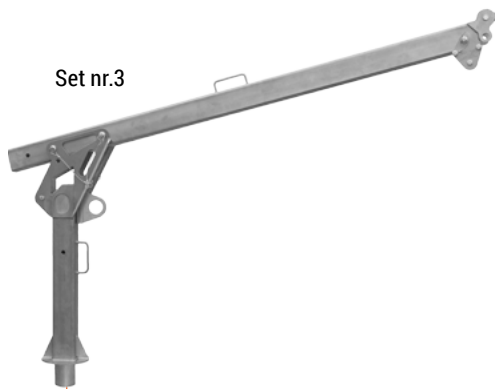
Set nr.1



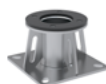
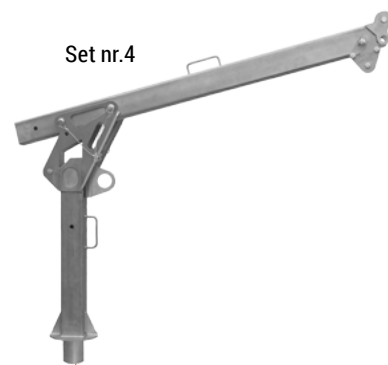
Set nr.2



Set nr.3



Set nr.4



Compatible devices



CRW 200 fall arrest device

EN 360 EN 1496/B

The CRW 200 is a combination of a fall arrest device and a rescue lifting device compliant with EN 360 and EN 1496/B. Its permissible working load is 140 kg. The device has a manual winch with lifting and lowering functions. To install on a stand, the appropriate PAD 100-310 mounting bracket must be attached. The carabiner has a fall indicator and the design does not require a shock absorber. With the ratio used in the mechanism, it is possible to make one turn of the drum per 8.8 turns of the winch's crank.



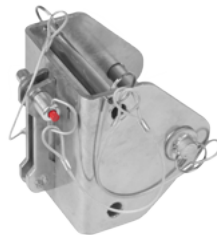
CRW 200 15 m

+



Adaptor
PAD100-310

+



Universal Clamp
PSD100-131-000

PARAMETERS

Length of rope / weight:	15 m / 11 kg
Diameter of the rope:	4,8 mm
Type of rope:	7x19 + IWRC
Mechanism ratio:	1 : 8,8
Permissible work load:	140 kg



CRW 300 fall arrest device

EN 360 EN 1496/B

The CRW 300 is a combination of a fall arrest device and a rescue lifting device compliant with EN 360 and EN 1496/B. Its permissible working load is 140 kg. The device has a manual winch with lifting and lowering functions. To install on a stand, the appropriate PAD 100-320 mounting bracket must be attached. The carabiner has a fall indicator and the design does not require a shock absorber. With the ratio used in the mechanism, it is possible to make one turn of the drum per 7,4 turns of the winch's crank.



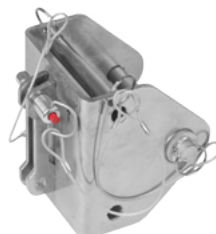
CRW 300 25 m

+



Adaptor
PAD100-320

+



Universal Clamp
PSD100-131-000

PARAMETERS

Length of rope / weight:	25 m / 15 kg
Diameter of the rope:	4,8 mm
Type of rope:	7x19 + IWRC
Mechanism ratio:	1 : 7,4
Permissible work load:	140 kg

Compatible devices



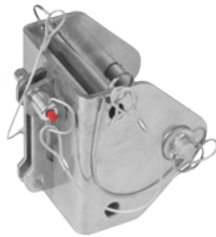
RUP 502-U cable winch

EN 1496/B

RUP 502-U is a winch equipped with a clamp for mounting on tripod leg. The winch is equipped with six-strand steel cable with natural fibre kern of 20 and 25 m in length and 6.3 mm in diameter; RUP 502-U is a component of rescue equipment. The device, can be lifted from a lower level onto a higher level or vice-versa. The descent distance cannot be more than 2 m. With the ratio used in the mechanism it is possible to make one turn of the drum per 5 turns of the winch's crank. The crank arm is available in 2 lengths which, depending of the variant chosen, enable torque adjustment. The RUP 502-U rescue device.



+



RUP 502-U 20 m
RUP 502-U 25 m

Universal Clamp
PSD100-131-000

PARAMETERS

Length of rope / weight:	20 m / 13 kg 25 m / 14 kg
Diameter of the rope:	6,3 mm
Type of rope:	6x19 + NFC
Mechanism ratio:	1 : 5
Permissible work load:	140 kg



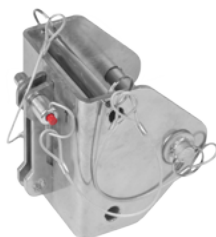
RUP 503-U cable winch

EN 1496/B

RUP 503-U is a winch equipped with clamp for mounting on tripod leg. The winch is equipped with six-strand steel cable with natural fibre kern, available in options of 25 m, 35 m, 45 m, 50 m in length and 6.3 mm in diameter; RUP 503-U is a component of rescue equipment. Using the device, a casualty can be lifted from a lower level onto a higher level or vice-versa. The descent distance cannot be more than 2 m; With the ratio used in the mechanism it is possible to make one turn of the drum per 7.2 turns of the winch's crank; Crank arm can be disassembled for easier transport. The RUP 503-U rescue device complies with EN 1496/B.



+



RUP 503-U 25 m
RUP 503-U 35 m
RUP 503-U 45 m
RUP 503-U 50 m

Universal Clamp
PSD100-131-000

PARAMETERS

Length of rope / weight:	25 m / 22,5 kg 35 m / 23,9 kg 45 m / 25,2 kg 50 m / 26,5 kg
Diameter of the rope:	6,3 mm
Type of rope:	6x19 + NFC
Mechanism ratio:	1 : 7,2
Permissible work load:	200 kg

Compatible devices

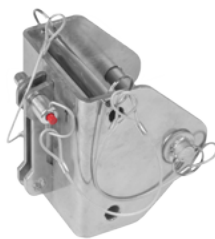


RUP 504 cable single-phase 230V electric winch

A 230V AC 1-phase electric winch equipped with a wire rope of the diameter of 6 mm and the length of 30 m rolled on a drum. The device is used to lift goods. Admissible working load while lifting goods (WLL): 500 kg. If an additional TU 415 / TU 416 block is used, the working load when lifting goods (WLL) can be increased to 1000 kg. The device can be used to lift and descend people and to evacuate them when an additional self-holding device of the WR / CR / CRW series is used. Admissible working load when lifting / descending people (WLL): 200 kg. A 230V 1-phase alternating power supply. The kit includes a cable for connection to the mains with an EU plug. Operating speed: 7 m/min (when using TU 415 / TU 416 block – 3.5 m/min). The device is equipped with a tie plate (RUP 506-000-001) as well as with a UTB connector (AT 017-330).



RUP 504 30 m



Universal Clamp
PSD100-131-000

PARAMETERS

Length of rope / weight:	30 m / 21 kg
Diameter of the rope:	6 mm
Type of rope:	steel
Dimensions:	490 x 170 x 180 mm
Permissible work load:	500 kg – for cargo 200 kg – for the persons

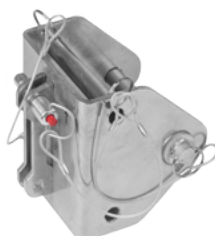


RUP 506 cable battery powered winch

Electric battery winch equipped with a wire rope of 5 mm in diameter and of the length of 15 m, rolled on a drum. The device is used to lift goods. Admissible working load while lifting goods (WLL): 140 kg. If an additional TU 415 / TU 416 block is used, the working load when lifting goods (WLL) can be increased to 250 kg. The device can be used to lift and descend people and to evacuate them when an additional self-holding device of the WR / CR / CRW series is used. Admissible working load when lifting / descending people (WLL): 140 kg. Battery backup. The kit includes two 18V 4.0Ah batteries together with a charger. The battery life at full load equals ~ 20...25 minutes. Operating speed: 4 m/min (when using TU 415 / TU 416 block – 2 m/min). The device is equipped with a tie plate (RUP 506-000-001) as well as with a UTB connector (AT 017-330).



RUP 506 15 m



Universal Clamp
PSD100-131-000

PARAMETERS

Length of rope / weight:	15 m / 10 kg
Diameter of the rope:	5 mm
Type of rope:	steel
Dimensions:	288 x 122 x 144 mm
Permissible work load:	140 kg – for cargo 140 kg – for the persons

Example of use PSD

